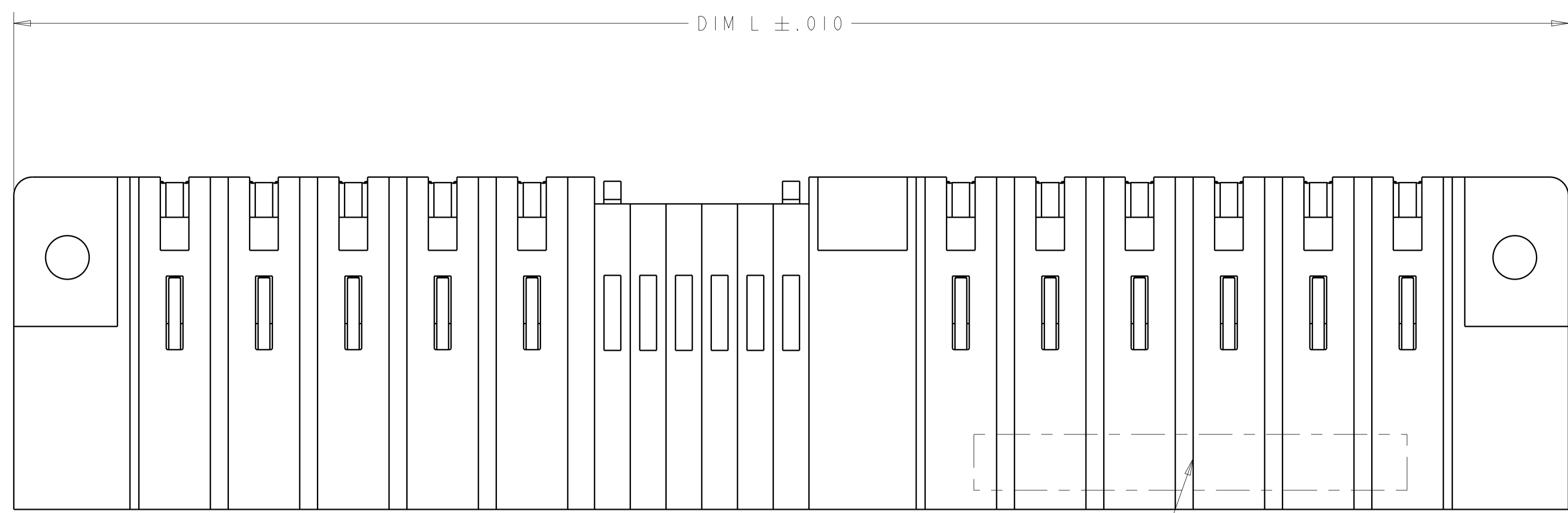
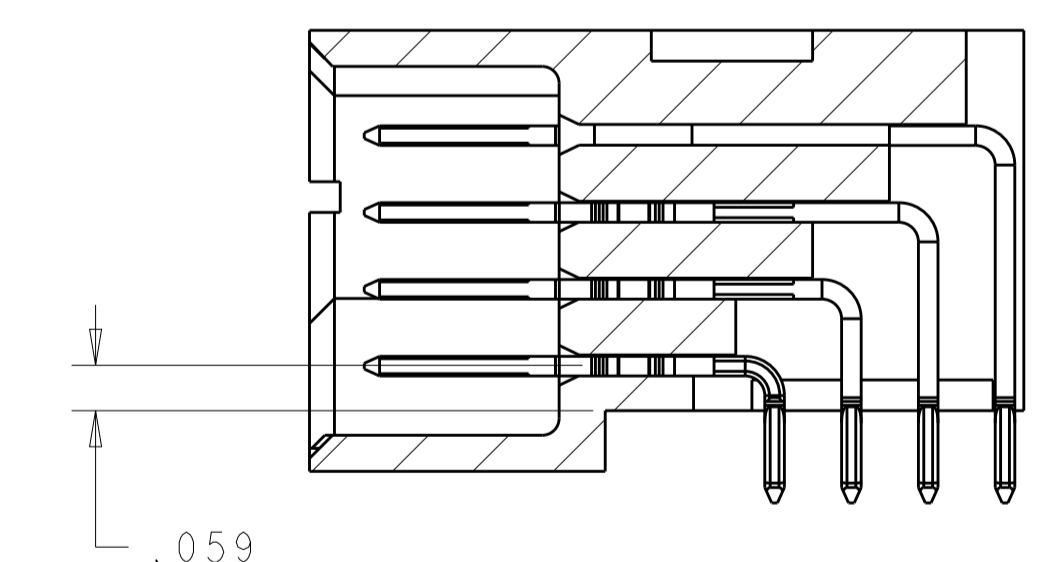
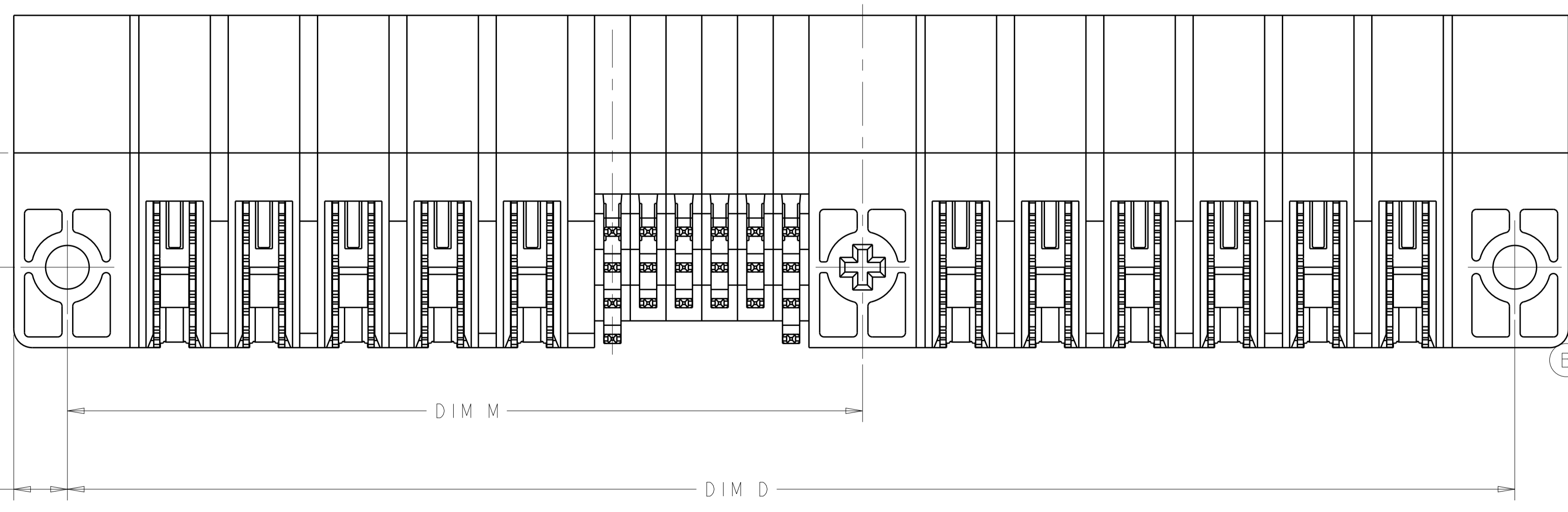
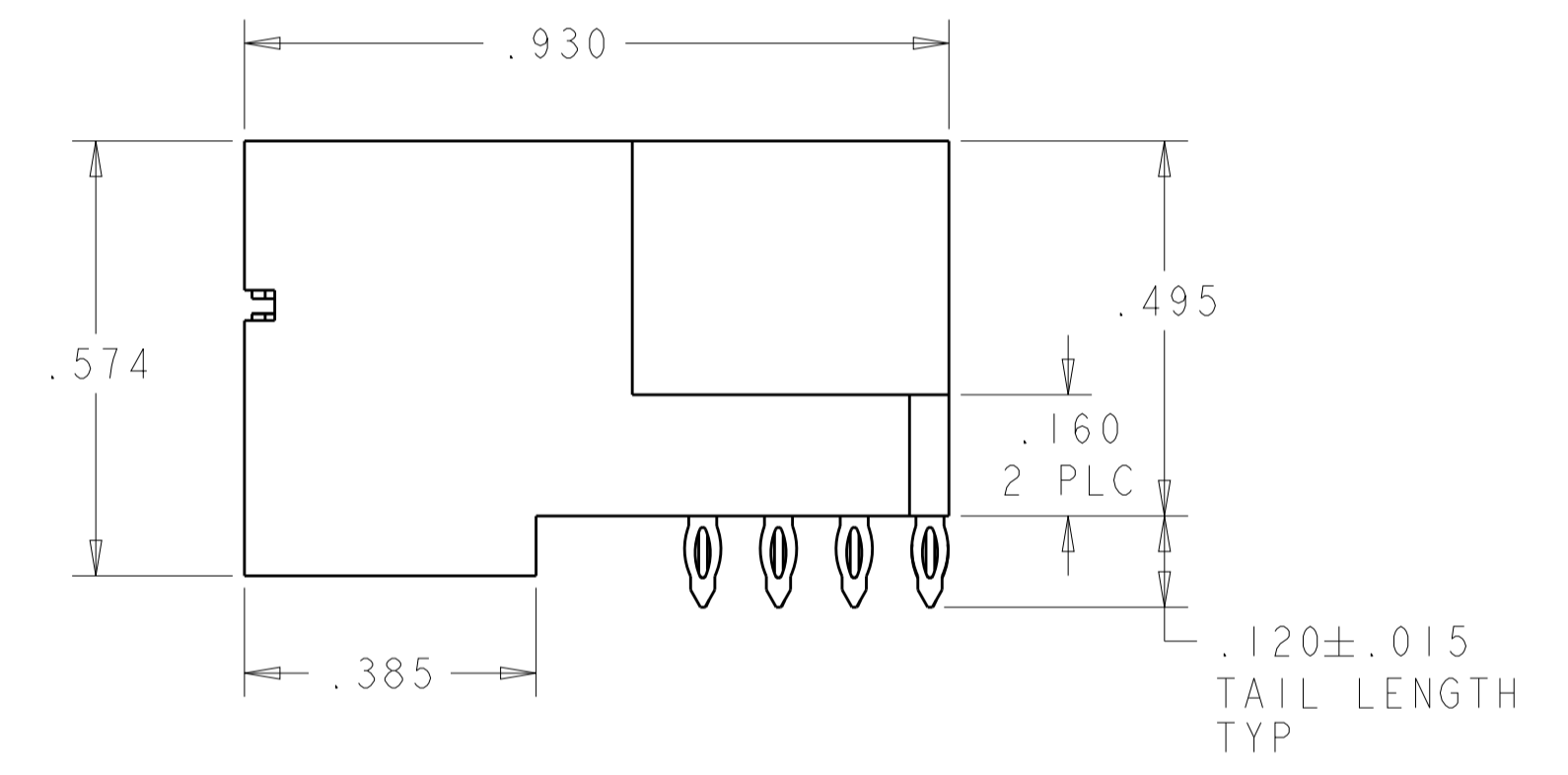
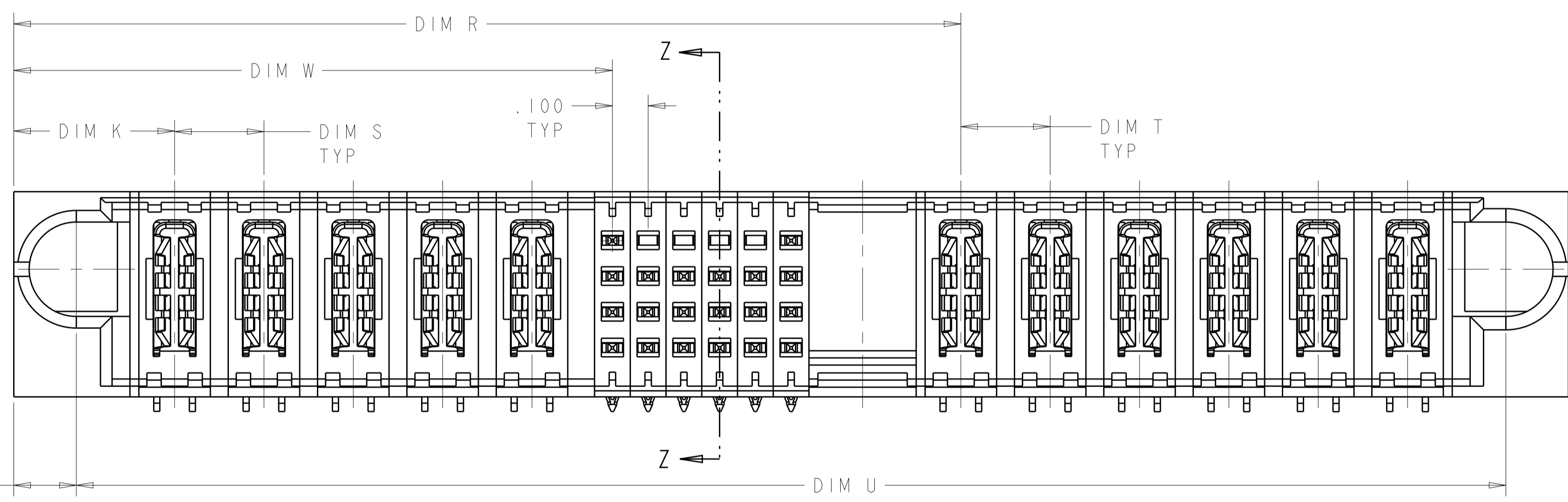


LOC	DIST	REVISIONS					
		P	LTN	DESCRIPTION	DATE	DWN	APVD
ES	00	B1		PER REV ECR-13-004638	20MAR2013	ML	SZ



- 1 PART NUMBER, AND DATE CODE MARKED IN AREA SHOWN. MARKING ON BOTH SIDES PERMITTED FOR PARTS UNDER 2.00 LONG.
- 2 MATERIAL:  
HOUSING - GLASS FILLED HIGH TEMP THERMO PLASTIC, UL94 V-0  
SIGNAL CONTACT - COPPER ALLOY  
POWER CONTACT - HIGH CONDUCTIVITY COPPER ALLOY
- 3 CONTACT PLATING: NOBLE METAL PLATING ON CONTACT FUNCTIONAL AREA OF POWER AND SIGNAL CONTACTS
- 4 MECHANICAL CONNECTOR KEEP OUT ZONE.
- 5 DATUM AND BASIC DIMENSIONS ESTABLISHED BY CUSTOMER.
- 6 PCB - ALL HOLE DIAMETERS ARE FINISHED HOLE SIZES.
- 7 PCB - .0453±.0010 DRILLED HOLES PLATED WITH .0003 MIN Sn OVER .001 TO .003 Cu PLATING TO ACHIEVE A .040 HOLE.



SECTION Z-Z  
SCALE 4:1

1.700	.250	.250	1.350	.875	1.750	-	2.050	.450	2P + 16S + 2P	6450630-3
4.450	.350	.250	2.100	1.425	4.500	-	4.800	.475	3ACP + 24S + 10P	6450630-2
4.000	.250	.250	2.650	1.675	4.050	2.225	4.350	.450	5P + 24S + 1M + 6P	6450630-1
U	S	T	R	W	D	M	L	K	DESCRIPTION	PART NUMBER

DIMENSIONS: INCHES		TOLERANCES UNLESS OTHERWISE SPECIFIED:		DWN D. ZHU 26APR2007		CHK S. ZHAO 4SEP2006		Tyco Electronics Corporation Shanghai, P.R.China, 200233	
		0 PLC ±.1 2 PLC ±.01 3 PLC ±.005 4 PLC ±.0020 ANGLES ±.075		APVD S. YAO		NAME PRODUCT SPEC 108-1973 APPLICATION SPEC		RIGHT ANGLE HEADER MULTI-BEAM XL W/GUIDES MOUNTING HOLES, PRESS FIT	
MATERIAL		FINISH		WEIGHT		SIZE		RESTRICTED TO	
2		3		-		A100779C=6450630		-	
CUSTOMER DRAWING								SCALE 4:1 SHEET 1 OF 2 REV B1	

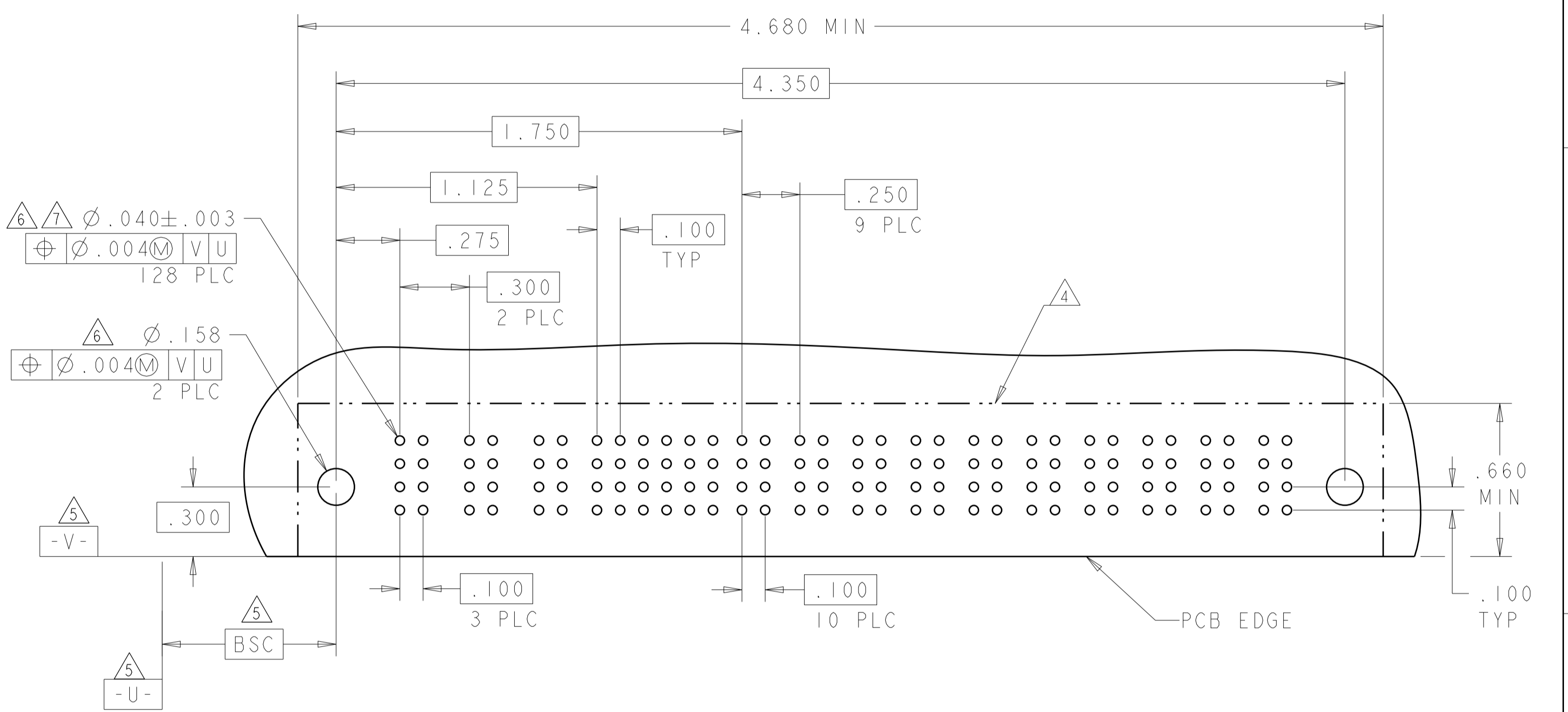
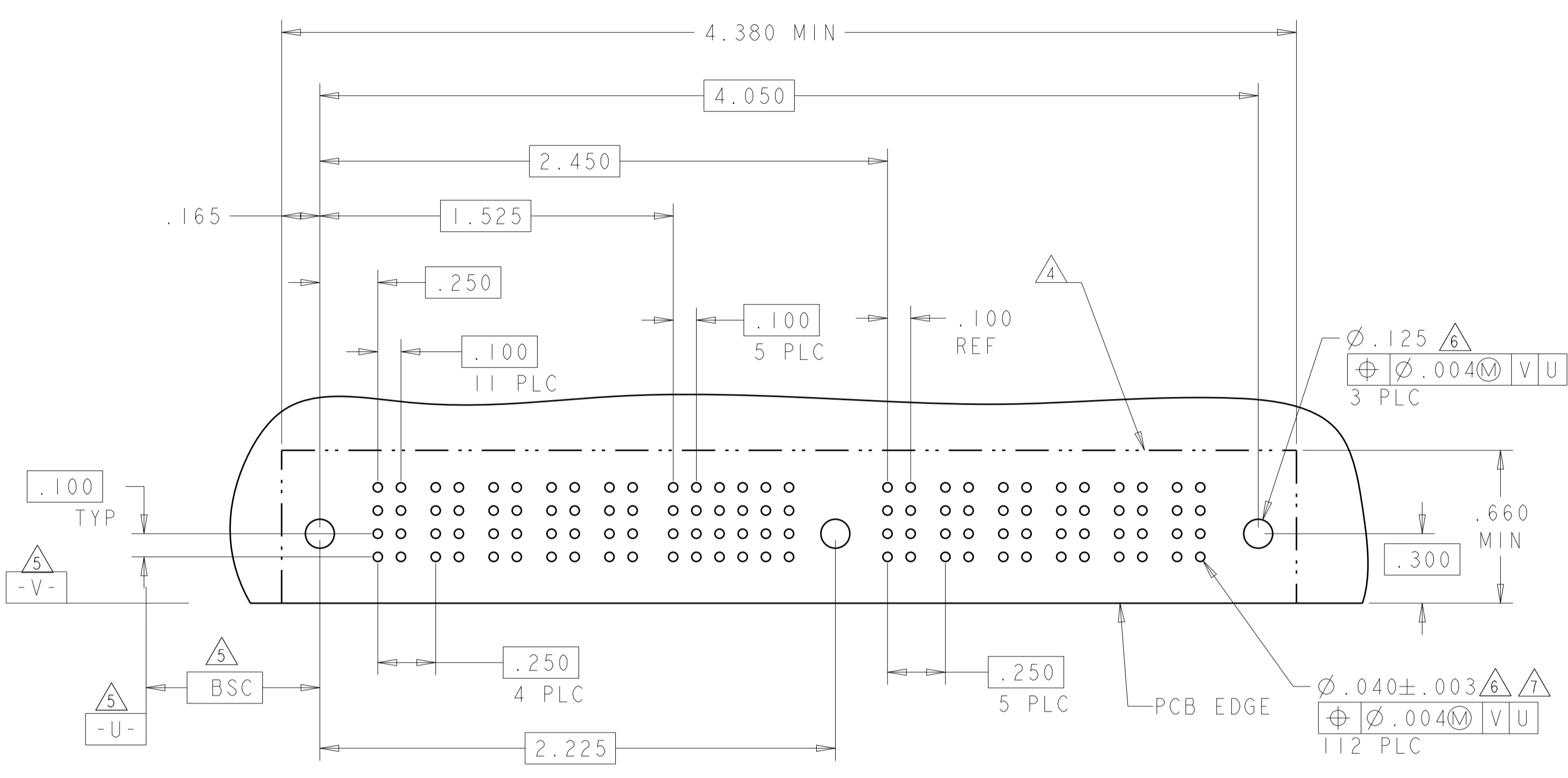
LOC	DIST	REV	DATE	APPD
ES	00			

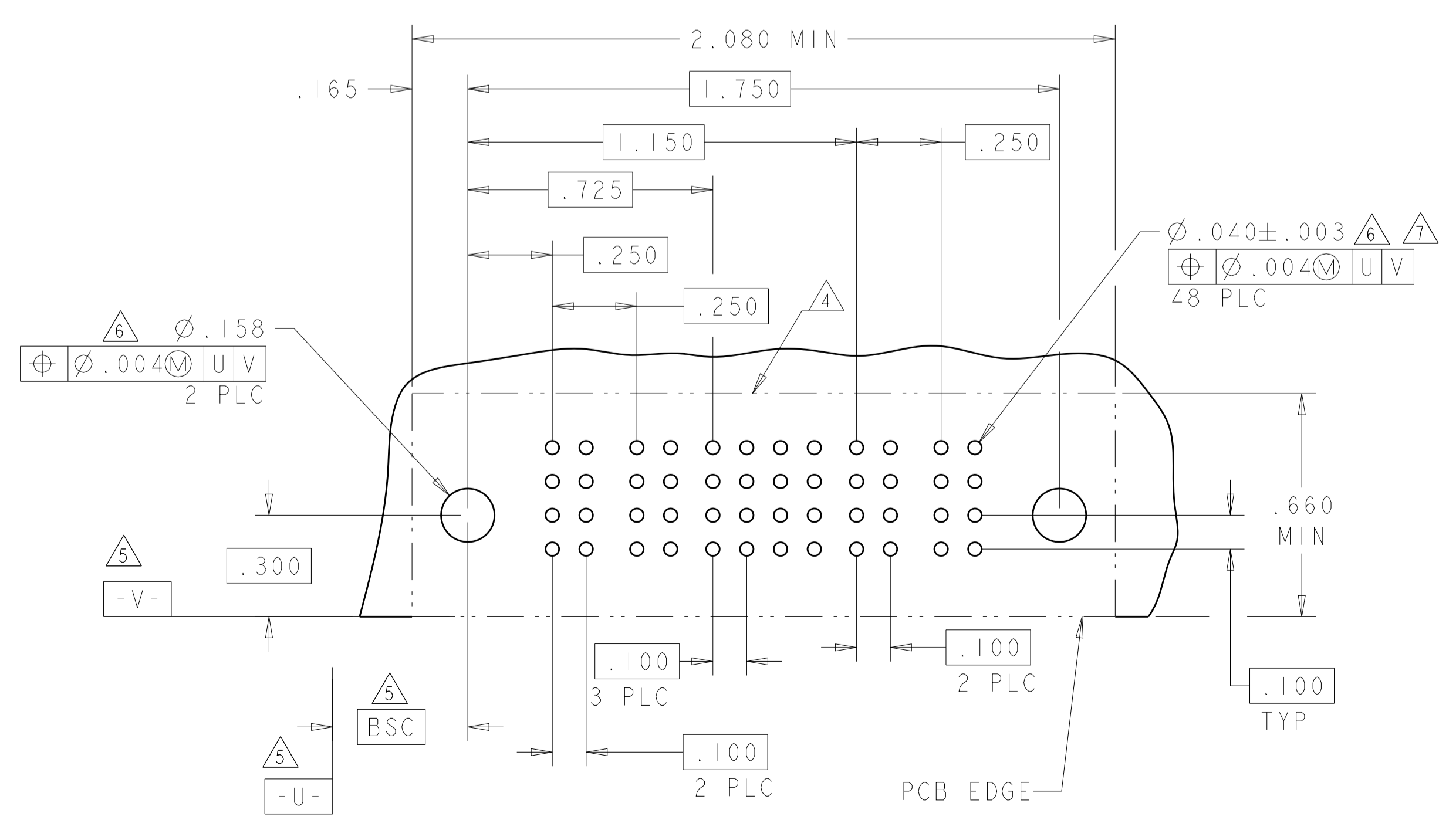
REVISIONS			
REV	DATE	DESCRIPTION	BY
-	-	SEE SHEET 1	-

PART NUMBER	ROWS	POWER					SIGNAL						CM	POWER					
		P1	P2	P3	P4	P5	1	2	3	4	5	6		P6	P7	P8	P9	P10	P11
6450630-1	D C B A	PT	PT	PT	PT	PT	Z5	Z5	Z5	Z5	Z5	Z5	PT	PT	PT	PT	PT	PT	
							Y5	Y5	Y5	Y5	Y5	Y5							
							R5	R5	R5	R5	R5	R5							
5P + 24S + 1M + 6P							O5	O5	O5	O5	O5	O1							

PART NUMBER	ROWS	POWER			SIGNAL						POWER										
		P1	P2	P3	1	2	3	4	5	6	P4	P5	P6	P7	P8	P9	P10	P11	P12	P13	
6450630-2	D C B A	PT	PT	PT	Z5	Z5	Z5	Z5	Z5	Z5	PT	PT	PT	PT	PT	PT	PT	PT	PT	PT	
					Y5	Y5	Y5	Y5	Y5	Y5											
					R5	R5	R5	R5	R5	R5											
3ACP + 24S + 10P					O1	O5	O5	O5	O5	O5											



PART NUMBER	ROWS	POWER		SIGNAL				POWER	
		P1	P2	1	2	3	4	P3	P4
6450630-3	D C B A	PT	PT	Z1	Z1	Z1	Z5	PT	PT
				Y1	Y1	Y1	Y5		
				R1	R1	R1	R5		
2P + 16S + 2P				O1	O1	O1	O5		



Z1	MLBF	D
Y1	MLBF	C
R1	MLBF	B
O1	MLBF	A
Z5	STD	D
Y5	STD	C
R5	STD	B
O5	STD	A
CODE	MATING SEQUENCE	ROW
PT	STD	
CODE <th>MATING SEQUENCE</th> <th>ROW</th>	MATING SEQUENCE	ROW
	POWER	
	SIGNAL	

<small>THE INFORMATION CONTAINED HEREIN IS UNCLASSIFIED EXCEPT WHERE SHOWN OTHERWISE. IT IS THE PROPERTY OF TYCO ELECTRONICS CORPORATION AND IS TO BE CONTAINED AND CONTROLLED BY THE USER'S ORGANIZATION UNLESS OTHERWISE SPECIFIED.</small>		DWN: D. ZHU CHK: S. ZHAO APVD: S. YAO	26APR2007 4SEP2006	Tyco Electronics Corporation Shanghai, P.R.China, 200233
DIMENSIONS: INCHES 		TOLERANCES UNLESS OTHERWISE SPECIFIED: 0 PLC ±.1 1 PLC ±.01 2 PLC ±.01 3 PLC ±.005 4 PLC ±.002 ANGLES ±.020		
MATERIAL: - FINISH: -		PRODUCT SPEC: 108-1973 APPLICATION SPEC: 114-13038 WEIGHT: - CUSTOMER DRAWING: -		
SIZE: A1 CAGE CODE: 100779 DRAWING NO: 6450630		RESTRICTED TO: - SCALE: 4:1 SHEET: 2 OF 2 REV: B1		

单击下面可查看定价，库存，交付和生命周期等信息

[>>TE Connectivity\(泰科\)](#)