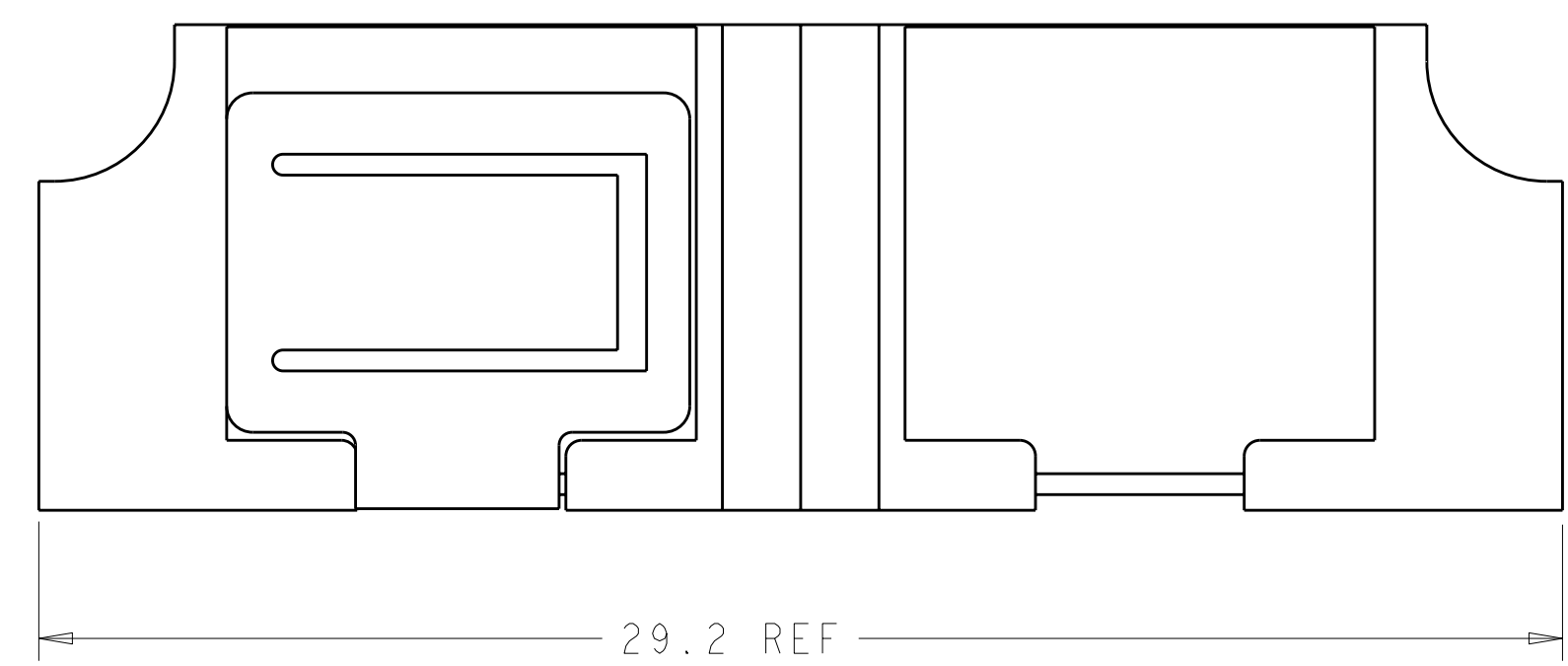
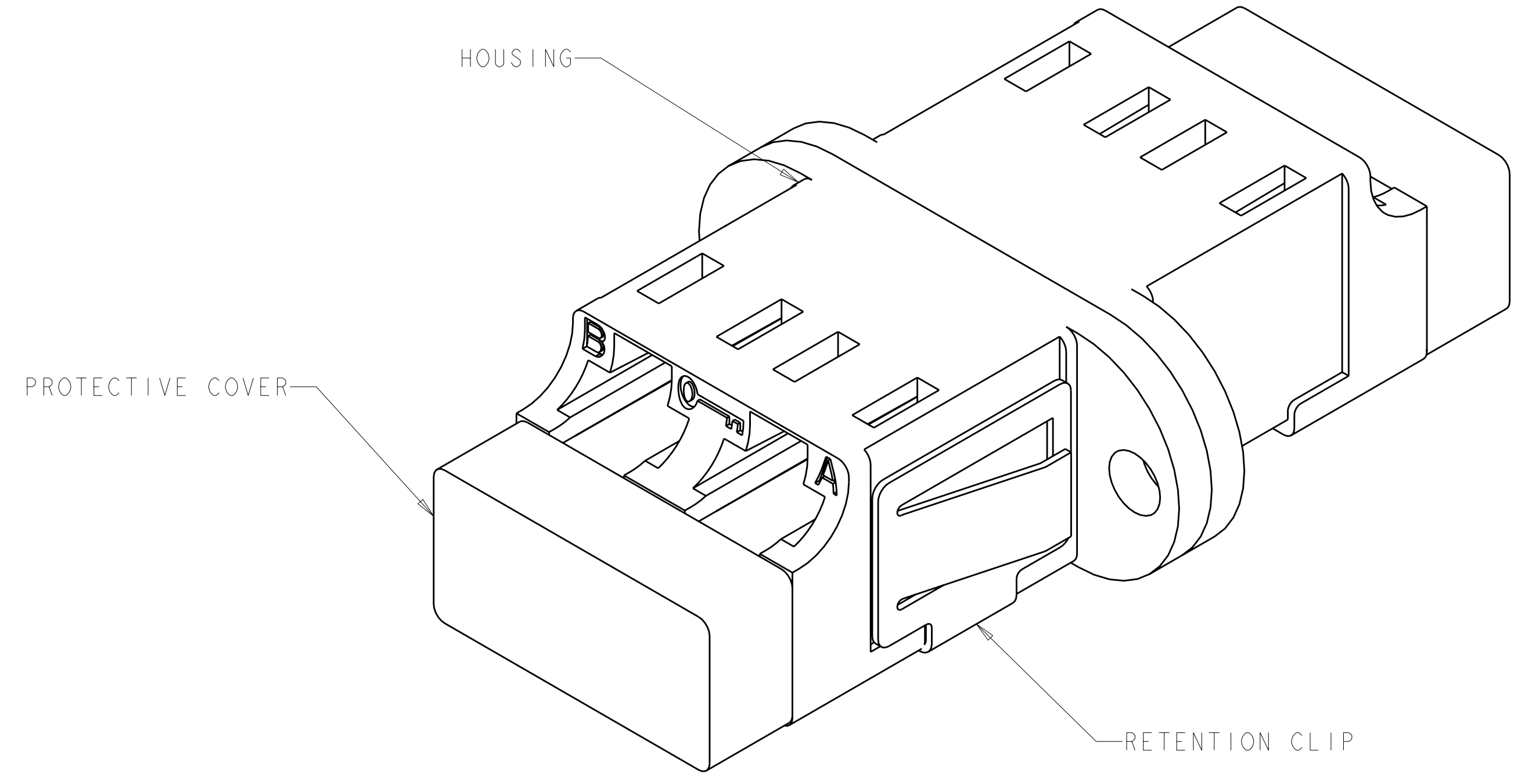
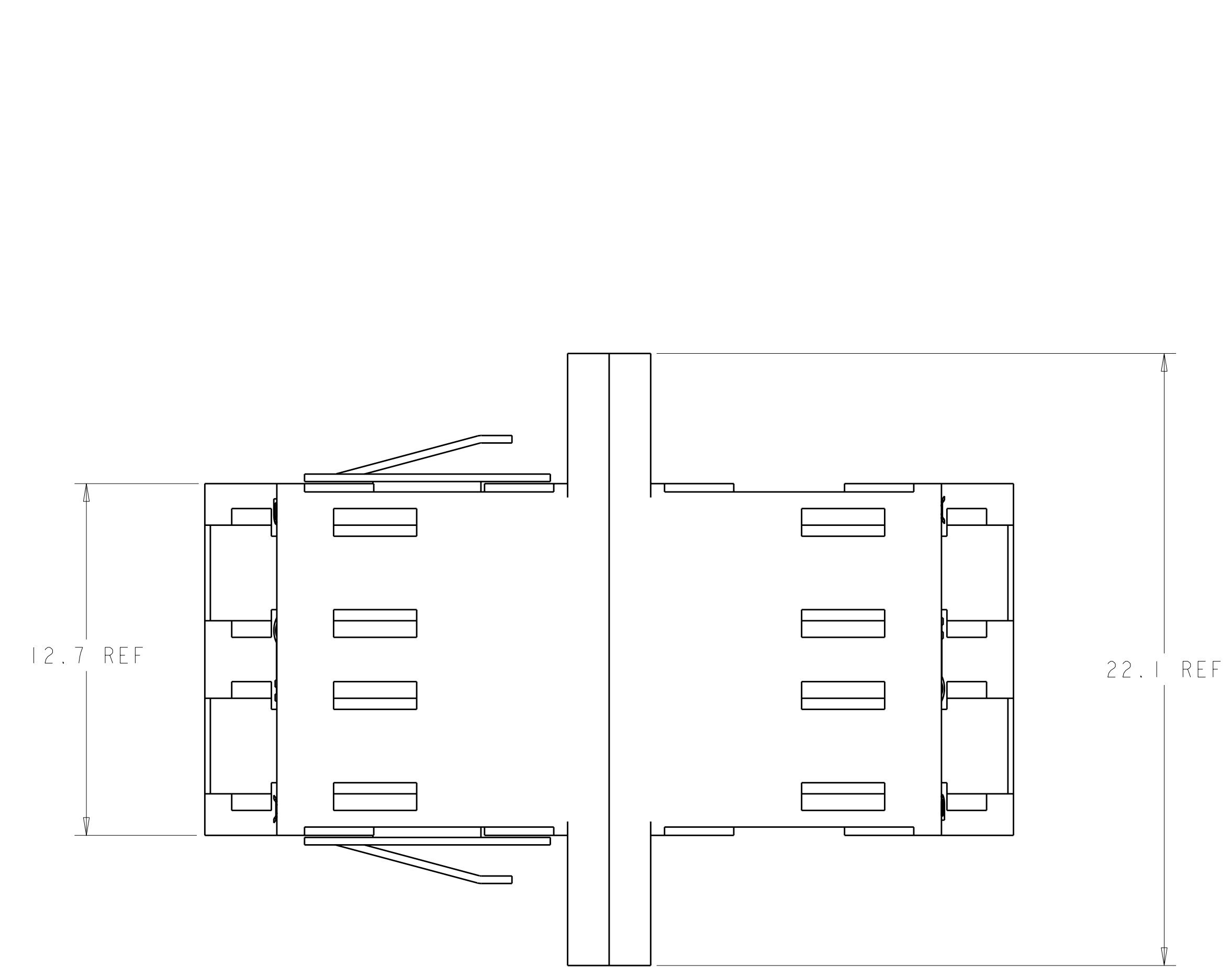
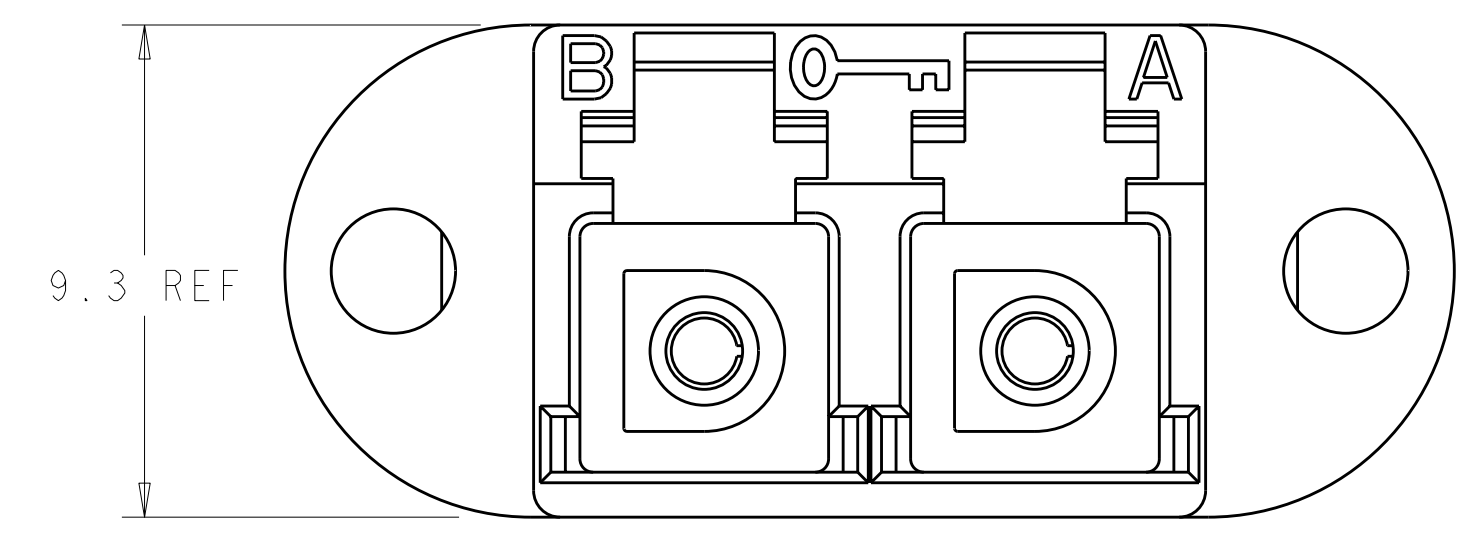


LOC	DIST	REV	DATE	BY	CHK	APPV	DESCRIPTION	DATE	DWN	APVD
CE	00	B	22NOV2006	ESM	DHR		ECO-06-025929			

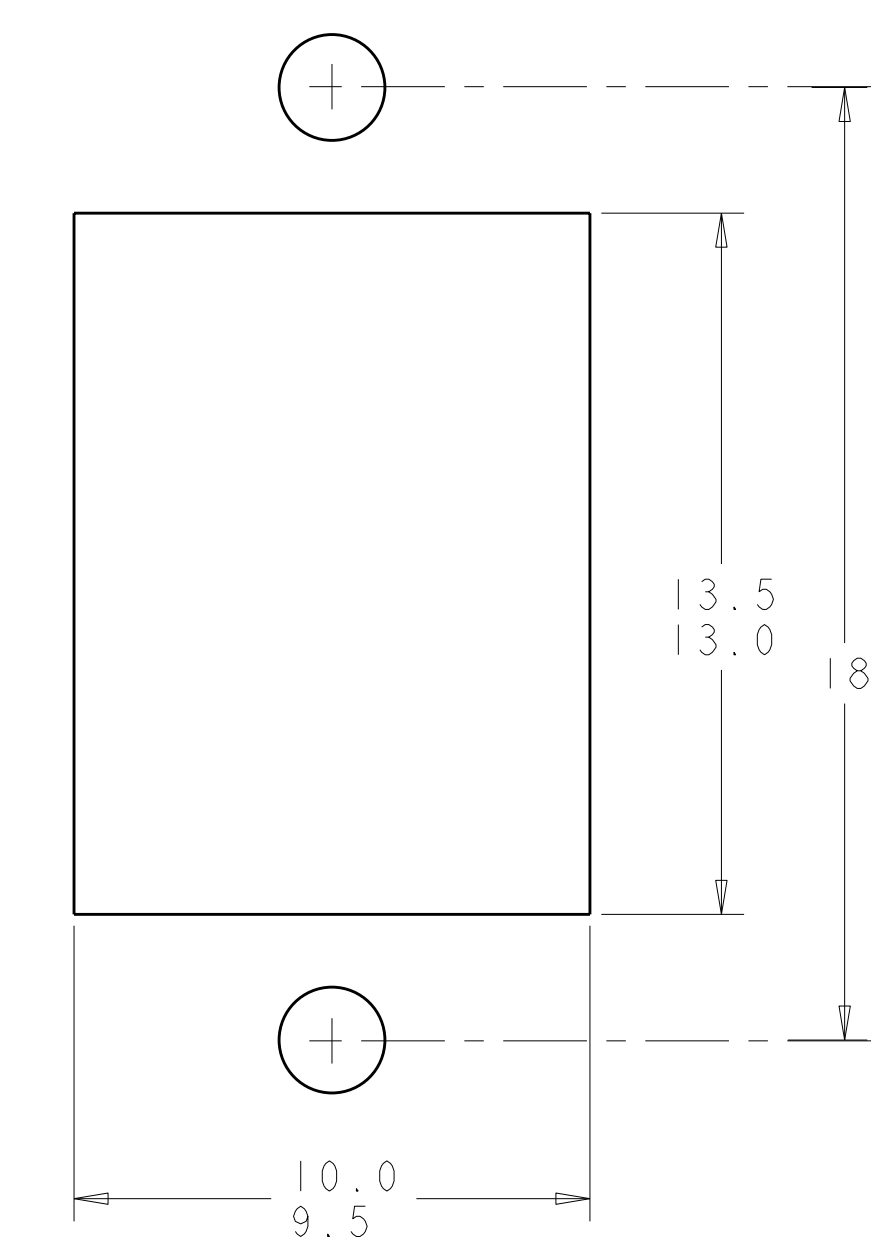
△ MATERIAL:
 HOUSINGS: THERMOPLASTIC, PPE-PS*
 ALIGNMENT SLEEVES: CERAMIC
 PROTECTIVE COVERS: THERMOPLASTIC ELASTOMER*
 RETENTION CLIP: SST
 * UL 94 V-0 RATED AT QUALIFYING THICKNESS



PROTECTIVE COVERS
 NOT SHOWN



(RED -1 SHOWN)



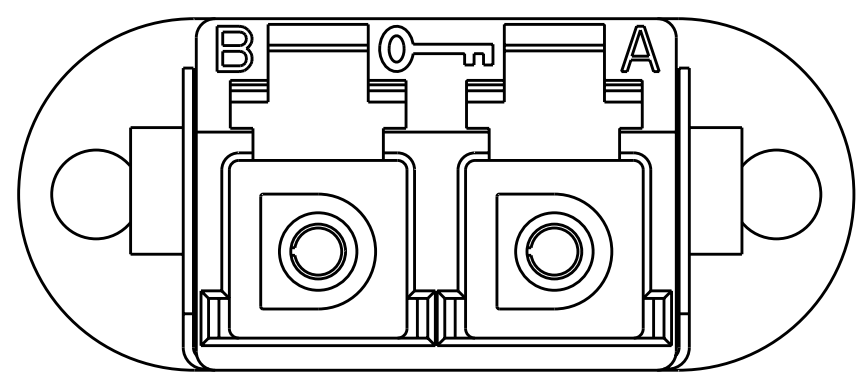
RECOMMENDED PANEL CUTOUT
 MAX PANEL THK. 1.7

SLATE	I-1828073-0
ORANGE	1828073-9
VIOLET	1828073-8
BROWN	1828073-7
AQUA	1828073-6
ROSE	1828073-5
BLUE	1828073-4
GREEN	1828073-3
YELLOW	1828073-2
RED	1828073-1
HOUSING COLOR	PART NO.

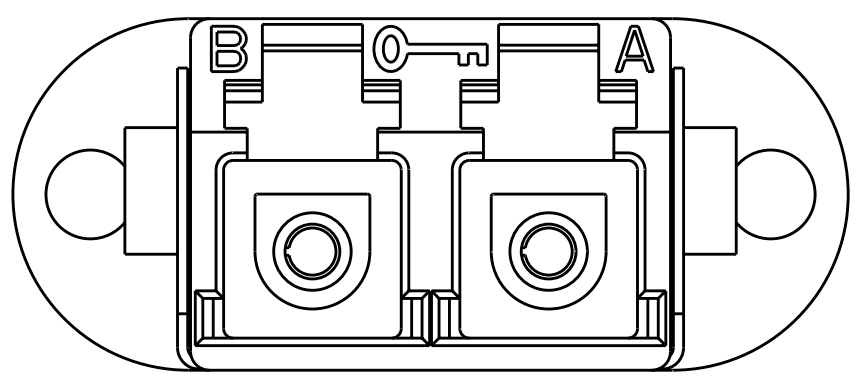
DIMENSIONS: mm 		TOLERANCES UNLESS OTHERWISE SPECIFIED: 0 PLC ± 1 PLC ± 2 PLC ± 3 PLC ± 4 PLC ± ANGLES ± FINISH		DWN E. HOPKINS 04AUG2005 CHK D. ERDMAN 04AUG2005 APVD D. BAECHTLE 04AUG2005 PRODUCT SPEC APPLICATION SPEC WEIGHT CUSTOMER DRAWING		NAME LC SECURE ADAPTER ASSEMBLY, FLANGED SIZE CAGE CODE DRAWING NO. RESTRICTED TO A100779C-1828073 SCALE 4:1 SHEET 1 OF 2 REV B	
Tyco Electronics Harrisburg, PA 17105-3608							

THIS DRAWING IS UNPUBLISHED. RELEASED FOR PUBLICATION
 BY TYCO ELECTRONICS CORPORATION, ALL RIGHTS RESERVED.

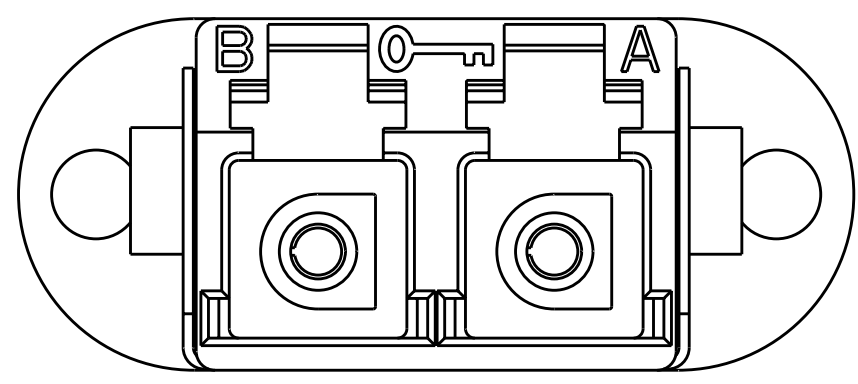
LOC	DIST	REV	DATE	BY	APPD
CE	00				
		1			



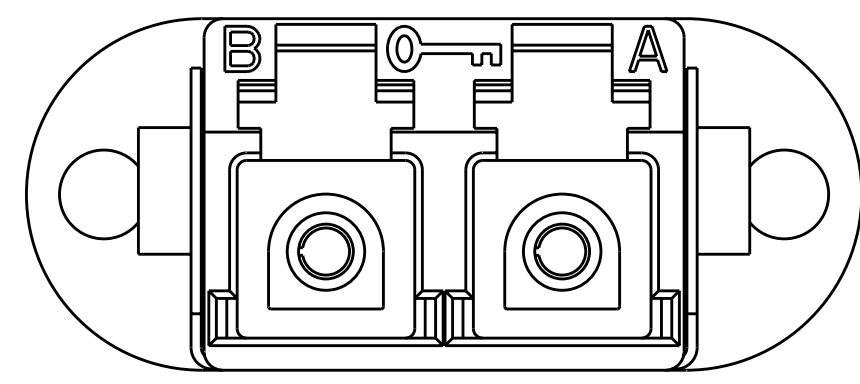
1828073-1
RED



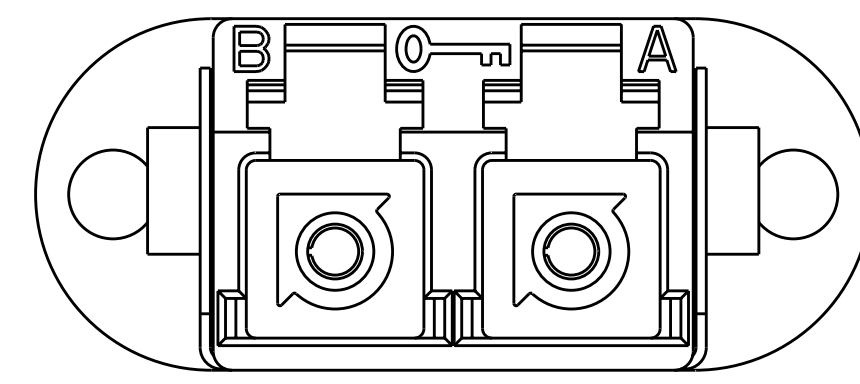
1828073-2
YELLOW



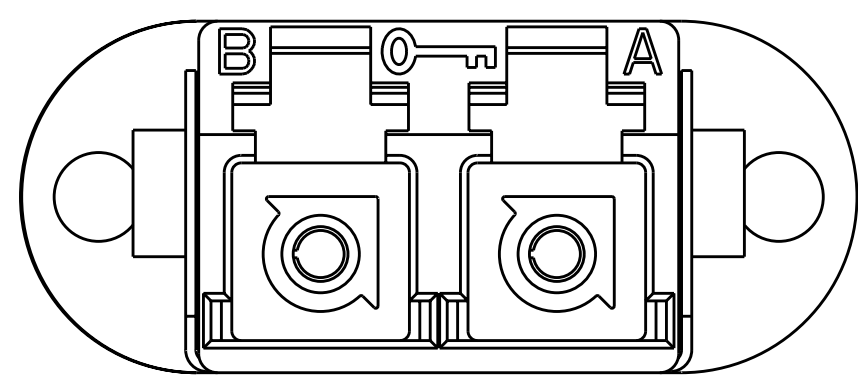
1828073-3
GREEN



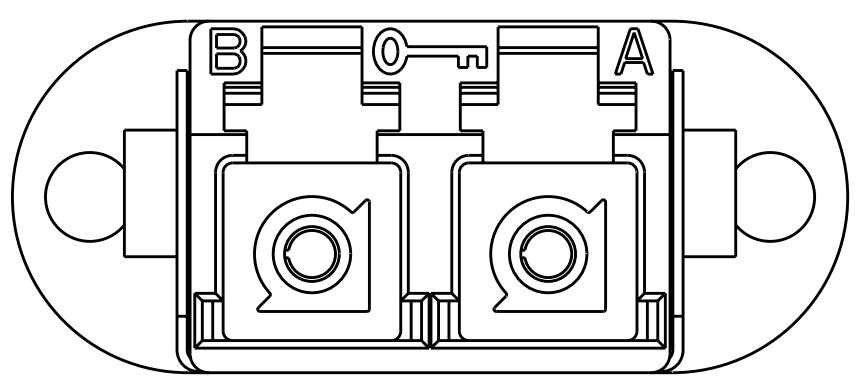
1828073-4
BLUE



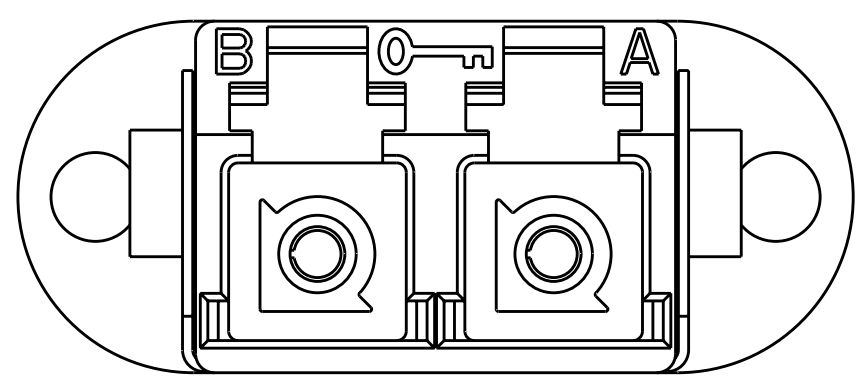
1828073-5
ROSE



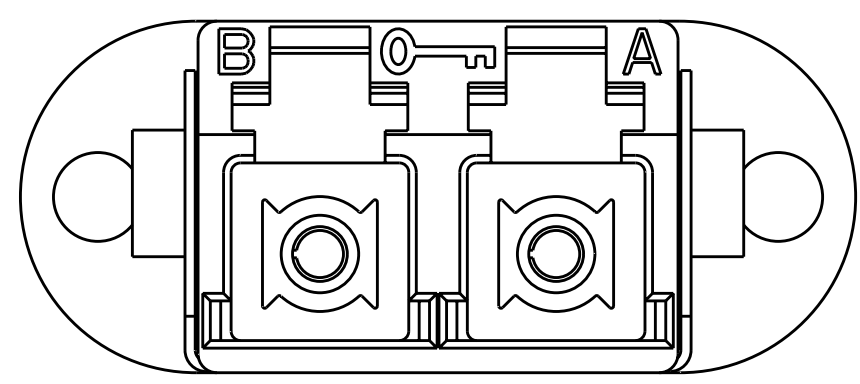
1828073-6
AQUA



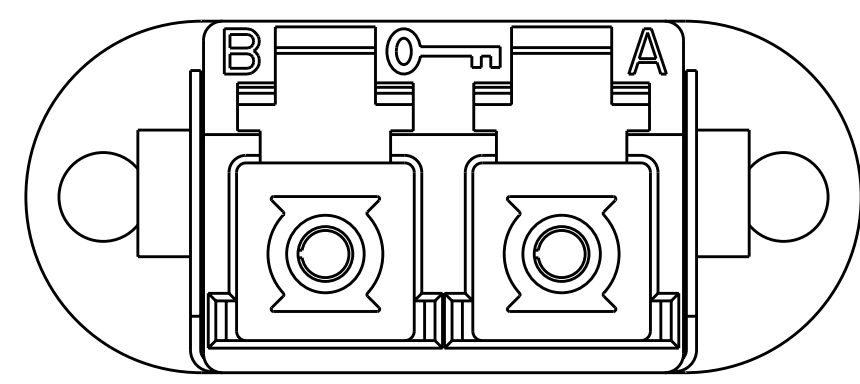
1828073-7
BROWN



1828073-8
VIOLET



1828073-9
ORANGE



1-1828073-0
SLATE

<small>THIS DRAWING IS UNPUBLISHED. RELEASED FOR PUBLICATION BY TYCO ELECTRONICS CORPORATION. IT IS SUBJECT TO CHANGE WITHOUT NOTICE AND WITHOUT OBLIGATION. SHOULD BE CONTACTED FOR THE LATEST REVISION.</small>		DWN: E. HOPKINS 04AUG2005 CHK: D. ERDMAN 04AUG2005 APVD: D. BAECHTLE 04AUG2005	tyco Electronics Tyco Electronics Harrisburg, PA 17105-3608
DIMENSIONS: mm 	TOLERANCES UNLESS OTHERWISE SPECIFIED: 0 PLC ± 1 PLC ± 2 PLC ± 3 PLC ± 4 PLC ± ANGLES ± FINISH	NAME: LC SECURE ADAPTER ASSEMBLY, FLANGED PRODUCT SPEC: APPLICATION SPEC: WEIGHT: CUSTOMER DRAWING	SIZE: A 00779 C=1828073 SCALE: 5:1 SHEET: 2 OF 2 REV: B

单击下面可查看定价，库存，交付和生命周期等信息

[>>TE Connectivity\(泰科\)](#)