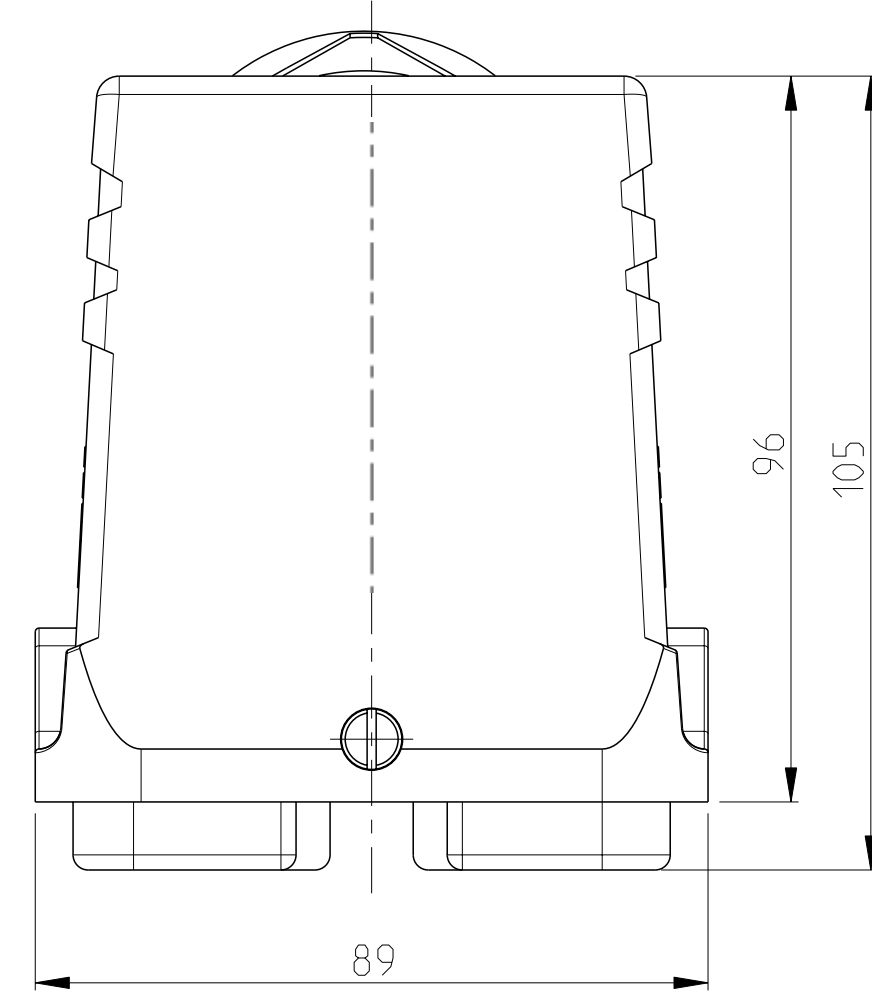
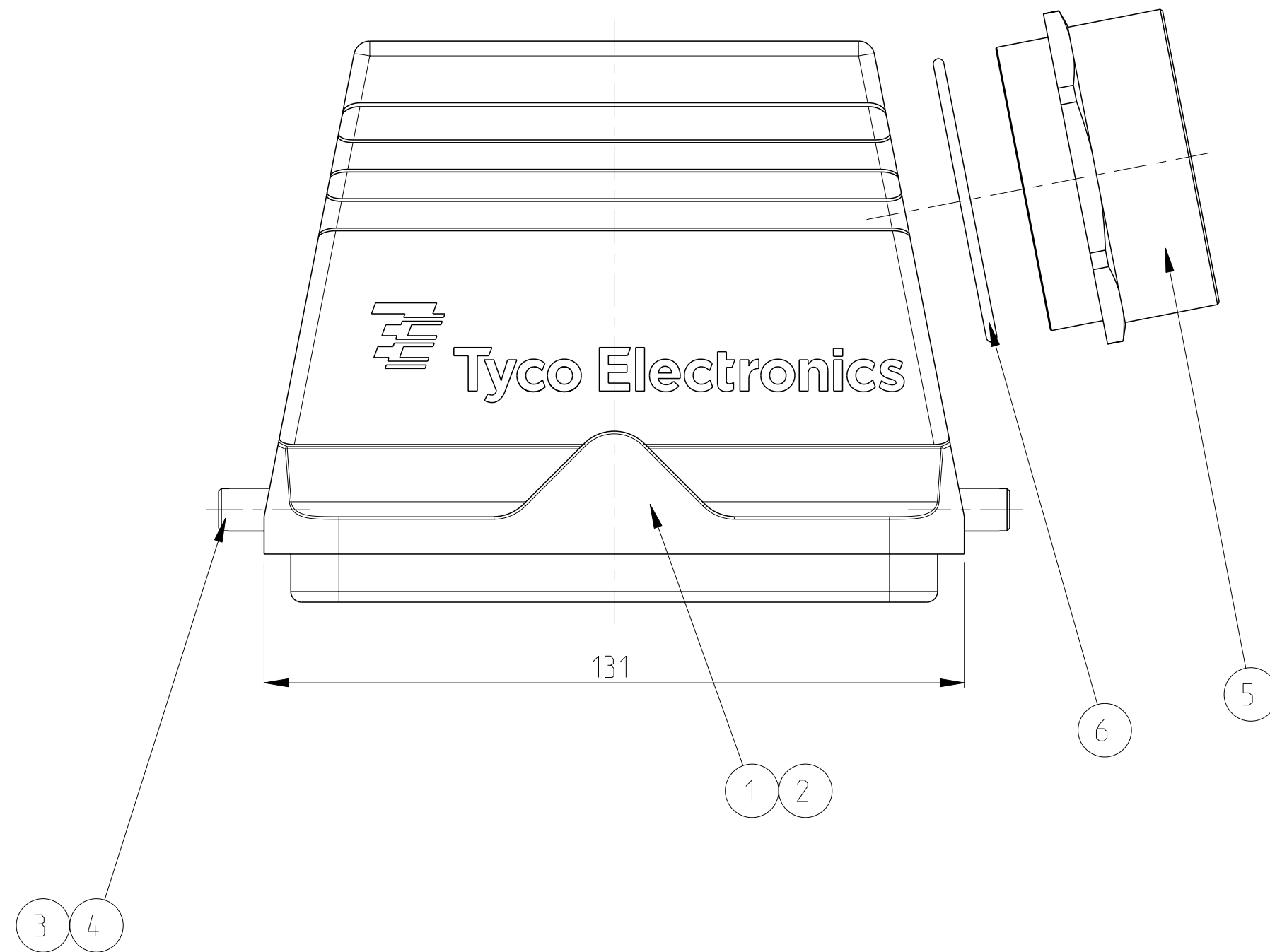


THIS DRAWING IS UNPUBLISHED. RELEASED FOR PUBLICATION 2006  
 © COPYRIGHT 2006 BY - ALL RIGHTS RESERVED.

REVISIONS					
P	LTR	DESCRIPTION	DATE	DWN	APVD
A3		RELEASED AS PER ECR-09-003532.	16.02.2009	AR	ST
A4		REVISED PER ECR-16-016768	18AUG2017	AP	MKO

NOTES

- 1 PART SHALL BE FREE AND CLEAN OF BURRS AND OTHER FOREIGN MATERIAL
- 2 PACKAGING: QUANTITY 3 PIECES
- 3 VARNISHING INSIDE HOUSING NOT REQUIRED



OBSOLETE

1		O RING	NEOPRENE		BLACK	6	PG42
1		ADAPTOR	BRASS	NICKEL PLATED	BLUE	5	PG42
2		CLP BOLT	V2A	BLANK		4	
2		CLIP BOLT	STAINLESS STEEL	ZINK PLATED	BLUE	3	
1		HOOD HB-K	ALU	ALUMINIUM OXID	BLACK	2	
1		HOOD HB	ALU		GREY	1	
2-7(A3)	1-7	DESCRIPTION	MATERIAL	SURFACE	COLOR	ITEM	NOTES
HB.48.STS-GR.1.42.Z							
HB-K.48.STS-GR.1.42.Z							

THIS DRAWING IS A CONTROLLED DOCUMENT.		DWN R.SCHNEIDER 27OCT2008	TE Connectivity	
		CHK T.SCHNURPFEL 27OCT2008		
DIMENSIONS: mm	TOLERANCES UNLESS OTHERWISE SPECIFIED:	APVD	NAME HOOD HB.48 HB.STS.48	
	0 PLC ± 1 PLC ± 2 PLC ± 3 PLC ± 4 PLC ± ANGLES ±° FINISH	PRODUCT SPEC	SIZE A2	
MATERIAL		APPLICATION SPEC	CAGE CODE 00779	DRAWING NO C-1102378
		WEIGHT	RESTRICTED TO	
		CUSTOMER DRAWING	SCALE 5:1	SHEET 1 OF 1
			REV A4	

单击下面可查看定价，库存，交付和生命周期等信息

[>>TE Connectivity\(泰科\)](#)