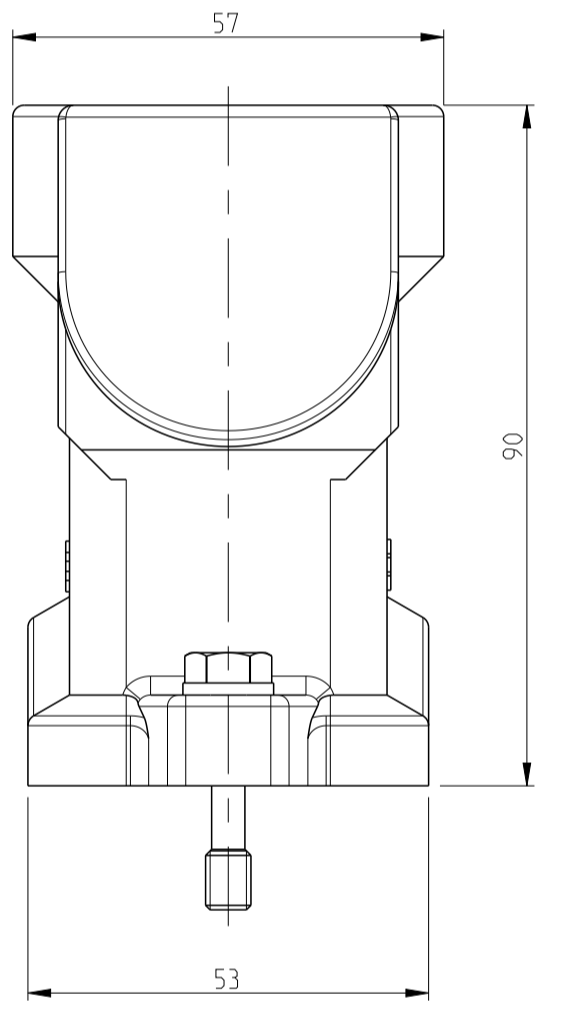
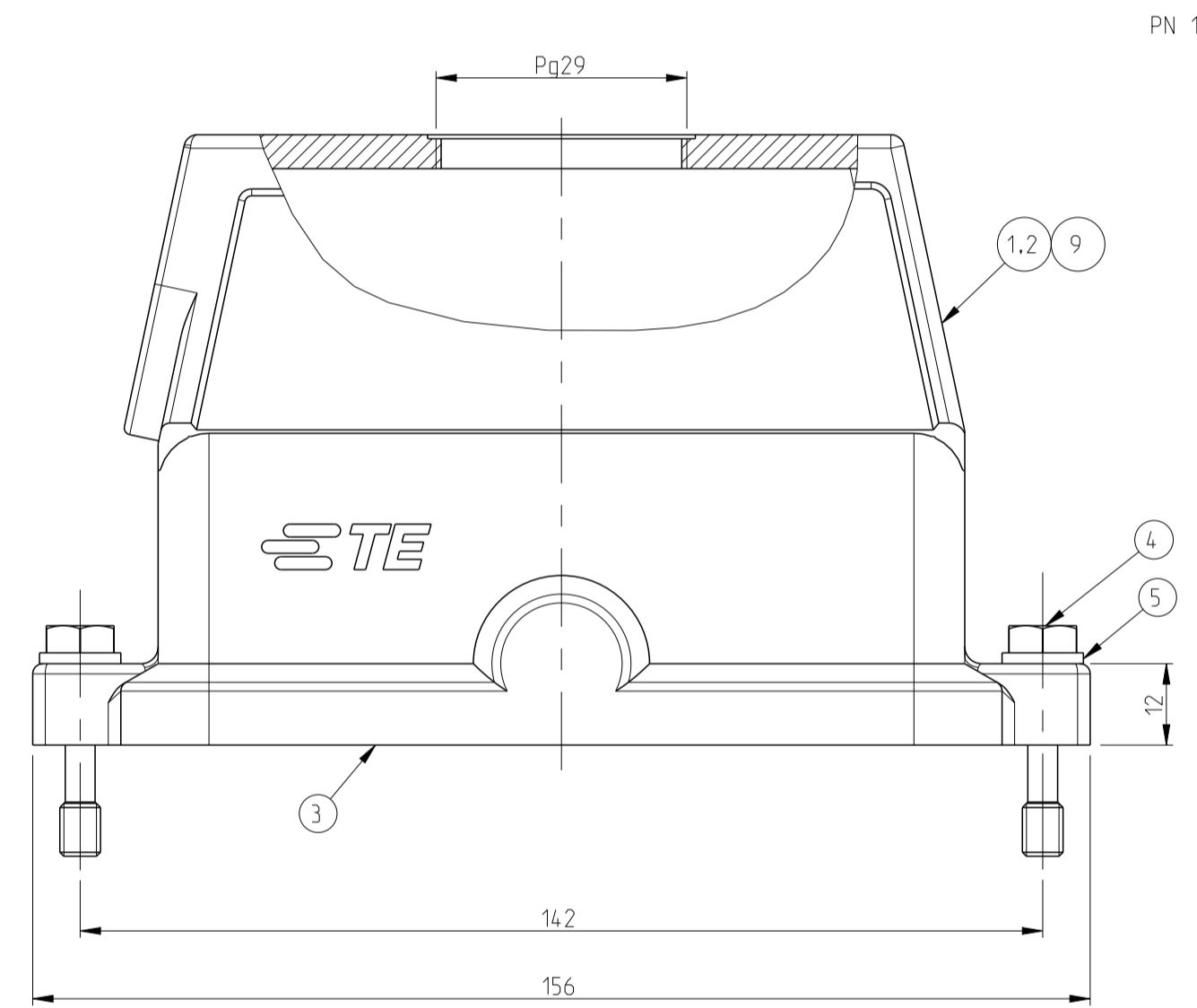
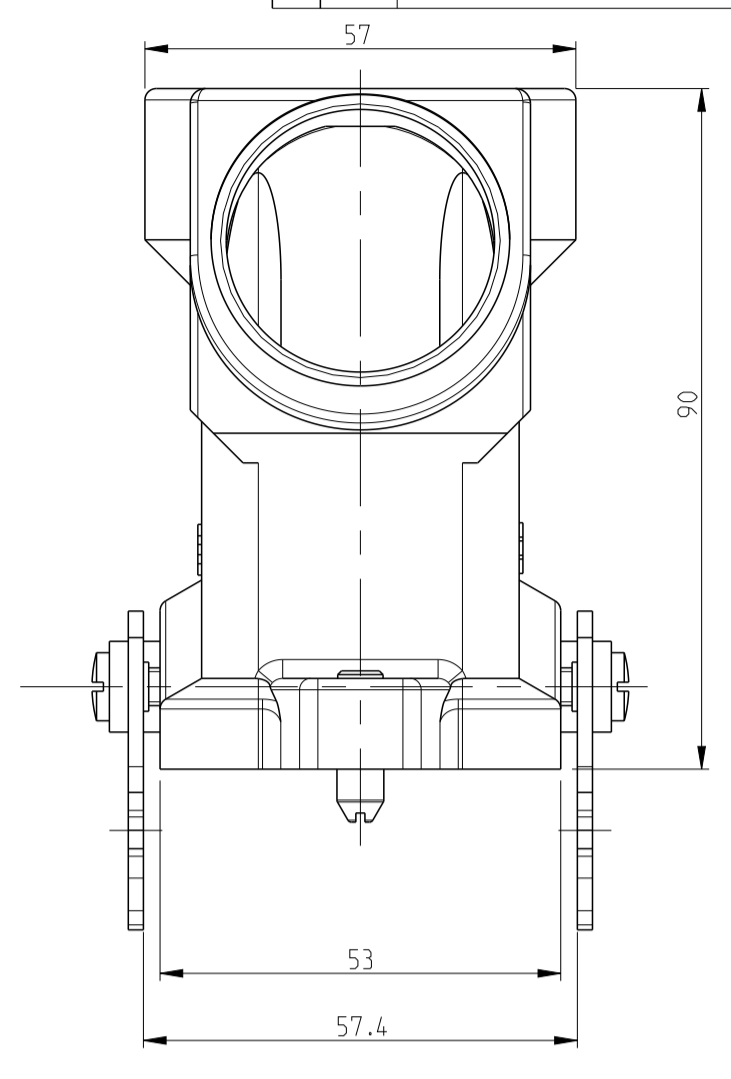
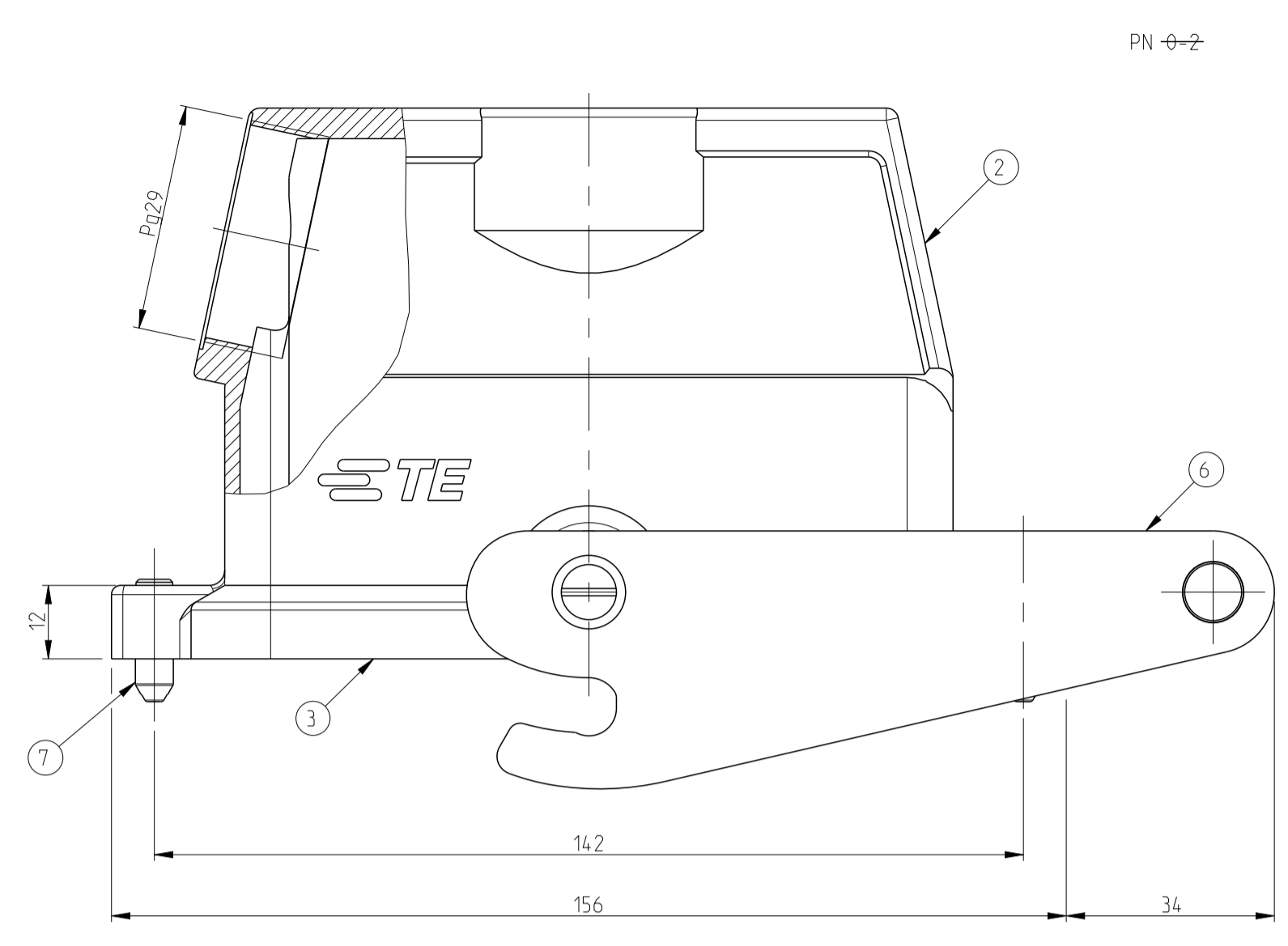
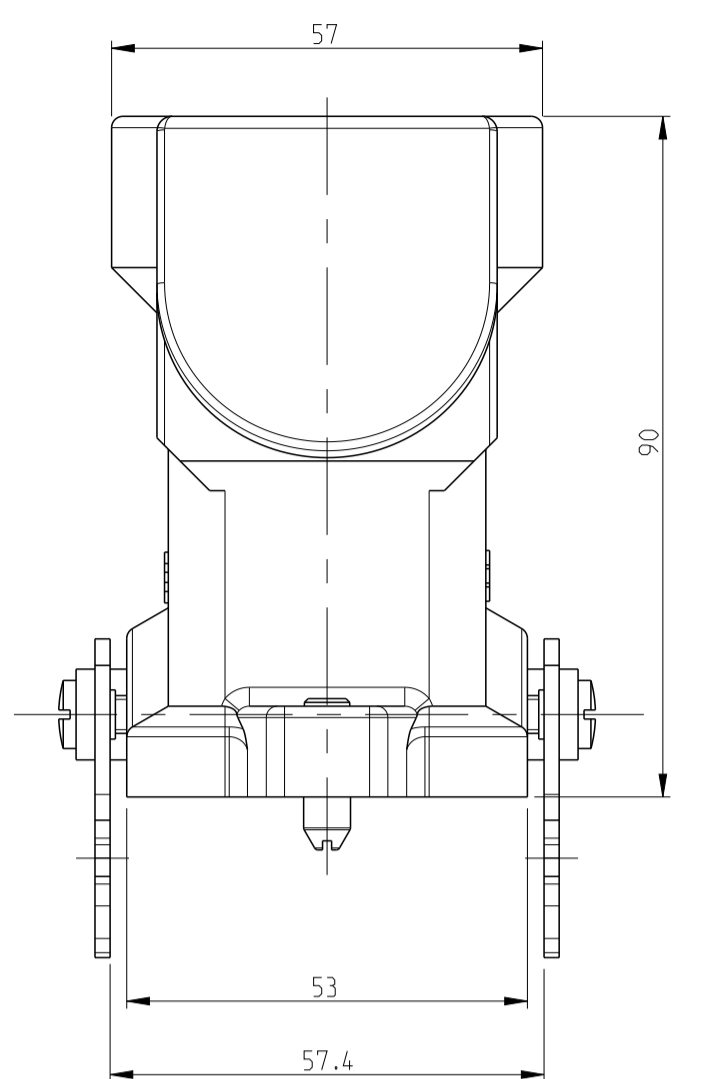
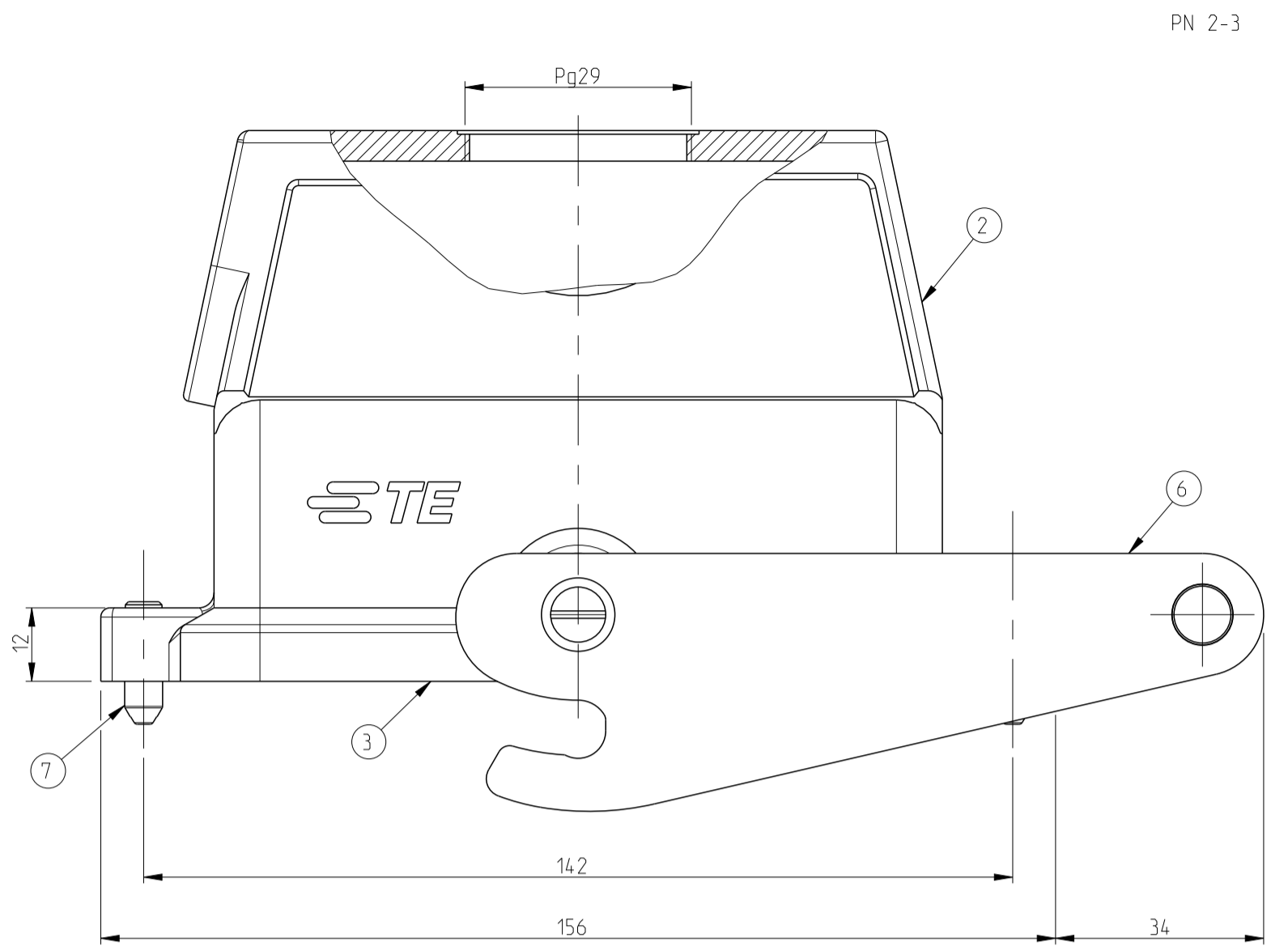
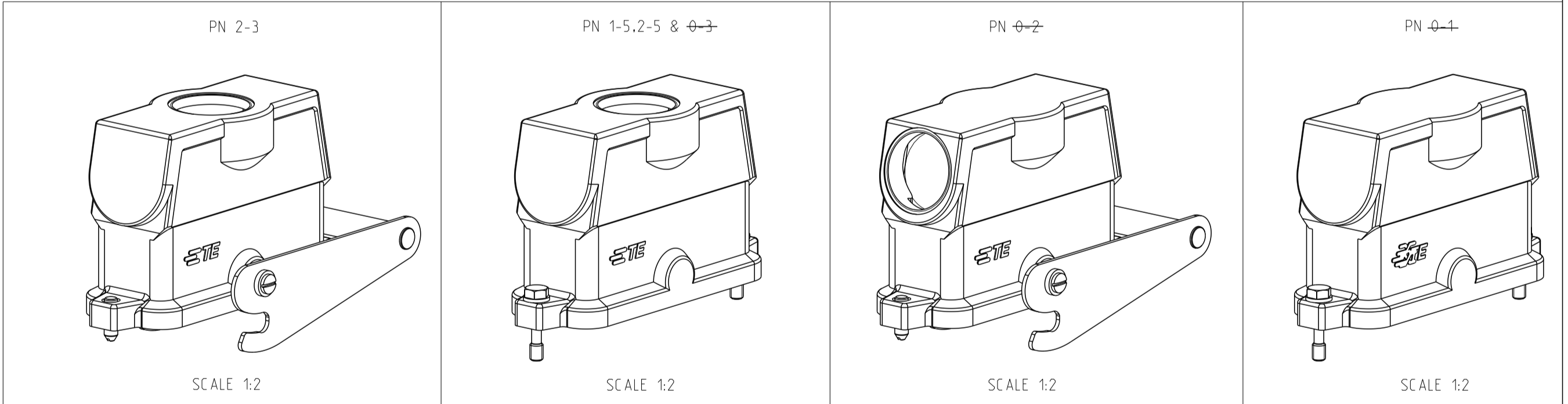
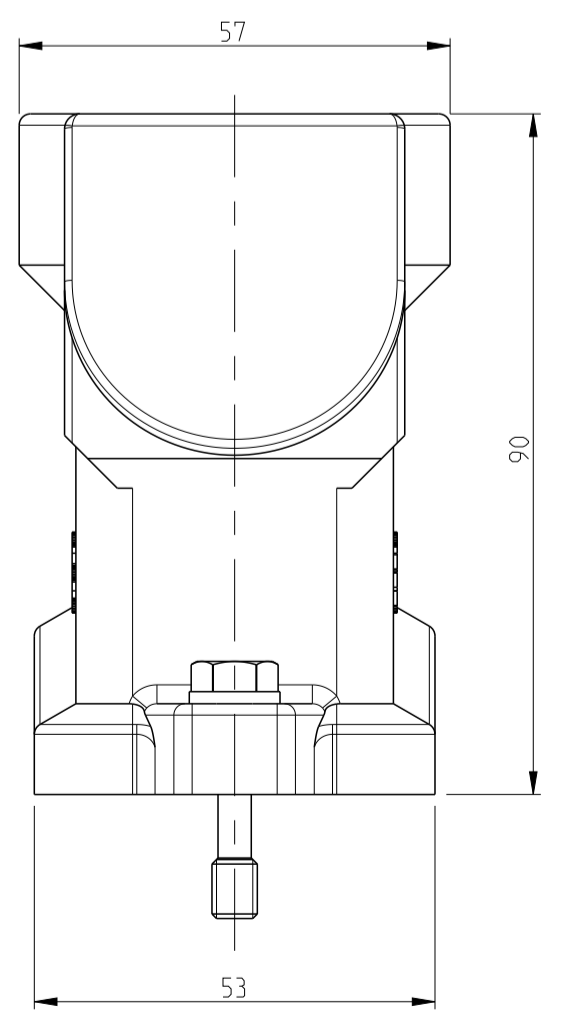
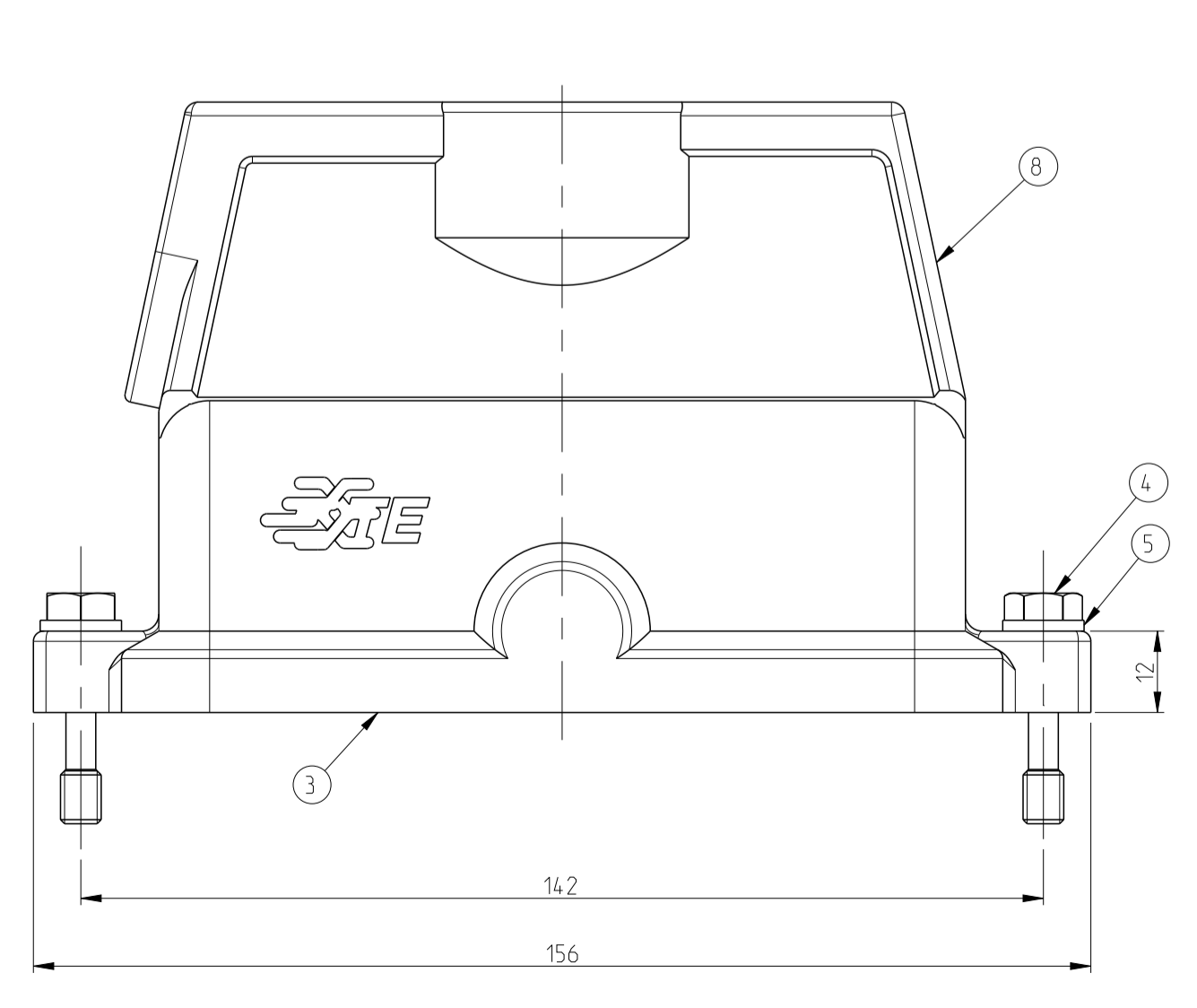


REVISIONS					
P	LTN	DESCRIPTION	DATE	DMN	APVD
B6		Released as per ECR-07-030419	17.12.07	SP	TS
B7		ECR-16-015318	20SEP2017	GR	MKO
B8		REVISED PER ECR-17-014011	18JAN2018	SRG	MKO



- NOTES
- 1 Material: Housing: Aluminium Diecasting Alloy  
Seals: Neoprene
  - 2 Surface: varnish-grey  
Aluminium oxide-  
Varnish black
  - 3 Varnish on the inside not necessary
  - 4 Packaging quantity: 5 pieces in a box



QTY	DESCRIPTION	MATERIAL	SURFACE	COLOR	ITEM NO	REMARKS
1	Hood HIP	Aluminium		No varnish	9	Without varnish
1	Hood HIP-K	Aluminium	Aluminium oxide	Black	8	Sonder logo without PG-Thread
2	Guide bolt	Stainless steel		Blank	7	
1	ZB-Central clip	Stainless steel		Blank	6	
2	Spring washer	Stainless steel		Blank	5	B6.4
2	Fixing screw	Stainless steel		Blank	4	M6x30
1	Seal	Neoprene		Black	3	
1	Hood HIP-K	Aluminium	Aluminium oxide	Black	2	
1	Hood HIP	Aluminium		Grey	1	

THIS DRAWING IS A CONTROLLED DOCUMENT. DMN: 24.06.1998  
 CHK: 24.06.1998  
 NAME: Hip-K.24/64.STO.1.29.G

PRODUCT SPEC: 108-74030  
 APPLICATION SPEC: 114-74017

WEIGHT: -  
 MATERIAL: -  
 FINISH: -

SCALE: 1:1  
 SHEET: 1 OF 1  
 REV: B8

单击下面可查看定价，库存，交付和生命周期等信息

[>>TE Connectivity\(泰科\)](#)