

THIS DRAWING IS UNPUBLISHED.

RELEASED FOR PUBLICATION

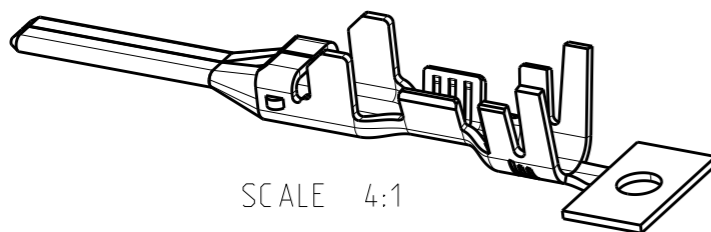
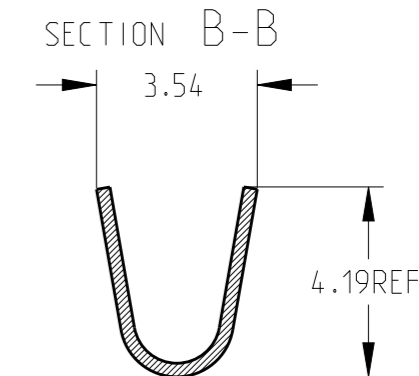
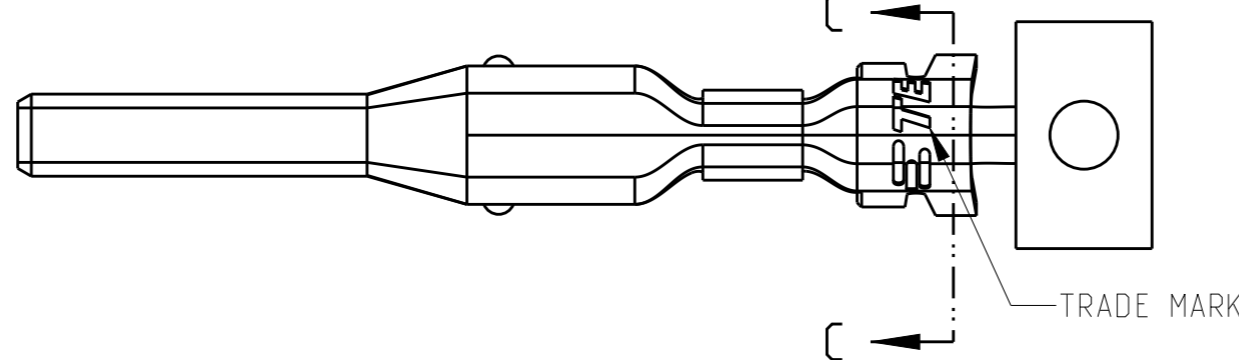
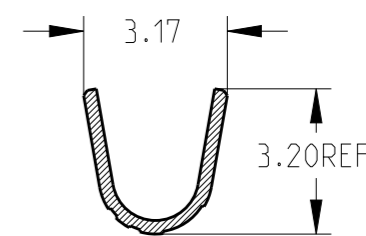
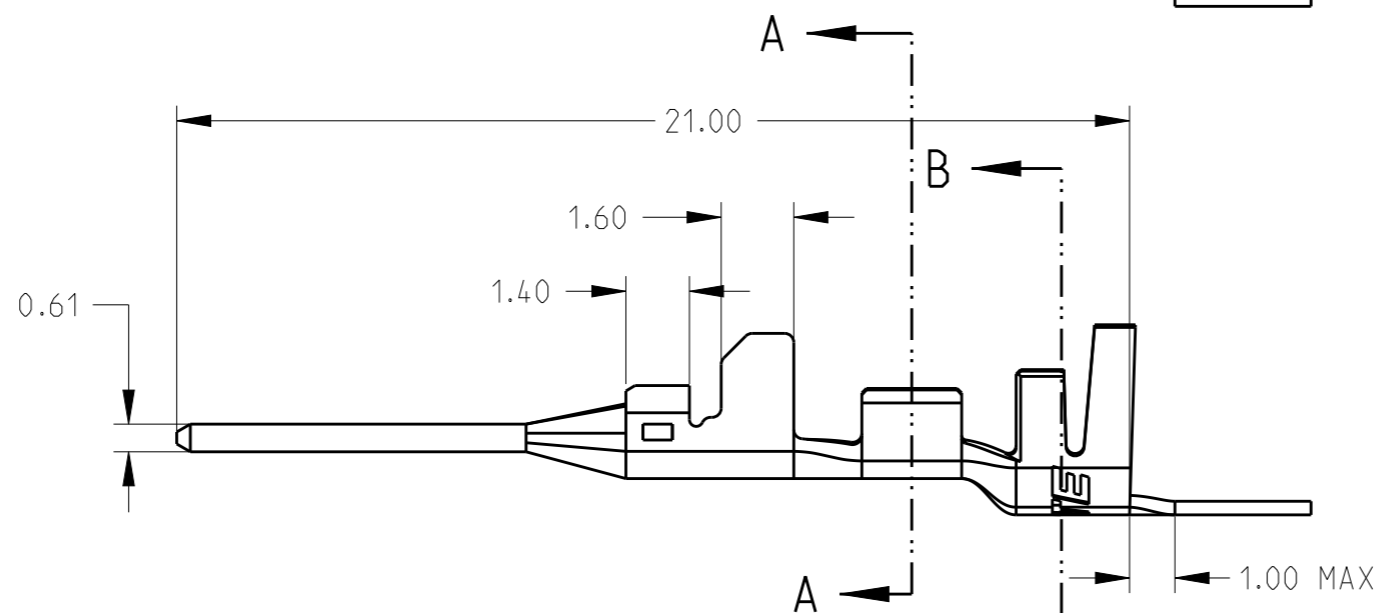
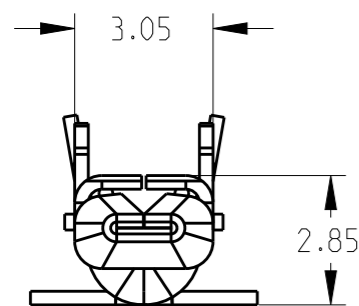
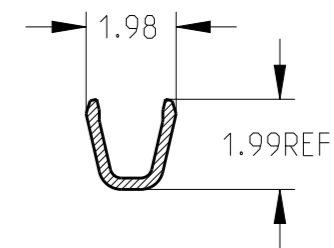
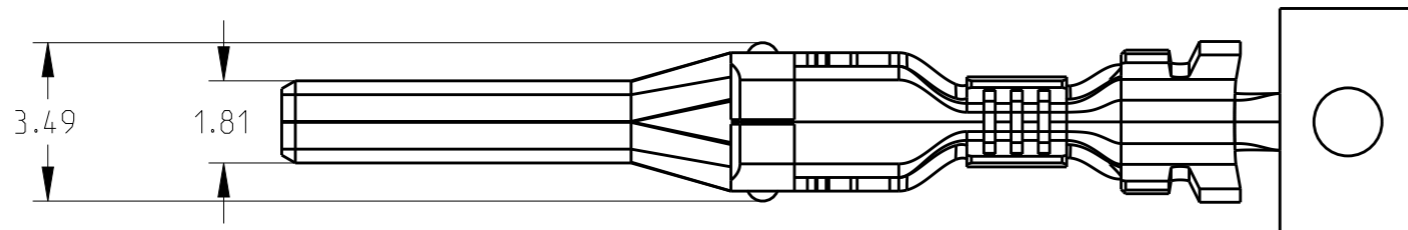
© COPYRIGHT 19 BY -

ALL RIGHTS RESERVED.

LOC ES DIST 00

REVISIONS

P	LTR	DESCRIPTION	DATE	DWN	APVD
	A2	REVISED PER ECR-19-003481	20 JUN 19	N.L	D.Z



SCALE 4:1

4000PCS/REEL	3-1983662-1
5000PCS/REEL	1983662-1
UNIT PKG QTY	PART NO.

NOTE:
 1.MATERIAL:COPPER ALLOY,PRE-TINNED
 2.APPLICABLE HOUSING P/N:1983658-*, 1983659-
 3.APPLICABLE WIRE RANGE:22-26AWG

THIS DRAWING IS A CONTROLLED DOCUMENT.

DWN LEO LIU 24AUG2011
 CHK HAPYE WU 24AUG2011
 APVD ERIC KONG 24AUG2011



DIMENSIONS:	TOLERANCES UNLESS OTHERWISE SPECIFIED:
mm	
	0 PLC ±1.0
	1 PLC ±1.0
	2 PLC ±0.50
	3 PLC ±0.300
	4 PLC ±0.2000
	ANGLES ±

PRODUCT SPEC 108-106071
 APPLICATION SPEC 114-106071
 WEIGHT -

NAME			
TAB CONTACT MULTI 6P CONNECTOR			
SIZE	CAGE CODE	DRAWING NO	RESTRICTED TO
A3	-	©=1983662	

MATERIAL - FINISH -

CUSTOMER DRAWING SCALE N/A SHEET 1 OF 1 REV A2

单击下面可查看定价，库存，交付和生命周期等信息

[>>TE Connectivity\(泰科\)](#)