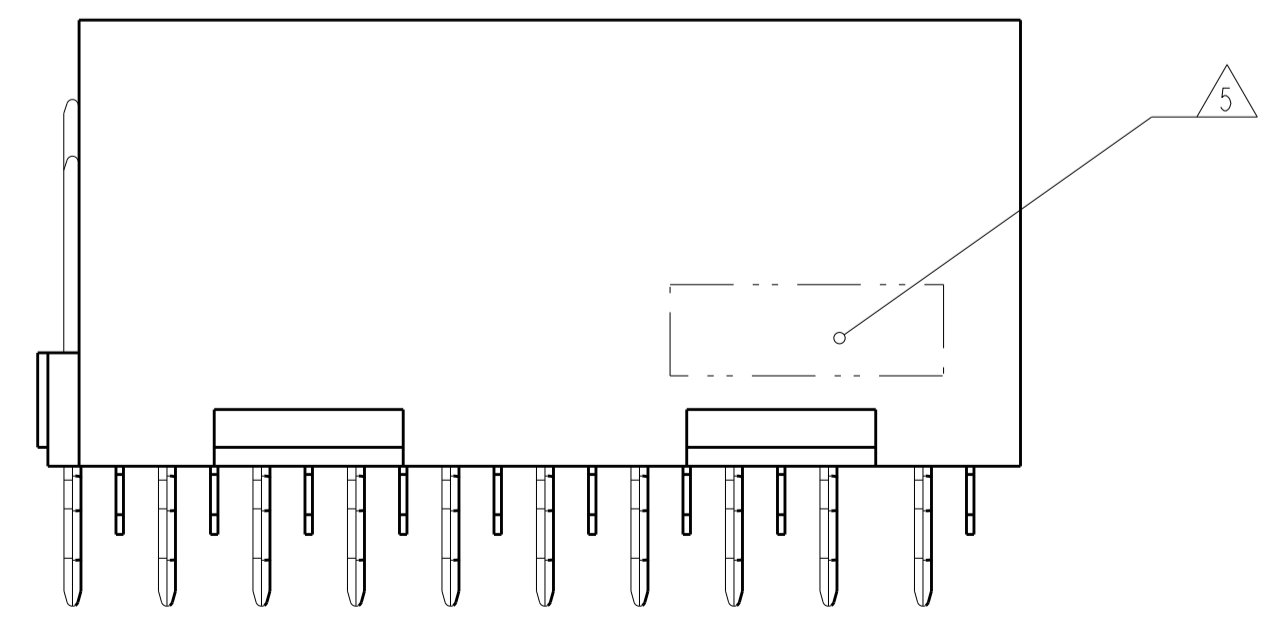
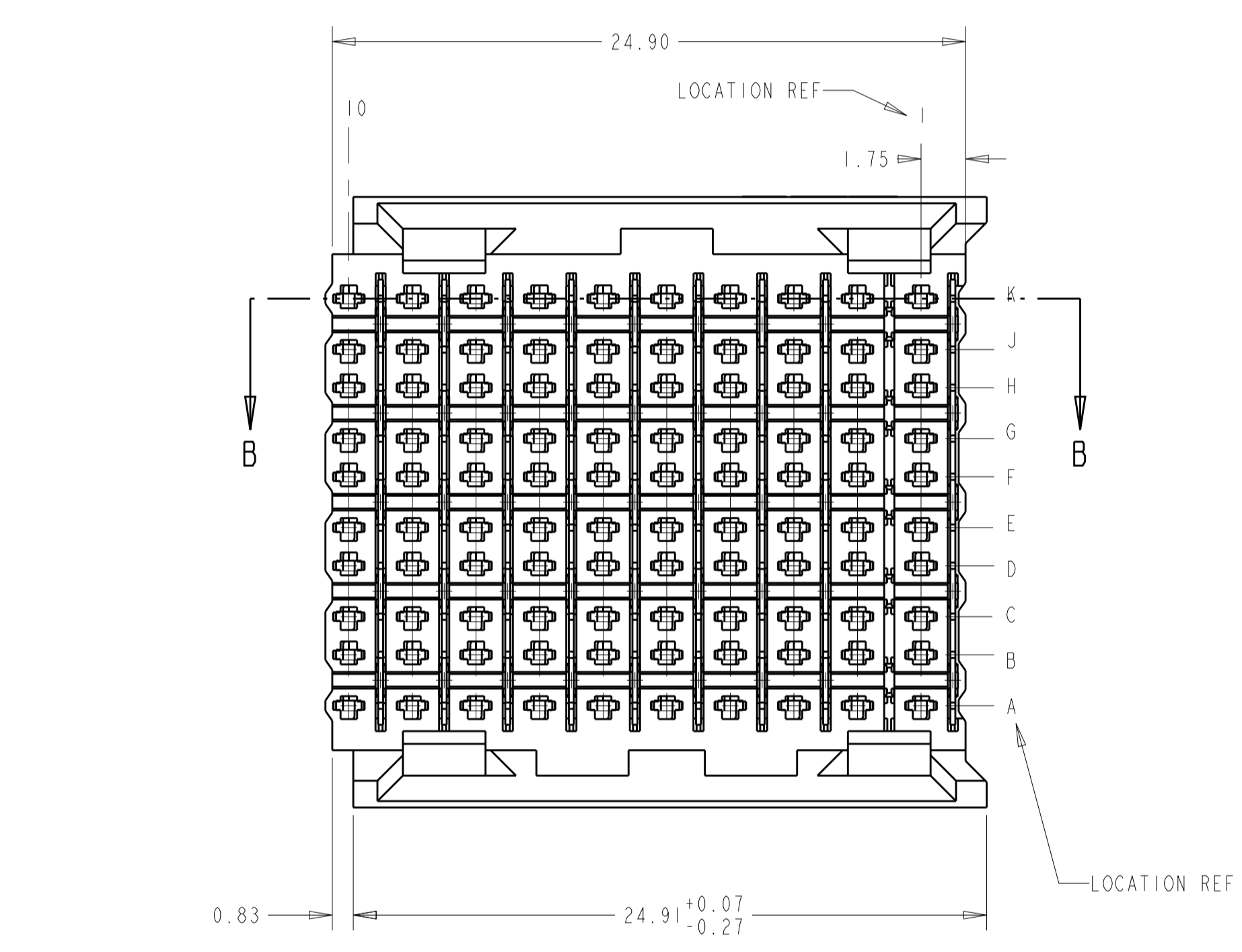
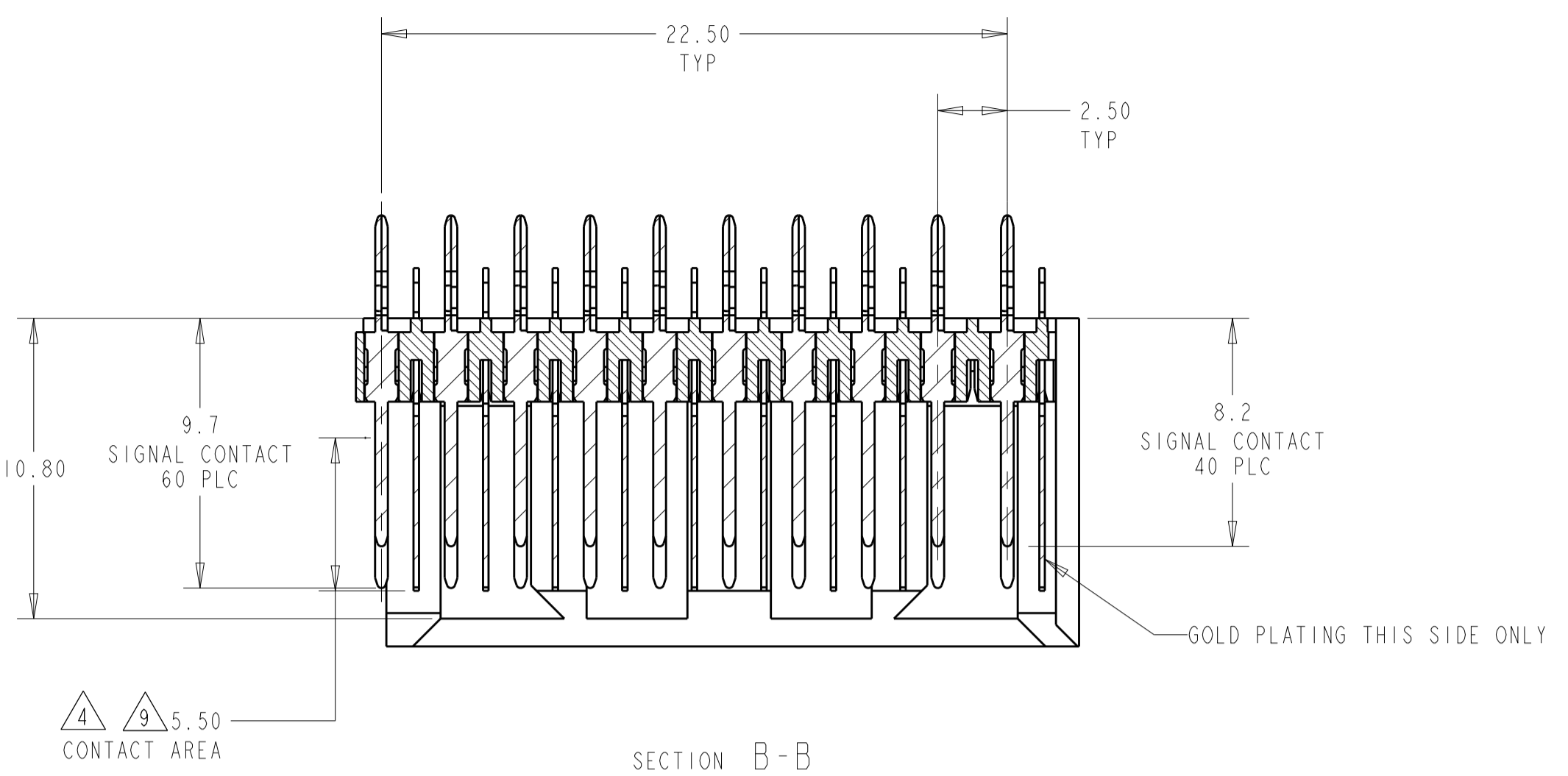
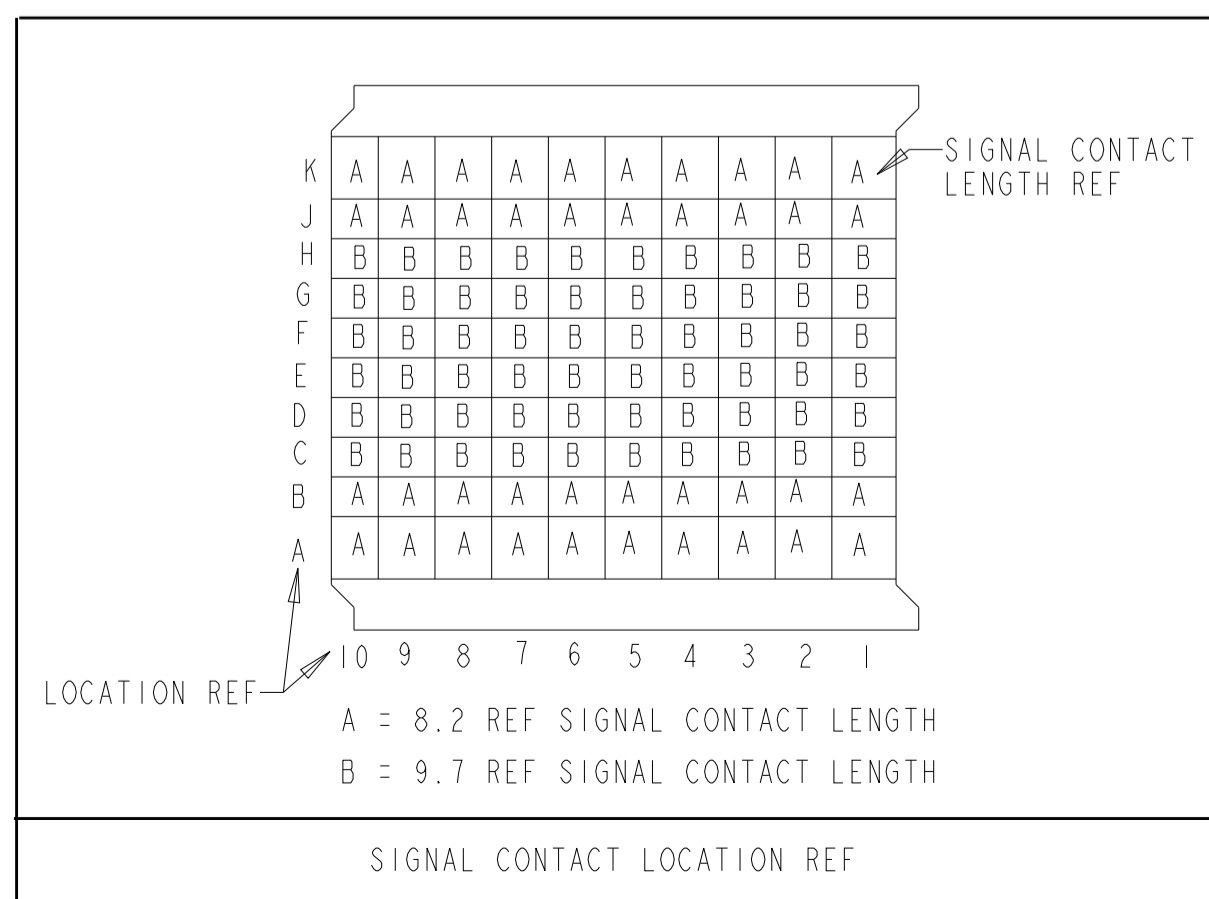
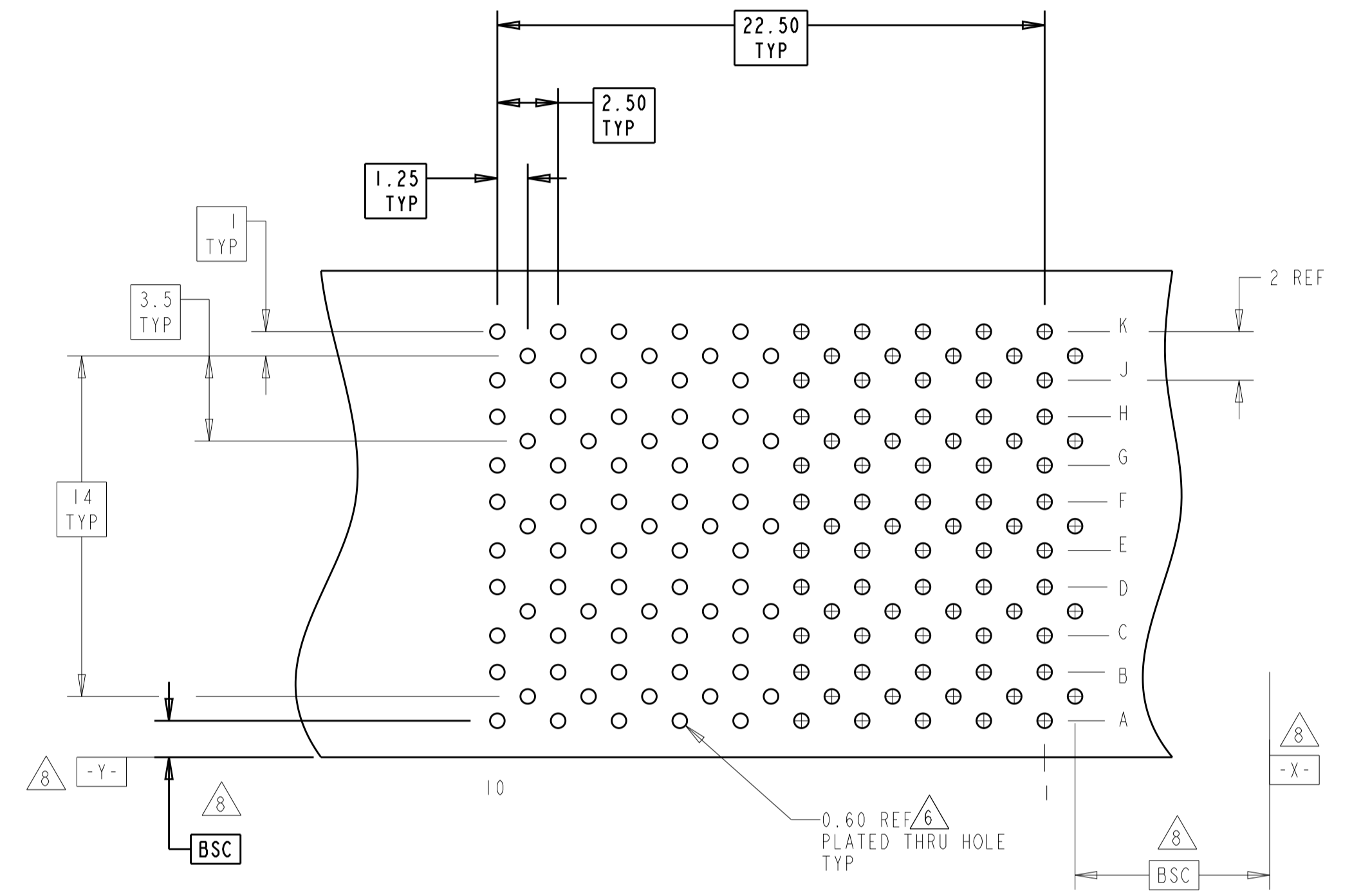
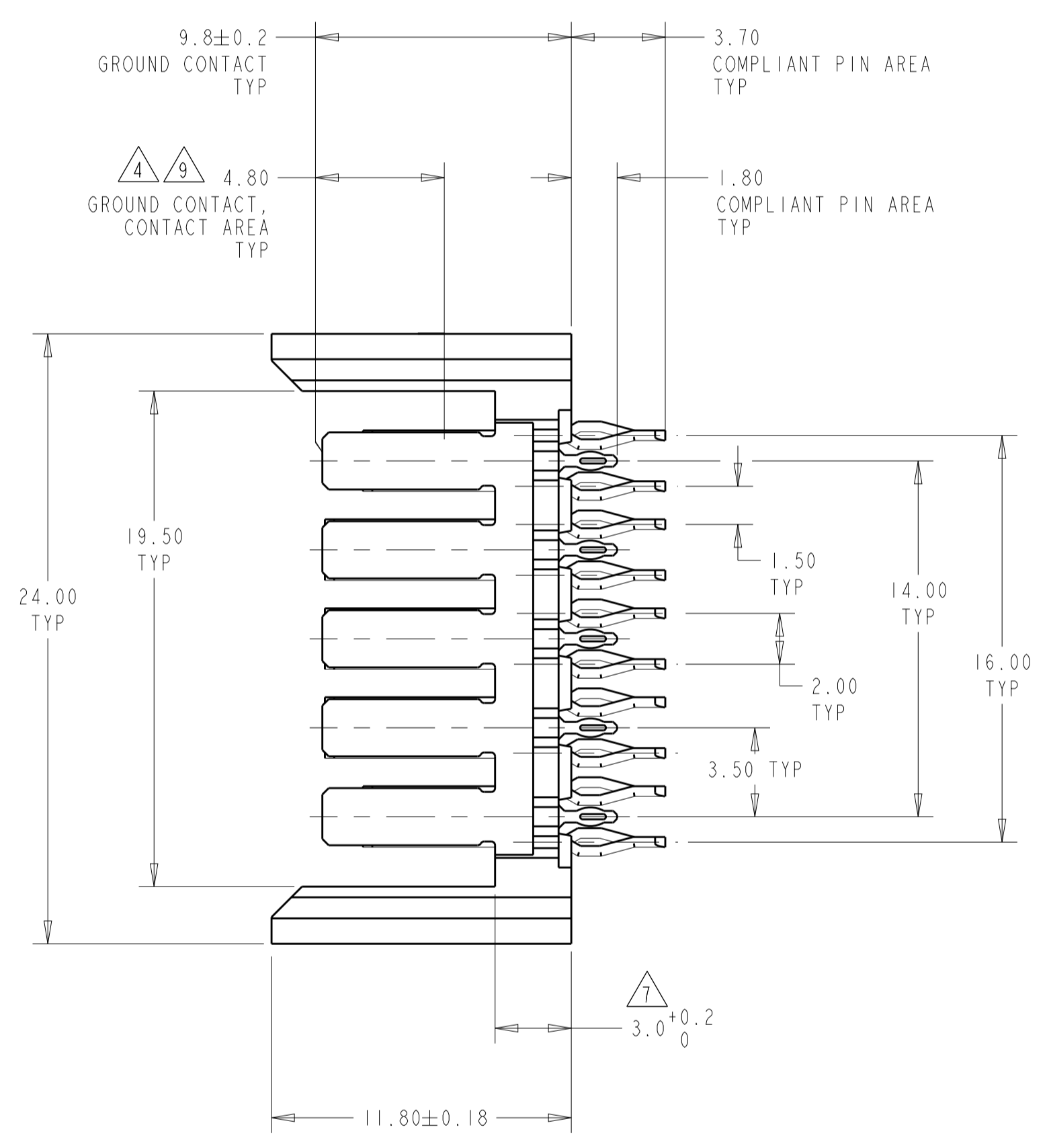


LOC	DIST	REV	DATE	BY	APPV
AD	00	B	23AUG2012	KH	JE



- 2 PHOSPHOR BRONZE
- 3 LCP, UL94V-0
- 4 FINISH: CONTACT MATING AREA MEETS THE PERFORMANCE REQUIREMENTS OF TE CONNECTIVITY PRODUCT SPECIFICATION 108-1957; BASED ON TELCORDIA GR-1217-CORE; APPLICATIONS IN UNCONTROLLED ENVIRONMENTS. COMPLIANT PIN AREA: 0.5µm MIN MATTE TIN OVER BASE PLATING.
- 5 CONNECTOR MARKED WITH PART NUMBER AND DATE CODE
- 6 REFERENCE APPLICATION SPEC 114-13020 FOR RECOMMENDED PLATED THRU HOLE DIAMETER AND PLATING THICKNESS.
- 7 APPLICATION SEATING HEIGHT TO PRINTED CIRCUIT BOARD
- 8 DATUMS AND BASIC DIMENSIONS ESTABLISHED BY CUSTOMER
- 9 CONTACT AREA LUBRICATED WITH BELLCORE APPROVED LUBRICANT TECHNICAL REPORT: GR-1217-CORE, ISSUE 1, NOVEMBER 1995



THIS DRAWING IS A CONTROLLED DOCUMENT.		OWN: B. CARBO 07DEC04	TE Connectivity
DIMENSIONS: mm		CHK: R. PATTERSON 07DEC04	
TOLERANCES UNLESS OTHERWISE SPECIFIED:		APPV: R. PATTERSON 07DEC04	
0 PLC ± 1 PLC ±0.13 3 PLC ±0.05 4 PLC ± ANGLES ±		NAME: HEADER ASSEMBLY, 100 POSITION, 10 ROW, SEQUENCED, BACKPLANE CONNECTOR, Z-PACK HS3	
MATERIAL HOUSING: 3	FINISH: 4	WEIGHT: -	RESTRICTED TO:
CONTACTS: 2	SIGNAL CONTACT: 4	CAGE CODE: A1 00779	DRAWING NO: C=5120753
CUSTOMER DRAWING		SCALE: 5:1	SHEET 1 OF 1 REV B

ROWS C,D,E,F,G,H	ROWS A,B,J,K	5120753-1
PIN LOCATION	PIN LOCATION	PART NUMBER
SIGNAL CONTACT TYPE B QTY: 60	SIGNAL CONTACT TYPE A QTY: 40	

单击下面可查看定价，库存，交付和生命周期等信息

[>>TE Connectivity\(泰科\)](#)