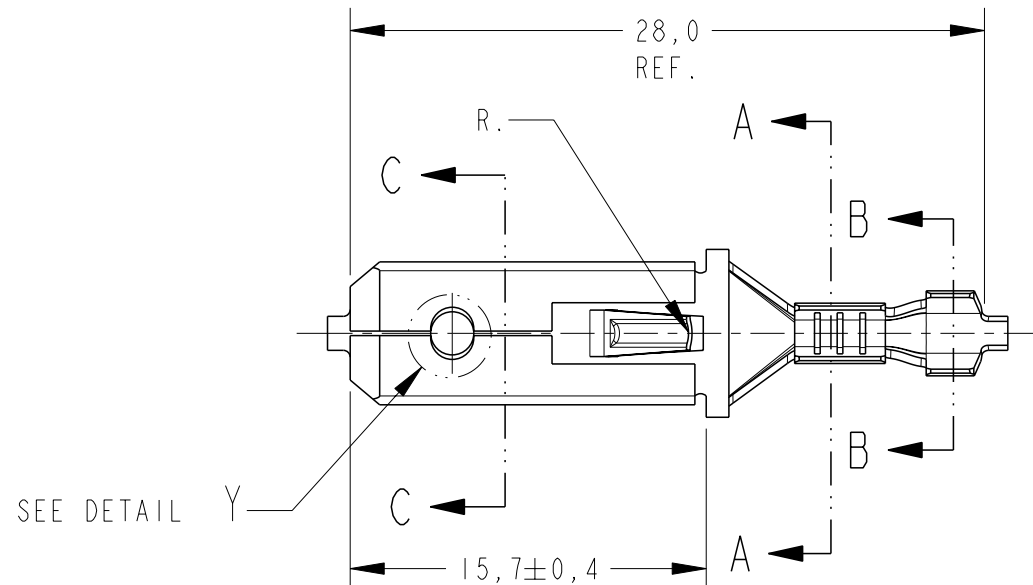


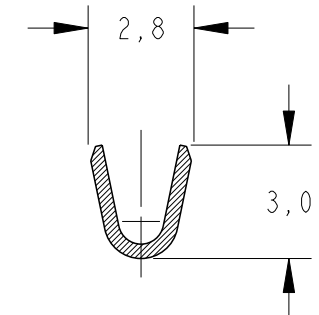
LOC AP DIST -

REVISIONS

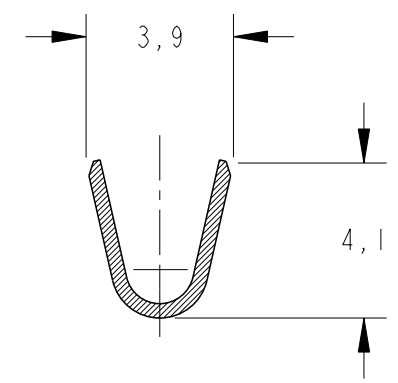
P	LTR	DESCRIPTION	DATE	DWN	APVD
	D4	REDRAW BY CAD	20AUG2012	NCL	DAO



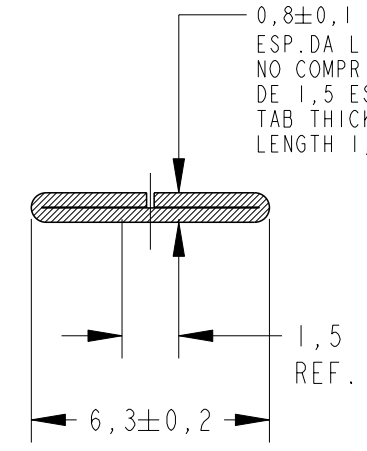
SEE DETAIL Y



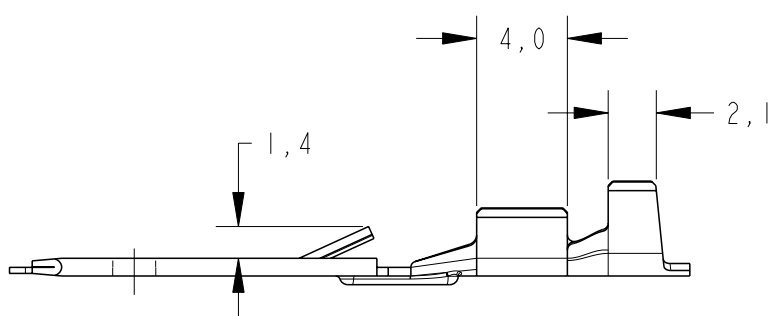
SECTION A-A SCALE 5:1



SECTION B-B SCALE 5:1




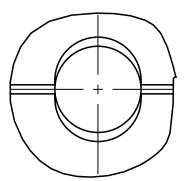
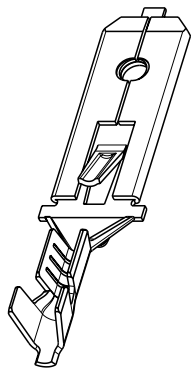
SECTION C-C SCALE 5:1



OBSOLETE	PRATEADO/SILVER PLATED	LATÃO / BRASS	880688 -7
OBSOLETE	PRÉ ESTANHADO/PRE-TINNED	BRONZE FOSF./PHOSP BRONZE	880688 -6
OBSOLETE	PRÉ ESTANHADO/PRE-TINNED	LATÃO / BRASS	880688 -5
OBSOLETE	ESTANHADO/TIN PLATED	BRONZE FOSF./PHOSP BRONZE	880688 -4
OBSOLETE		BRONZE FOSF./PHOSP BRONZE	880688 -3
	ESTANHADO/TIN PLATED	LATÃO / BRASS	880688 -2
		LATÃO / BRASS	880688 -1
	FINISH	MATERIAL	PART NUMBER

INS. RANGE	WIRE RANGE
∅ 2,0-3,3mm	0,5-1,0mm ²

THIS DRAWING IS A CONTROLLED DOCUMENT.		DWN NCLAPRESA 17JUL2012	 TE Connectivity
DIMENSIONS: mm		CHK JRGOLDSCHMIDT 17JUL2012	
TOLERANCES UNLESS OTHERWISE SPECIFIED:		APVD DAOLIVEIRA 17JUL2012	
0 PLC ±0,3 1 PLC ±0,3 2 PLC ±0,3 3 PLC ±0,3 4 PLC ±0,3 ANGLES ±1°		NAME -	
MATERIAL SEE TABLE	FINISH SEE TABLE	PRODUCT SPEC -	TERMINAL FASTIN-FASTON .250 TAB
		APPLICATION SPEC -	SIZE A3
		WEIGHT -	CAGE CODE 00779
			DRAWING NO C-880688
			RESTRICTED TO -
			SCALE 3:1
			SHEET 1 OF 1
			REV D4



DETAIL Y SCALE 6:1 CONSTRUÇÃO OPCIONAL OPTIONAL CONSTRUCTION



PERSPECTIVE VIEW SCALE 2:1

单击下面可查看定价，库存，交付和生命周期等信息

[>>TE Connectivity\(泰科\)](#)