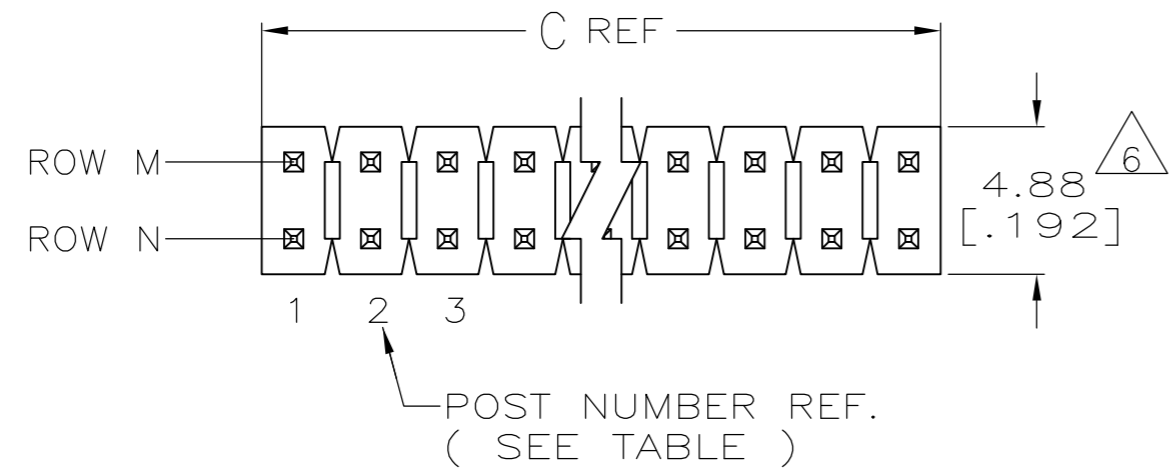
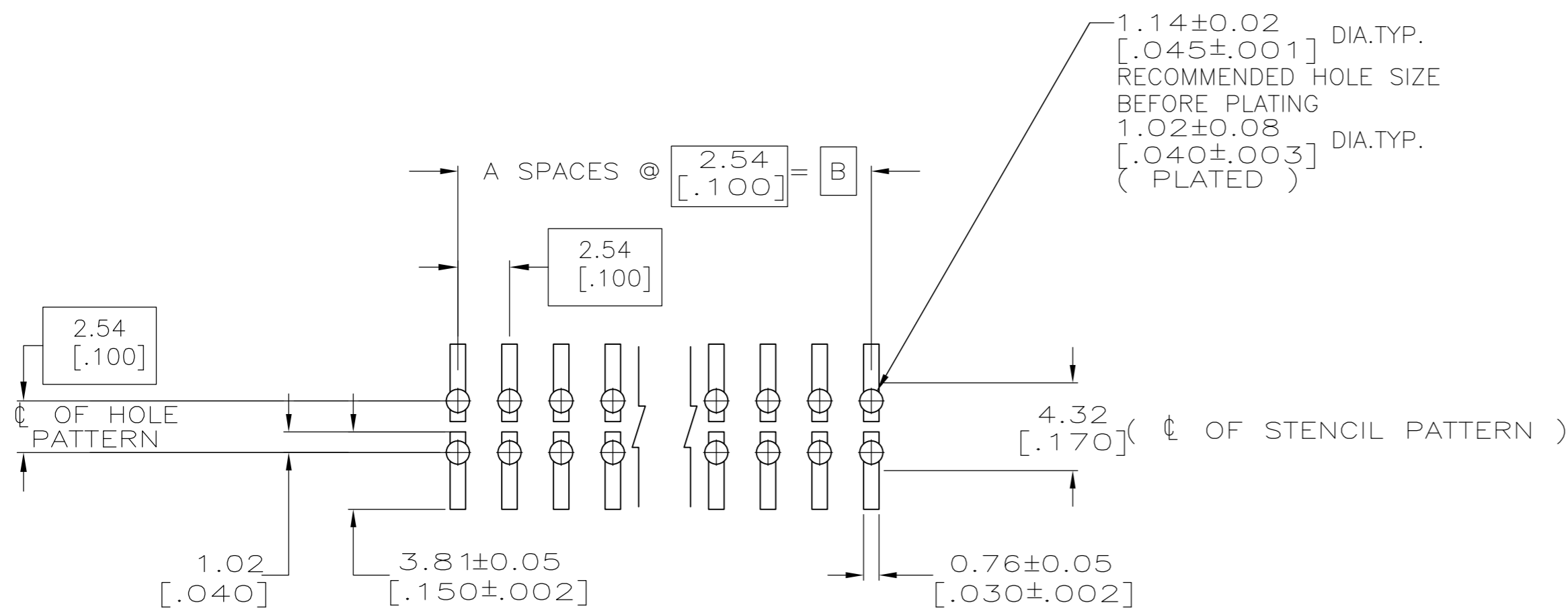
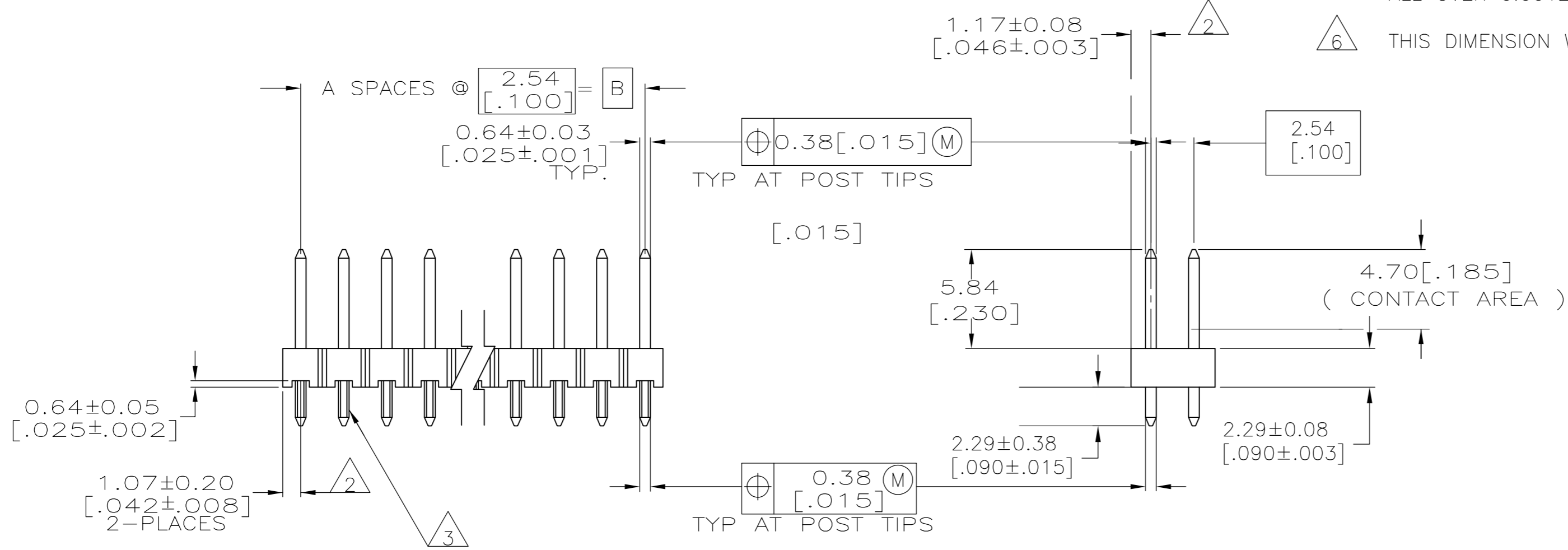


THIS DRAWING IS UNPUBLISHED. RELEASED FOR PUBLICATION
 © COPYRIGHT - By - ALL RIGHTS RESERVED.

LOC		DIST		REVISIONS			
AD	39	P	LTR	DESCRIPTION	DATE	DWN	APVD
		C		REVISED PER ECO-14-006554	09MAY2014	NK	MM



- 1 TRUE POSITION TOLERANCE OF THE POST TIPS APPLIES WHEN THE HEADER IS HELD FLAT AGAINST THE PRINTED CIRCUIT BOARD.
- 2 THE NOTED DIMENSIONS APPLY AT THE INTERSECTION OF THE POST AND HOUSING.
- 3 RETENTION FEATURES ON SOLDER TAILS, LOCATED AT MANUFACTURERS OPTION.
- 4 HOUSING: LCP, COLOR-BLACK. POST: PHOSPHOR BRONZE.
- 5 0.000076[.000030] MIN GOLD OVER 0.00068[.000027] Pd/NiIN CONTACT AREA, 0.00254-0.00508 [.0000100-.0000200] MATTE TIN ON SOLDER TAIL, ALL OVER 0.00127 [.000050] NICKEL.
- 6 THIS DIMENSION WILL BE 4.67[.184] FOR THE 2 POSITION CONFIGURATION.



RECOMMENDED PC BOARD MOUNTING DIMENSIONS FOR 1.60 [.063] THICK PC BOARD AND 0.305 [.0120] STENCIL THICK.

5	101.19 [3.984]	99.06 [3.900]	39	80	8-1977953-0
5	2.13 [.084]	-	-	2	1977953-2
FINISH	C	B	A	NO. OF POSITIONS	PART NUMBER

THIS DRAWING IS A CONTROLLED DOCUMENT.		DWN KIRAN HOLAL 31AUG2013	TE Connectivity		
DIMENSIONS: mm [INCHES]		CHK MIKE MILLER 31AUG2013			
TOLERANCES UNLESS OTHERWISE SPECIFIED:		APVD MIKE MILLER 31AUG2013	NAME		
0 PLC ± -		PRODUCT SPEC	HEADER ASSEMBLY, MOD II, BREAKAWAY, DOUBLE ROW, .100 X.100CL, VERTICAL, WITH RETENTION FEATURE,.025 SQ.POSTS,HIGH TEMPERATURE, 30 Pd/Ni		
1 PLC ± -		APPLICATION SPEC	SIZE	CAGE CODE	DRAWING NO
2 PLC ± 0.51[.02]			A2	00779	C=1977953
3 PLC ± 0.127[.005]			WEIGHT	SCALE	SHEET
4 PLC ± 0.0127[.0005]			-	4:1	1 of 1
ANGLES ± -			CUSTOMER DRAWING	REV	C
MATERIAL	FINISH	SEE TABLE			

单击下面可查看定价，库存，交付和生命周期等信息

[>>TE Connectivity\(泰科\)](#)