

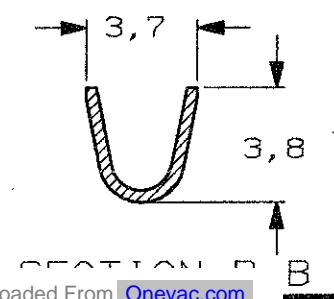
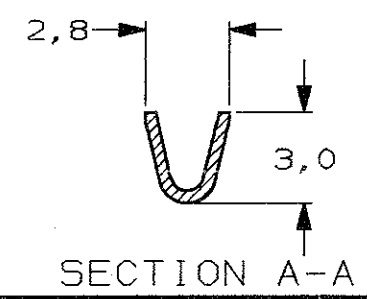
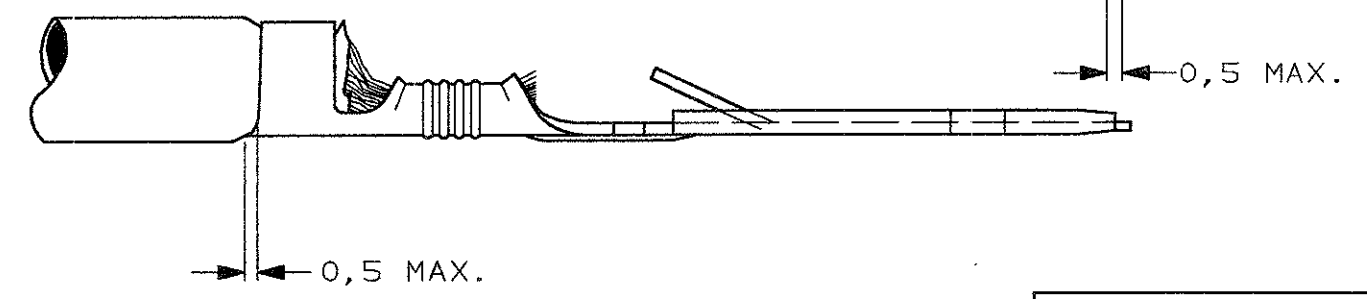
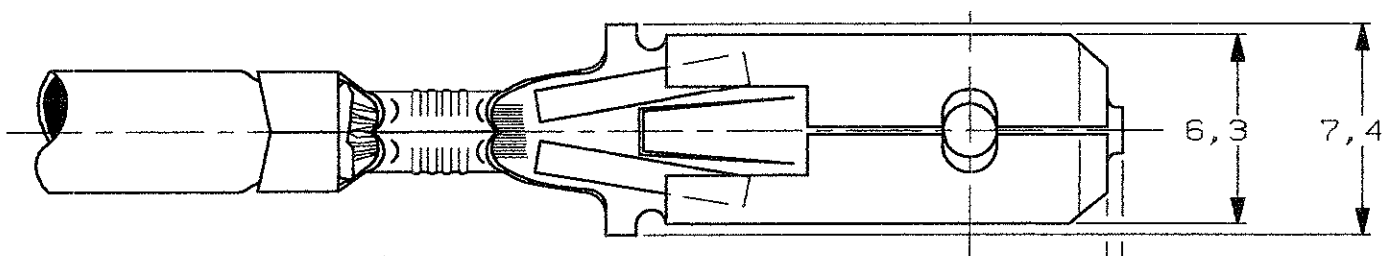
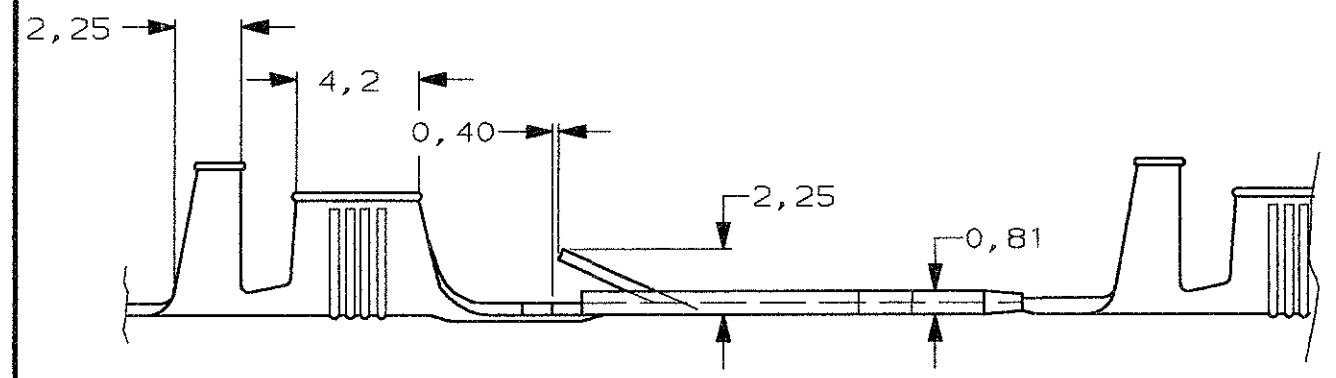
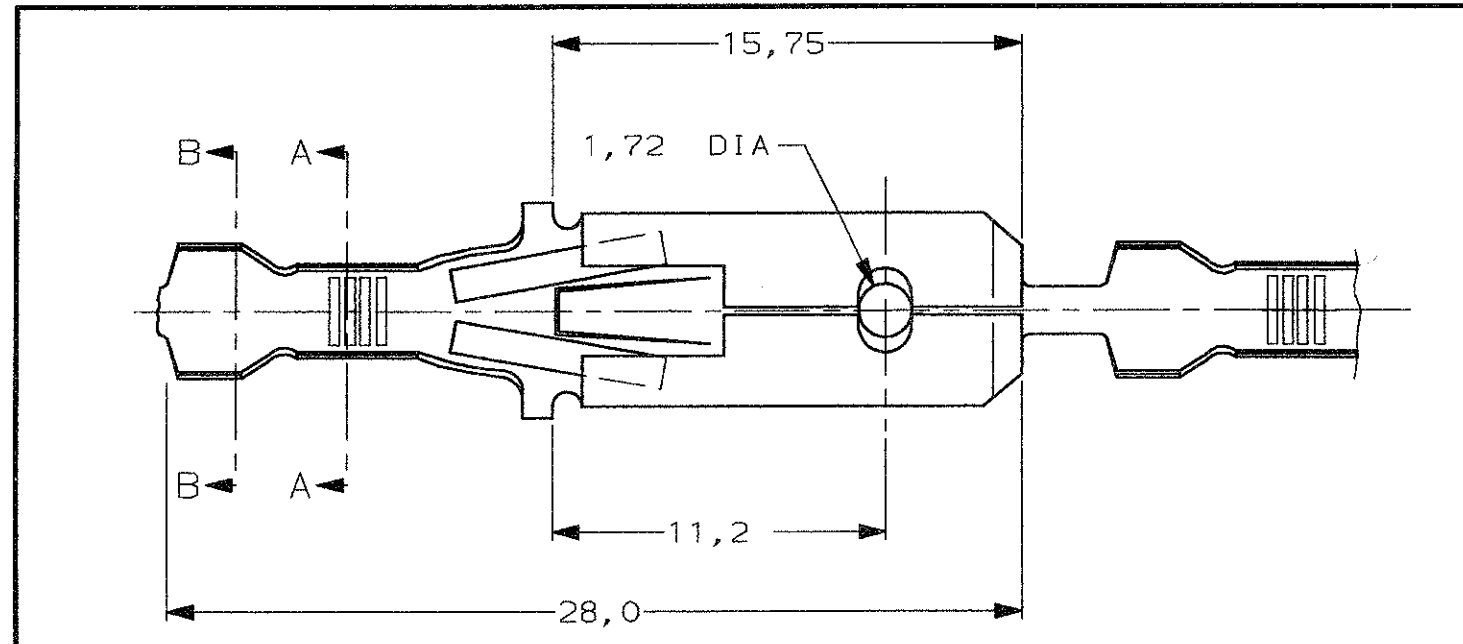
DO NOT SCALE
DIMENSIONS IN mm

METRIC

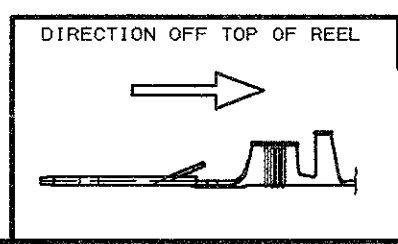
THIRD ANGLE
PROJECTION

NOTES:

- ① FOR USE ON MINIATURE APPLICATORS (LEFT-RIGHT FEED)
- ② PH. BRONZE ELONGATION A50 ≥ 20%.
- ③ OBSOLETE PARTS: OBSOLETE CIS STREAMLINING PER D.RENAUD/D.SINISI



WIRE RANGE :
0,5-1,0 mm²
INSULATION RANGE :
1,4-2,3mm DIA.



③ OBSOLETE	①	PRE-TINPLATED	BRASS	160859-8
	①	PRE-TINPLATED	Ph BRONZE	160859-7
	①	UNPLATED	Ph BRONZE	160859-6
	①	SILVERPLATED	Ph BRONZE	160859-5
	①	TINPLATED	Ph BRONZE	160859-4
	①	UNPLATED	Ph BRONZE	160859-3
	①	TINPLATED	BRASS	160859-2
	①	UNPLATED	BRASS	160859-1
PLATING		PLATING	MATERIAL	PARTNUMBER

CUSTOMER DRAWING FOR REFERENCE ONLY
WILL NOT BE UPDATED

THIS DRAWING IS UNPUBLISHED
RELEASED FOR PUBLICATION - ,19 -



NAME
FASTIN-FASTON® Connector,
.250" sr. TAB CONTACT.

G3	REVISED PER ECO-11-005140	RK	HMR	31MAR11	
LTR.	REVISION RECORD	DR.	CHK.	DATE	
DR.:	J.v.LIEMPT.	CHK.:	A.BIJNEN.	APP.:	L.v.SOEST.
DATE:	23 MAR 1992	DATE:	-	DATE:	-

DWG. No.	C-160859	REV. LTR.	G3	SHEET	1 OF 1	A3
----------	----------	-----------	----	-------	--------	----

单击下面可查看定价，库存，交付和生命周期等信息

[>>TE Connectivity\(泰科\)](#)