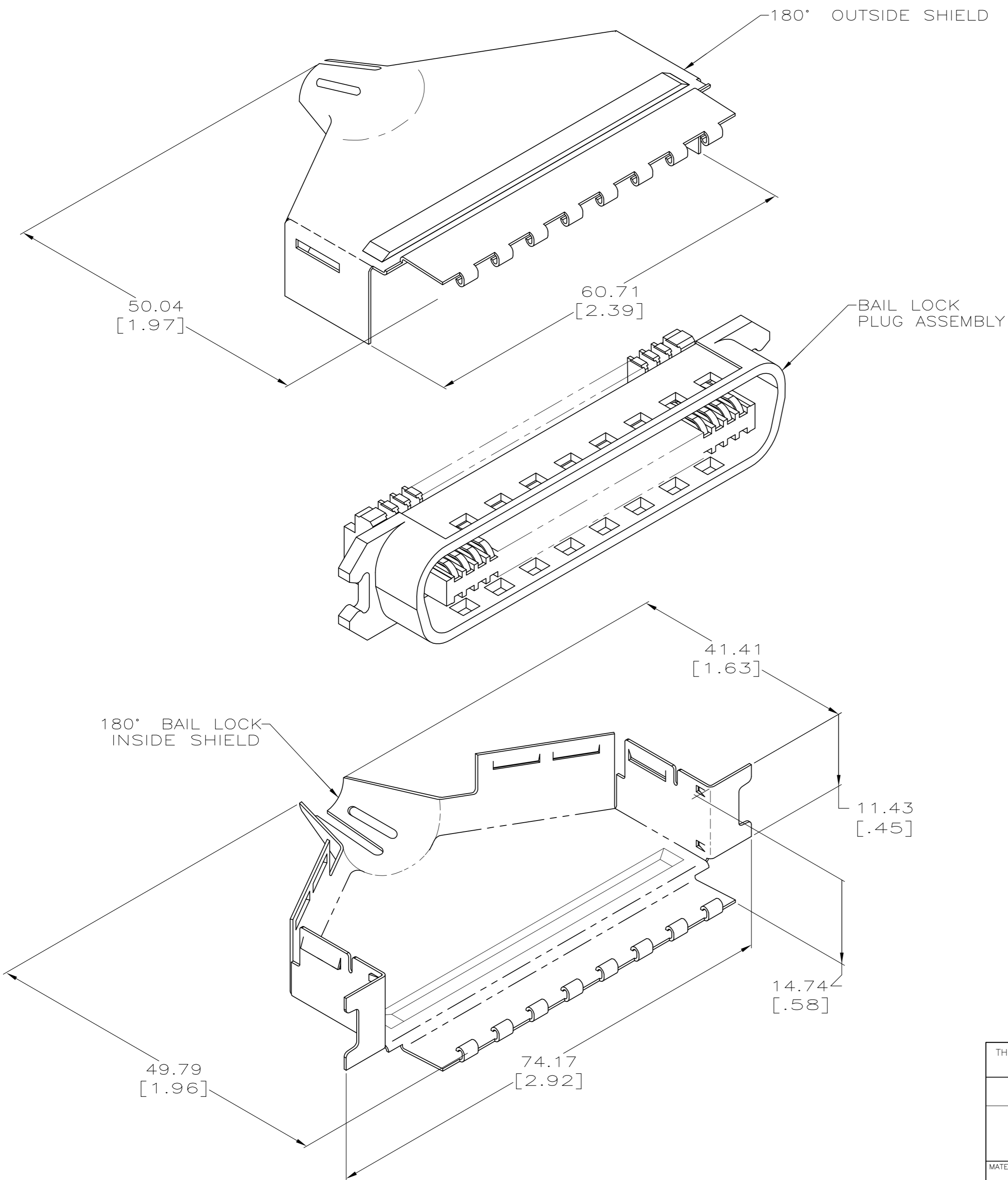


THIS DRAWING IS UNPUBLISHED. RELEASED FOR PUBLICATION  
 © COPYRIGHT BY TYCO ELECTRONICS CORPORATION. ALL RIGHTS RESERVED.

| LOC |     | DIST                      |  | REVISIONS |     |      |  |
|-----|-----|---------------------------|--|-----------|-----|------|--|
| P   | LTR | DESCRIPTION               |  | DATE      | DWN | APVD |  |
|     | F   | REVISED PER ECO-08-007327 |  | 05SEP08   | BM  | WM   |  |
|     | F1  | REV PER ECO-09-021510     |  | 12SEP09   | KK  | AEG  |  |



- THIS KIT SHIPPED NOT ASSEMBLED.
- MATERIAL: SHIELDS – BRIGHT NICKEL PLATED CARBON STEEL.  
 PLUG HOUSING – POLYPHENYLENE OXIDE, SEE TABLE FOR COLOR.  
 TERMINAL – HIGH STRENGTH COPPER ALLOY PLATED WITH 0.76µm [.000030] MIN GOLD OR GOLD FLASH OVER PALLADIUM NICKEL PLATE, 0.76µm [.000030] MIN TOTAL ON MATING SURFACE. 1.27µm [.000050] MIN NICKEL UNDERPLATE OVER ENTIRE TERMINAL.
- WIRE SIZE: 24 OR 26 AWG SOLID OR 24 AWG 7 STRANDS OF COPPER CONDUCTORS. MAXIMUM INSULATION DIAMETER OF 1.14 [.045] IS ACCEPTABLE FOR MOST APPLICATIONS.
- CABLE RANGE:  $\phi$ 8.89–15.88 [.350–.625].
- CENTER-TO-CENTER SPACING OF TERMINALS 2.16 [.085] NOMINAL.
- WIRE SIZE: 26–27–28 AWG 7 STRANDS OF COPPER CONDUCTORS. MAXIMUM INSULATION DIAMETER OF 1.14 [.045] IS ACCEPTABLE FOR MOST APPLICATIONS.
- DIMENSIONS ARE MAXIMUM UNLESS OTHERWISE SPECIFIED.
- PACKAGED 1 KIT PER POLYBAG.
- BULK PACKAGED 500 KITS PER CONTAINER.
- OBsolete PARTS: OBSOLETE CIS STREAMLINING PER D.RENAUD/D.SINISI

|     |          |             |           |           |             |            |
|-----|----------|-------------|-----------|-----------|-------------|------------|
| △10 | OBsolete | COMPAQ-GRAY | △9        | E         | △6          | 5-554953-3 |
| △10 | OBsolete | BLACK       | △9        | B         | △3          | 5-554953-2 |
| △10 | OBsolete | BLACK       | △9        | E         | △6          | 5-554953-1 |
|     |          | BLACK       | △8        | B         | △3          | 554953-2   |
|     |          | BLACK       | △8        | E         | △6          | 554953-1   |
|     | COLOR    | PACKAGED    | SLOT SIZE | WIRE SIZE | PART NUMBER |            |

| THIS DRAWING IS A CONTROLLED DOCUMENT. |  | DWN              | 3-24-95 | Tyco Electronics Corporation                     |           |            |
|--|--|------------------|---------|--|-----------|------------|
| DIMENSIONS: mm [INCHES]                |  | L. SMITH         | 4-04-95 | Harrisburg, PA 17105-3608                        |           |            |
| TOLERANCES UNLESS OTHERWISE SPECIFIED: |  | CHK              | 4-04-95 | Tyco Electronics                                 |           |            |
| 0 PLC ± -                              |  | D.HUSSEY         | 4-04-95 | NAME   |           |            |
| 1 PLC ± -                              |  | APVD             | 4-04-95 | M.HUGHES   |           |            |
| 2 PLC ± -                              |  | PRODUCT SPEC     |         | PLUG KIT, 50 POSITION, BAIL LOCK, SHIELDED CHAMP |           |            |
| 3 PLC ± -                              |  | APPLICATION SPEC |         | -  |           |            |
| 4 PLC ± -                              |  | WEIGHT           |         | SIZE   | CAGE CODE | DRAWING NO |
| ANGLES ± -                             |  | FINISH           |         | A2   | 00779     | C=554953   |
| MATERIAL                               |  | FINISH           |         | RESTRICTED TO                                    |           |            |
| CUSTOMER DRAWING                       |  | SCALE            | 2:1     | SHEET  | 1 of 1    | REV F1     |

单击下面可查看定价，库存，交付和生命周期等信息

[>>TE Connectivity\(泰科\)](#)