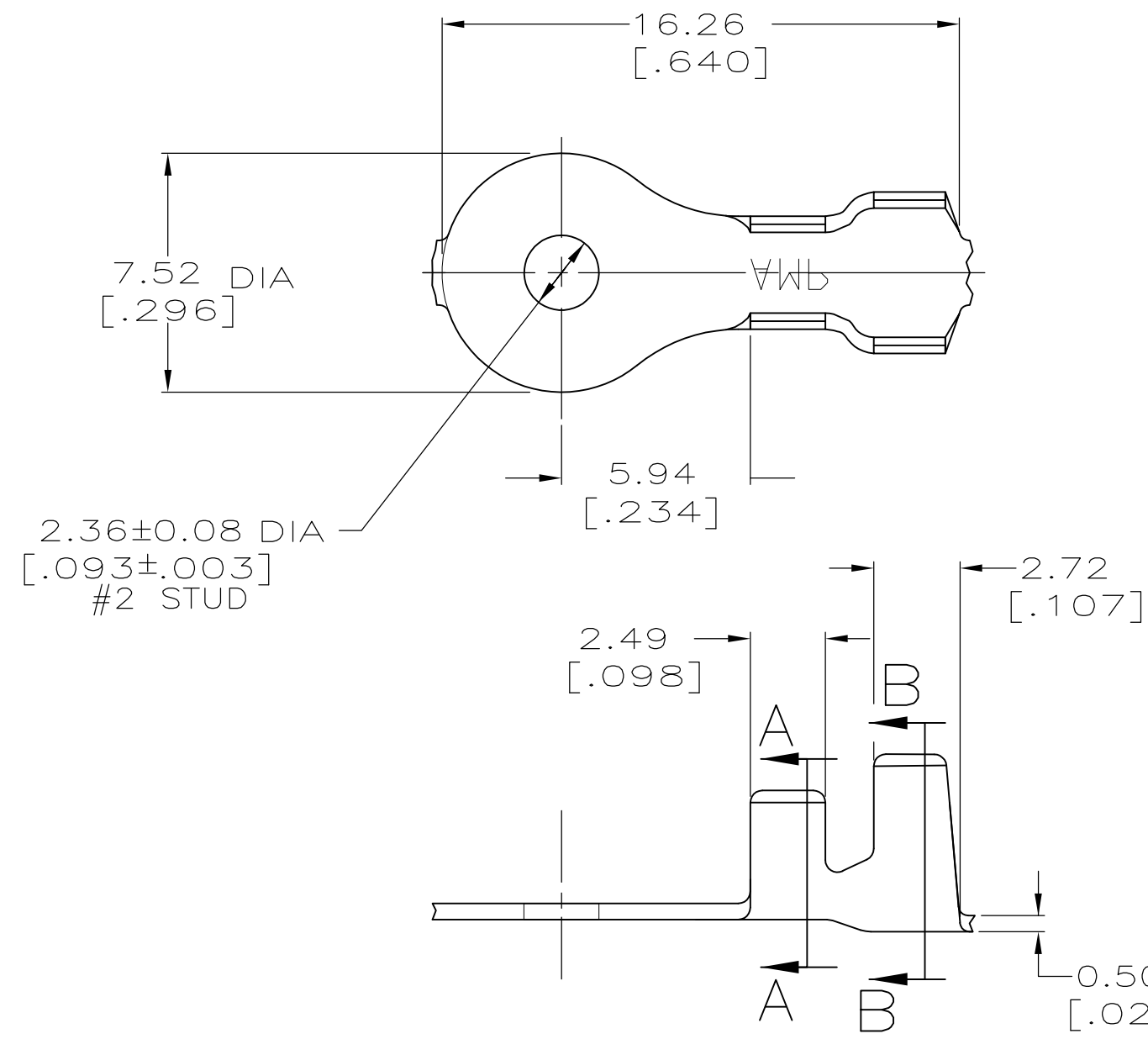
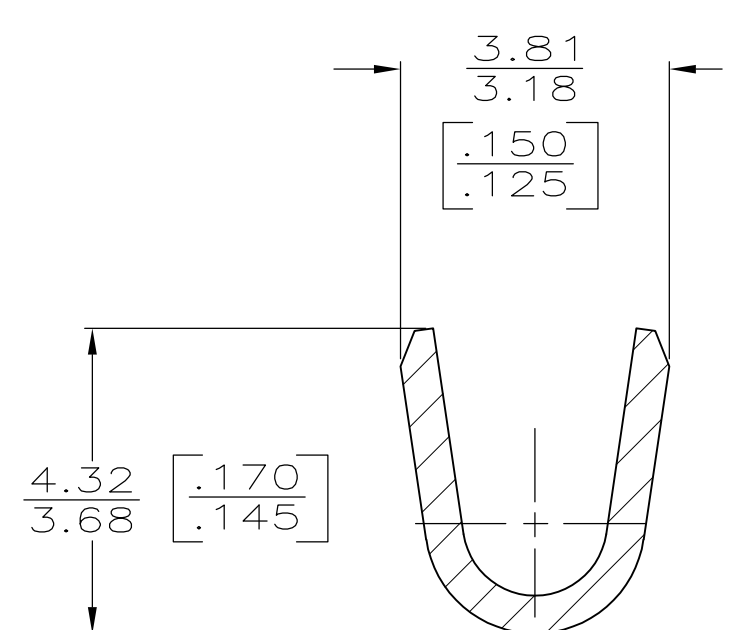


THIS DRAWING IS UNPUBLISHED. RELEASED FOR PUBLICATION
 © COPYRIGHT BY TYCO ELECTRONICS CORPORATION. ALL INTERNATIONAL RIGHTS RESERVED.

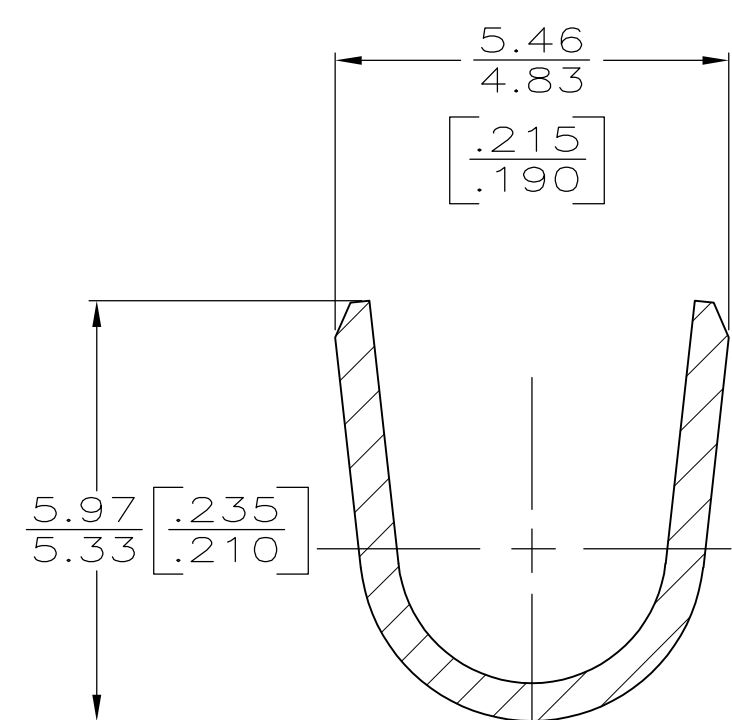
LOC	DIST	REVISIONS					
AF	50	P	LTR	DESCRIPTION	DATE	DWN	APVD
		B5		REVISED PER ECR-09-011282	20MAY09	HMR	DD



1 CONTINUOUS STRIP ON REEL.
 2 TIN PLATING



SECTION A-A
SCALE 10:1



SECTION B-B
SCALE 10:1

OBSOLETE	2	3.05-4.32 DIA	0.8-2.0mm	63750-2
		[.120-.170]	[18-14] AWG OR 2-0.8mm ² [18] AWG	63750-1
	FINISH	INSULATION RANGE	WIRE RANGE	PART NUMBER

THIS DRAWING IS A CONTROLLED DOCUMENT.		DWN M.S. FEHER 24OCT2006	Tyco Electronics Corporation Harrisburg, PA 17105-3608	
DIMENSIONS: INCHES	TOLERANCES UNLESS OTHERWISE SPECIFIED: 0 PLC ± - 1 PLC ± - 2 PLC ± 0.25 [.010] 3 PLC ± - 4 PLC ± - ANGLES ± -	CHK D.F. DECKER 24OCT2006	NAME RING TONGUE	
		APVD D.F. DECKER 24OCT2006	PRODUCT SPEC -	RESTRICTED TO -
MATERIAL 082 BRASS	FINISH SEE TABLE	APPLICATION SPEC -	WEIGHT -	SIZE A3
CUSTOMER DRAWING		SCALE 5:1	CAGE CODE 00779	DRAWING NO G-63750
		SHEET 1 OF 1	REV B5	

单击下面可查看定价，库存，交付和生命周期等信息

[>>TE Connectivity\(泰科\)](#)