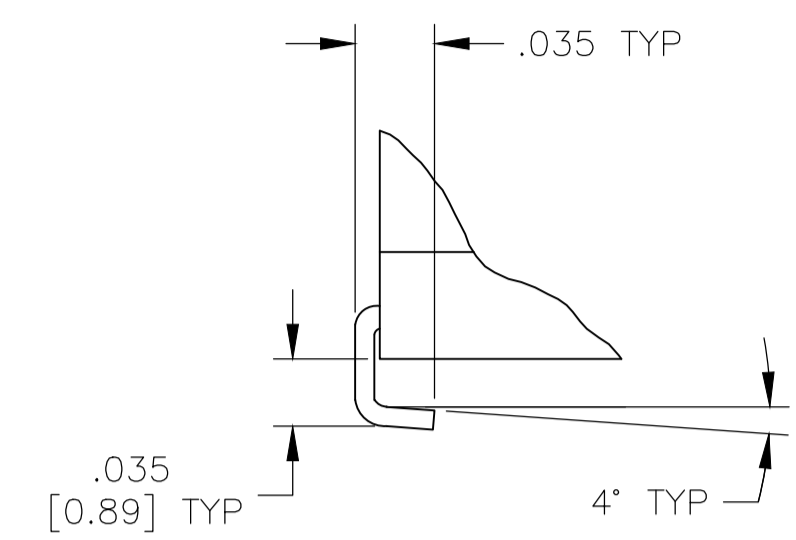
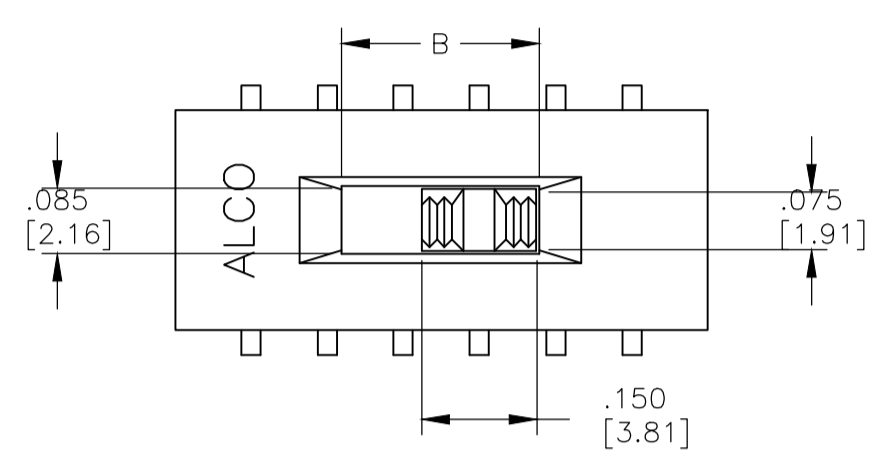
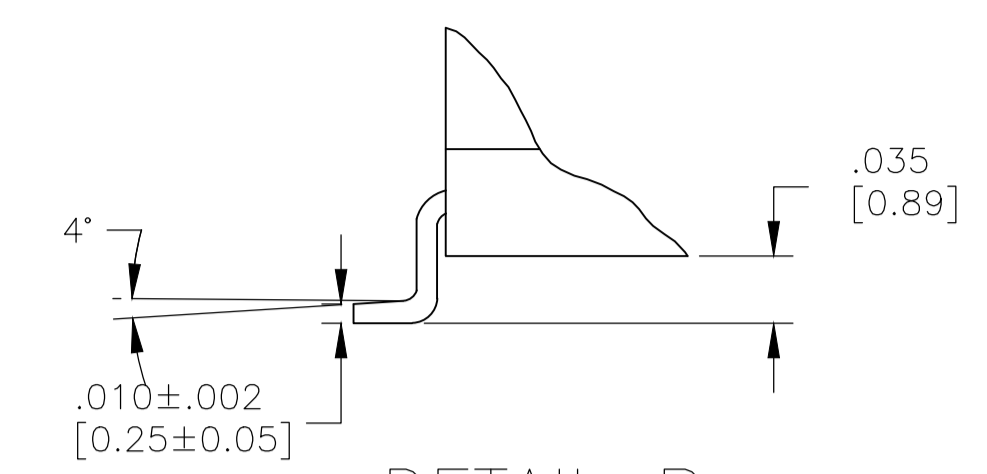


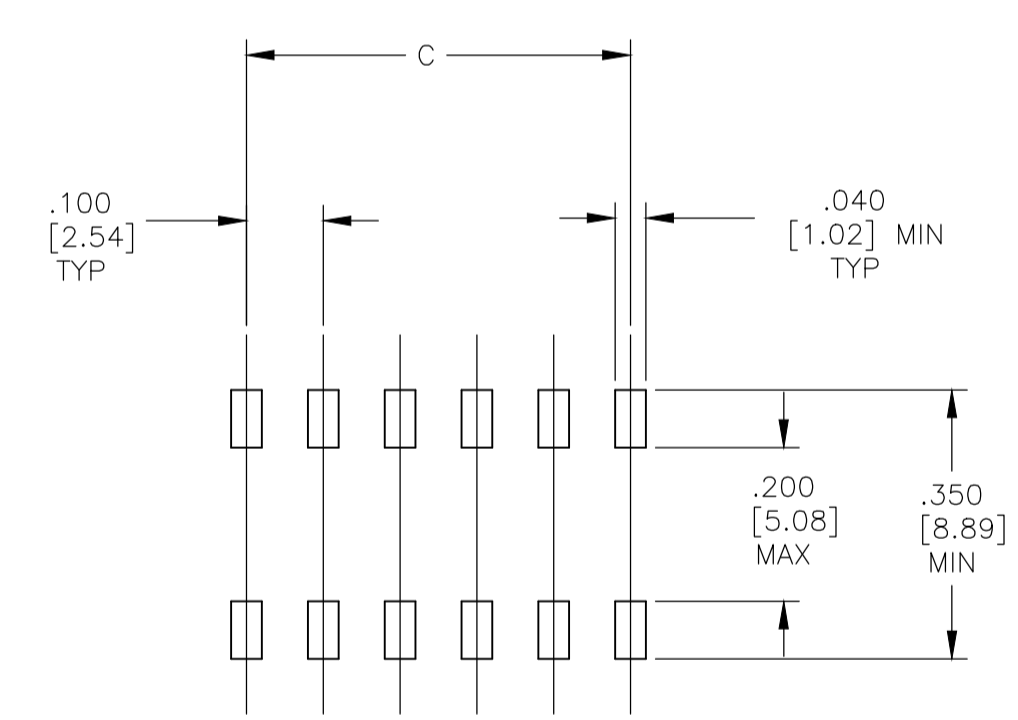
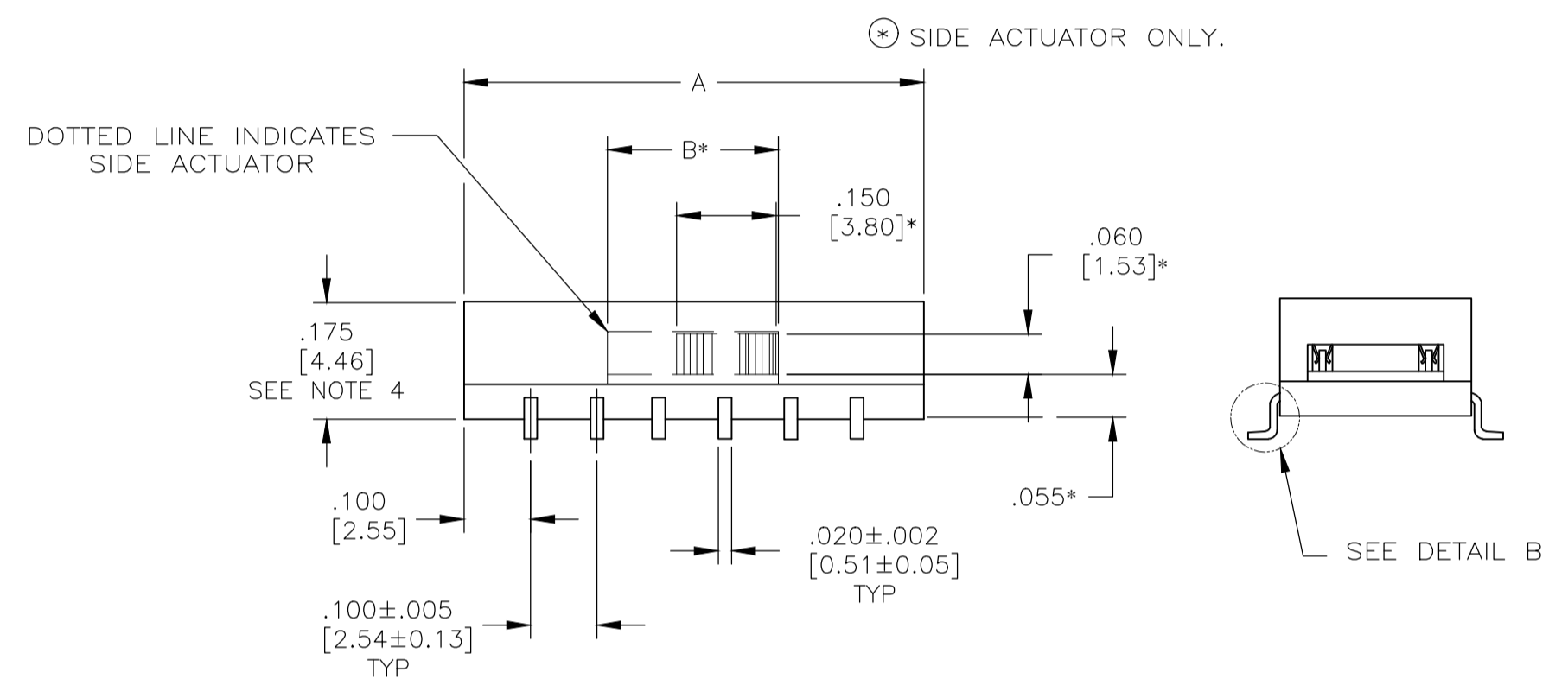
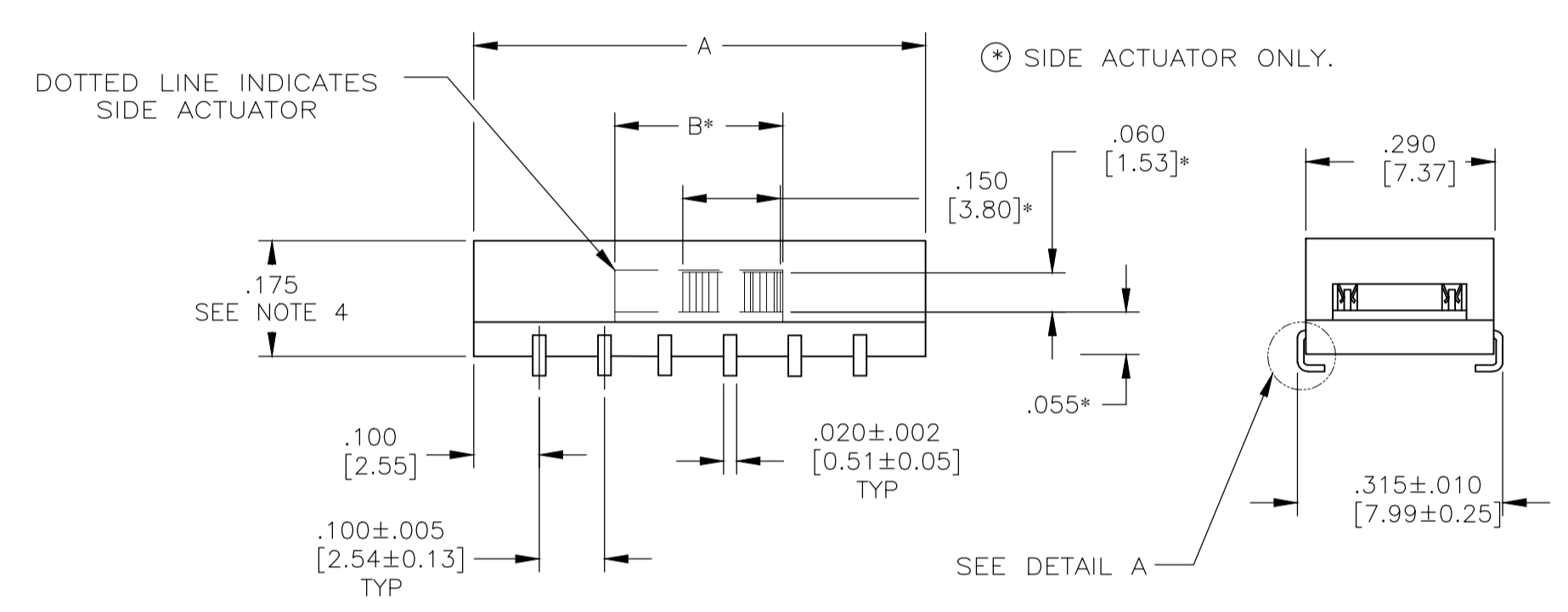
REVISIONS				
REV	DATE	BY	APP'D	DESCRIPTION
1				SEE SHEET 1



DETAIL A
SCALE 10:1

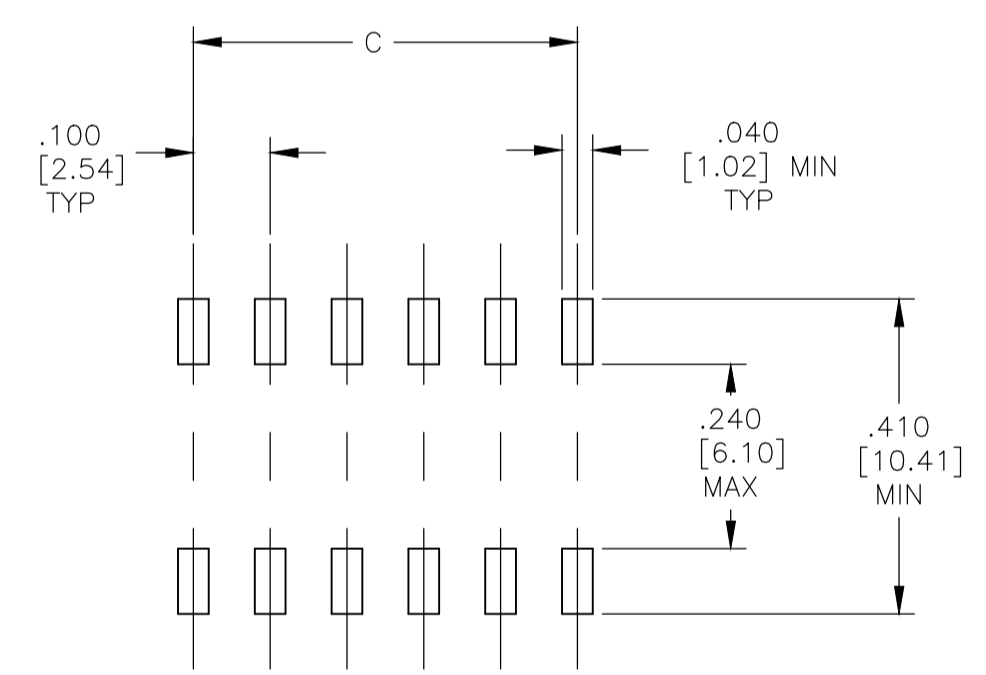


DETAIL B
SCALE 10:1



PRINTED CIRCUIT BOARD
PAD LAYOUT

"S" J-LEAD TYPE SURFACE MOUNT



PRINTED CIRCUIT BOARD
PAD LAYOUT

"L" GULL WING TYPE SURFACE MOUNT

THIS DRAWING IS A CONTROLLED DOCUMENT.		DIN B.S.VISWESWARA 20FEB05	STE TE Connectivity	
DIMENSIONS: INCHES [mm]		DRK M.S.SARVER 20FEB05	NAME SLIDE SWITCH ASF, AUTO-INSERTABLE, THRU-HOLE AND SURFACE MOUNT	
TOLERANCES UNLESS OTHERWISE SPECIFIED:		APVD M.S.SARVER 20FEB05	PRODUCT SPEC	
0 FLC ± -		APPLICATION SPEC		
1 FLC ± -		SIZE CAGE CODE DRAWING NO		
2 FLC ± -		WEIGHT		
3 FLC ± .01(0.25)		A1 00779 1825011		
4 FLC ± -		CUSTOMER DRAWING		
ANGLES ± 1°		SCALE 5:1 SHEET 2 OF 2 REV B2		
MATERIAL SEE SHEET 1	FINISH SEE SHEET 1			

单击下面可查看定价，库存，交付和生命周期等信息

[>>TE Connectivity\(泰科\)](#)