

REVISIONS		
LTR	DESCRIPTION	DATE
K	ECO-09-027564	12/11/2009

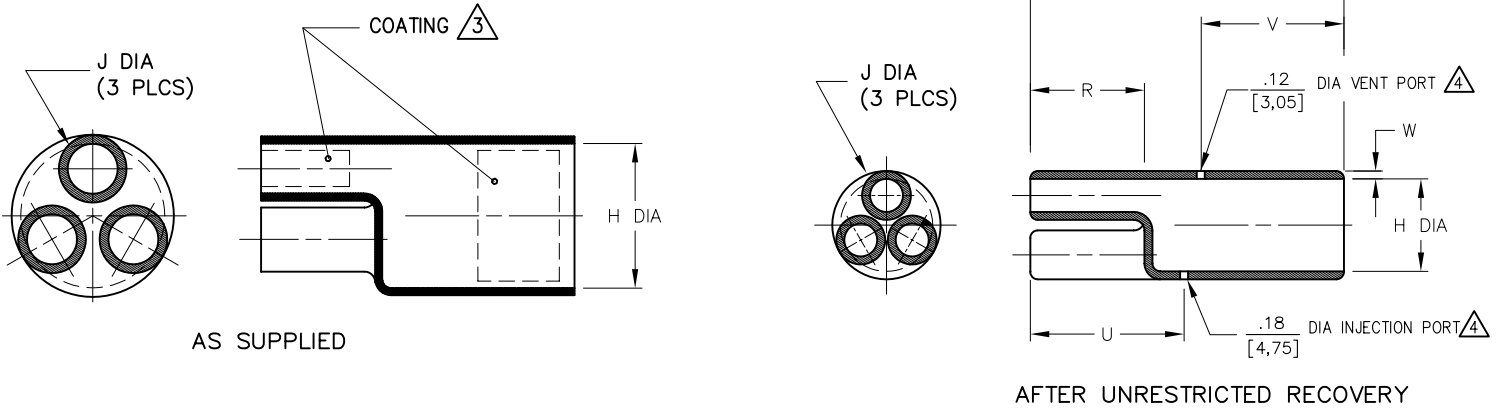
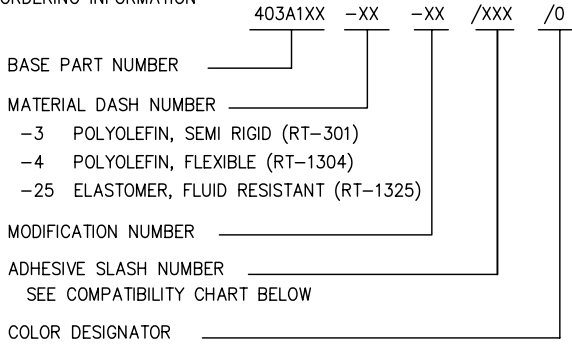
NOTES

- ALL DIMENSIONS ARE IN $\frac{\text{INCHES}}{\text{[MILLIMETERS]}}$
- DIMENSIONS APPEARING IN TABLE ARE AS FOLLOWS:
 - a - AS SUPPLIED
 - b - AFTER UNRESTRICTED RECOVERY

3 COATING (ADHESIVE): IS OPTIONAL AS SUPPLIED DIMENSIONS APPEARING IN TABLE ARE FOR UNCOATED PARTS. WHEN COATING IS ADDED, ENTRY DIAMETER WILL BE REDUCED BY .06 [1.5] MAX.

4 MOLDING PORTS ARE OPTIONAL. WHEN -00 MODIFICATION NUMBER IS SPECIFIED MOLDING PORTS WILL BE LOCATED AS SHOWN.

5. ORDERING INFORMATION



PART DESCRIPTION	H		J		P ±10%	R MIN	W ±20%	U REF	V REF
	MIN a	MAX b	MIN a	MAX b					
403A123	1.25 [31,7]	.69 [17,5]	.55 [14,0]	.18 [4,6]	3.50 [88,9]	.80 [20,3]	.09 [2,3]	1.34 [34,0]	1.48 [37,6]
403A134	1.75 [44,4]	.90 [22,8]	.87 [22,0]	.32 [8,1]	3.50 [88,9]	1.20 [30,5]	.12 [3,1]	1.59 [40,4]	1.59 [40,4]
403A145	2.46 [62,5]	1.40 [35,6]	1.16 [29,5]	.50 [12,7]	5.00 [127,0]	1.50 [38,1]	.12 [3,0]	2.19 [55,6]	2.00 [50,8]
403A155	2.76 [70,1]	1.40 [35,6]	1.16 [29,5]	.50 [12,7]	5.00 [127,0]	1.50 [38,0]	.12 [3,0]	2.19 [55,6]	2.00 [50,8]

If this document is printed it becomes uncontrolled. Check for the latest revision

CUSTOMER DRAWING

COMPATIBILITY CHART

MATERIAL DASH NO.	ADHESIVE (COATING) SLASH NO.	ADHESIVE (COATING) S NO.
-3	/42; /86; /87	S-1017; S-1048; S-1052
-4	/42; /86; /87	S-1017; S-1048; S-1052
-25	/86;	S-1048;

UNLESS OTHERWISE SPECIFIED DIMENSIONS ARE INCHES. METRIC DIMENSIONS ARE IN BRACKETS.

DECIMAL TOLERANCES

.xxx ± 0.005 [0.13 mm]

.xx ± 0.01 [0.25 mm]

.x ± 0.1 [0.50 mm]

ANGLE TOLERANCE

.x ± 1 DEG.

TYCO ELECTRONICS RESERVES THE RIGHT TO AMEND THIS DRAWING AT ANY TIME. USERS SHOULD EVALUATE THE SUITABILITY OF THE PRODUCT FOR THEIR APPLICATION.

DRAWN
UNGUYEN

APPROVED
STRAN

THIRD ANGLE PROJECTION

Tyco Electronics

Raychem Molded Parts
305 Constitution Dr
Menlo Park, CA 94025

TITLE
CABLE BREAKOUT, 1 TO 3

SIZE
B

CODE IDENT. NO.
06090

DWG. NO.
403A123thru155

© 2008-2009 Tyco Electronics Corporation. All rights reserved.

DO NOT SCALE THIS DRAWING

SHEET 1 OF 1

单击下面可查看定价，库存，交付和生命周期等信息

[>>TE Connectivity\(泰科\)](#)