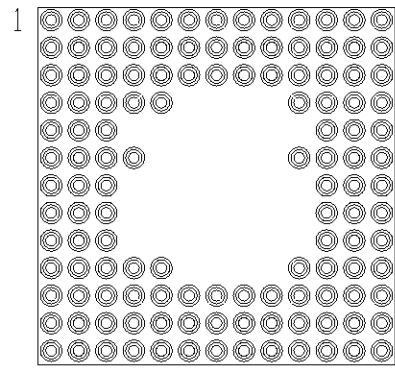


DRAWING NO
C - 210790



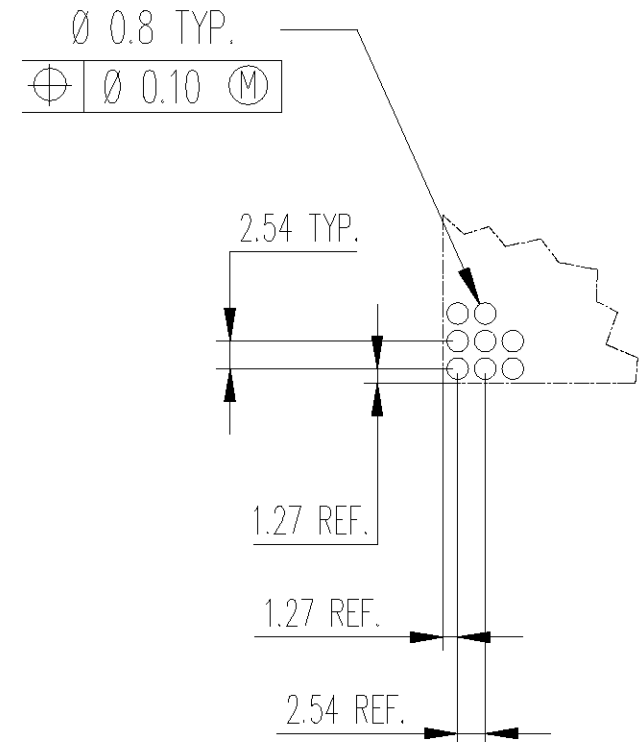
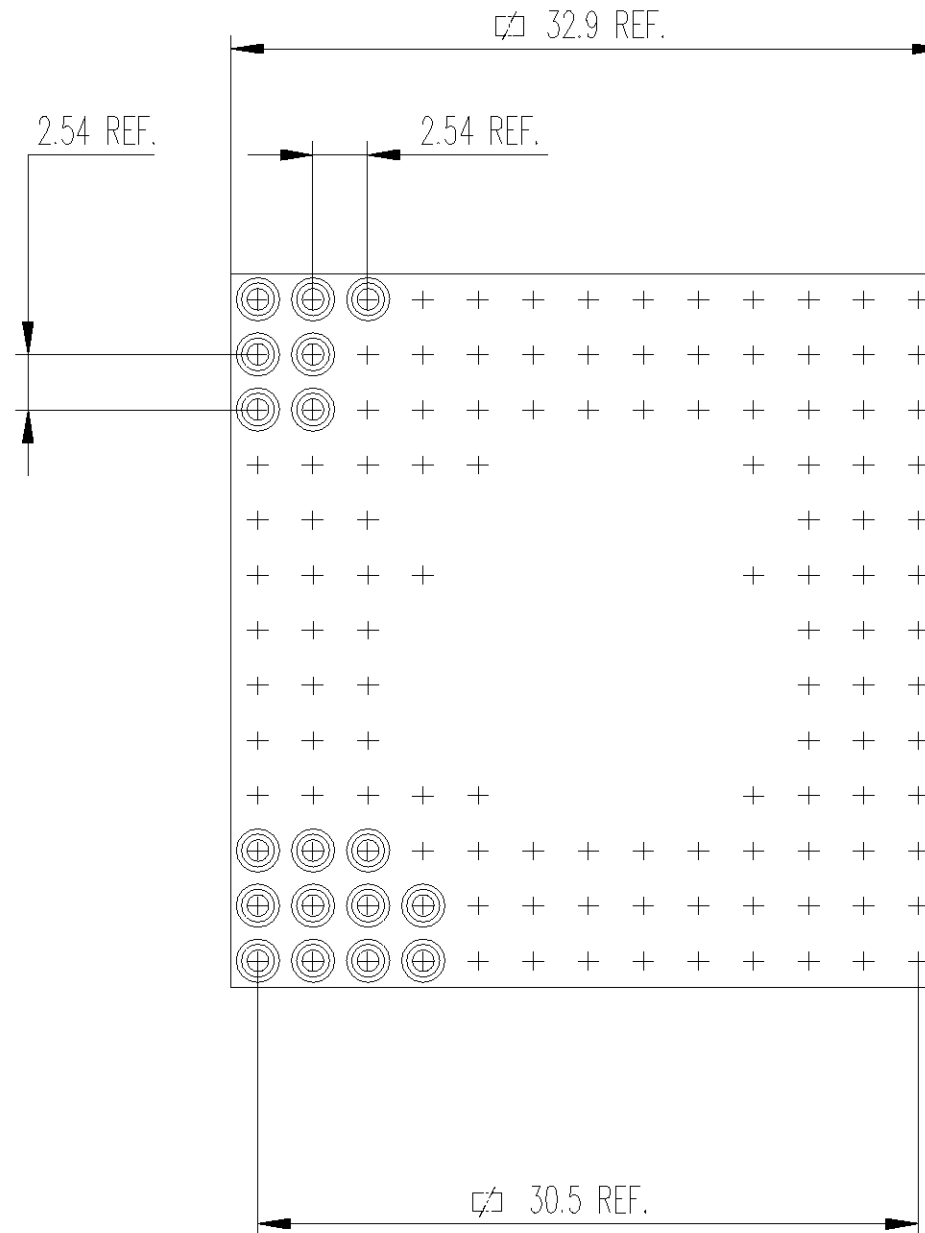
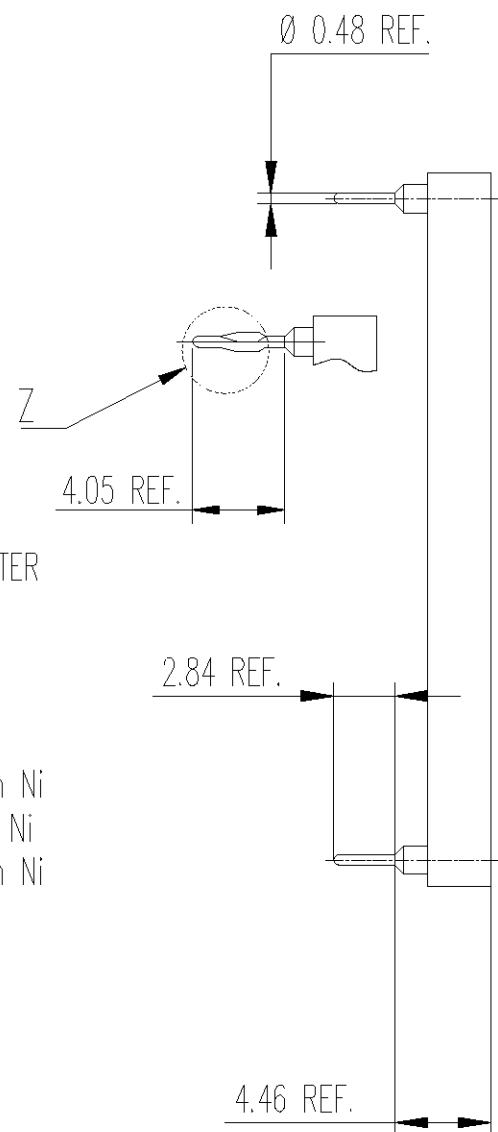
128 positions

Ech. 1:1

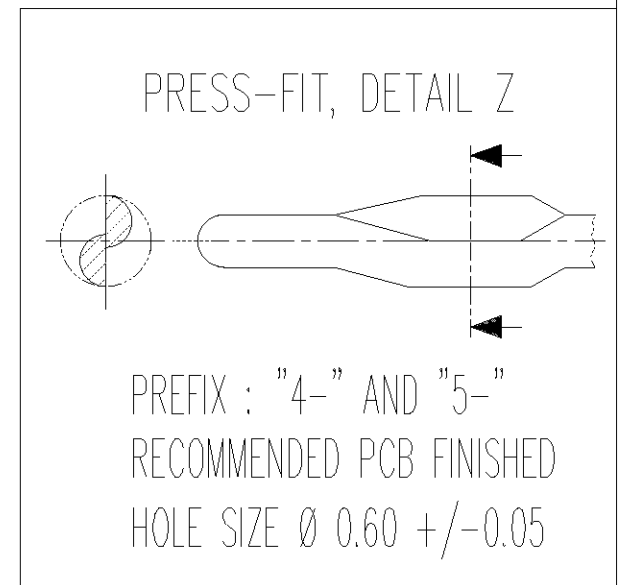
NOTE :

1. MATERIAL
 - INSULATOR : GLASSFILLED THERMOPLASTIC POLYESTER
 - SOLDER TAIL SLEEVE : BRASS
 - PRESS-FIT SLEEVE : PHOSPHOR BRONZE
 - CLIP : STAMPED BERYLLIUM COPPER
2. SLEEVE PLATING:
 - PREFIX "0-" AND "2-": 5µm Sn/Pb OVER 2-3µm Ni
 - PREFIX "1-" AND "3-": 0.25µm Au OVER 2-3µm Ni
 - PREFIX "4-" AND "5-": 3µm Sn/Pb OVER 2-3µm Ni
3. INNER CONTACT PLATING
 - SUFFIX "-1" 0.25µm 18c. Au
 - SUFFIX "-3" 0.75µm 18c. Au
 - SUFFIX "-4" 0.75µm 24c. Au
 - SUFFIX "-5" 5µm MIN. Sn/Pb **
 - SUFFIX "-6" 0.1µm FLASH 24c. Au
 - SUFFIX "-7" 0.60µm 18c. Au
 - ** ONLY WITH PREFIX "0-", "2-", "4-" AND "5-"
4. INNER SPRING CONTACT ACCEPT Ø 0.40 TO 0.56 OR RECTANGULAR PIN 0.25 x 0.45
5. INSERTION CHARACTERISTICS:
 - PREFIX "0-", "1-" AND "4-": VERY LOW FORCE
 - PREFIX "2-", "3-" AND "5-": ULTRA LOW FORCE
6. MECHANICAL DATA WITH A Ø 0.43 TEST PIN :

	VLI	ULI
-MAX. INSERTION FORCE :	0.7N	0.2N
-MIN. EXTRACTION FORCE :	0.1N	0.05N
-MECHANICAL LIFE :	100 CYCLES MIN.	



RECOMMENDED P.C.
BOARD PATTERN



DIMENSIONS	mm					DRAWN S.CHANDEVault	21 JUL 99	THIS INFORMATION IS CONFIDENTIAL AND IS DISCLOSED TO YOU ON CONDITION THAT NO FURTHER DISCLOSURE IS MADE BY YOU TO OTHER THAN AMP PERSONNEL WITHOUT WRITTEN AUTHORIZATION FROM DSM SWITZERLAND.				
						CHECKED A. BOLIS	21 JUL 99					
SURFACE TEXTURE						APPROVED						
CONCENTRICITY		0.15	A1	NEW CAD DRAWING				NAME CLOSED FRAME PGA 13 x 13, 128 SOCKETS				
PRODUCT SPEC.			A	EW00-0020-97	P.A.MEIER	02 APR 97	P.A.MEIER					
			P	REV	ECN	DRWN	DATE	APVD	CUSTOMER DRAWING FOR REFERENCE ONLY			
			DSM DECOLLETAGE SA SAINT-MAURICE CH 1890 SAINT-MAURICE (VS)				LOC EK	SCALE 2/1	SIZE A4	DRAWING NO C - 210790	SHEET 1 OF 1	REVISION A1

WAS 700-128-13-1-CC AND CCAP

单击下面可查看定价，库存，交付和生命周期等信息

[>>TE Connectivity\(泰科\)](#)