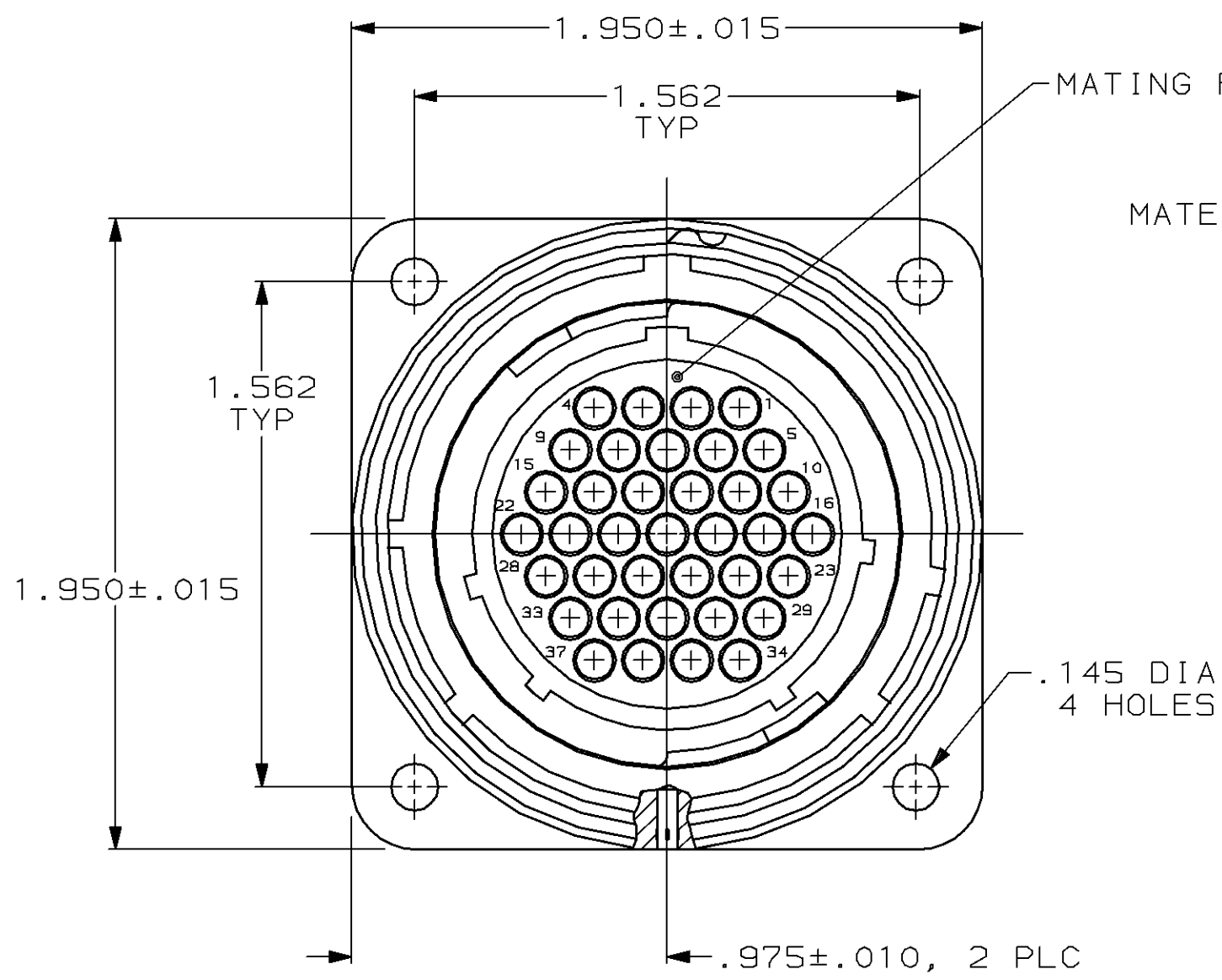


REVISIONS				DATE	APPD
ZONE	LTR	DESCRIPTION			
	H	REDRAWN	6-26-91	-	
	J	OBS -2 PER EC 0020-0394-93	11/17/94	RK	



MATING FACE
 RECEPTACLE, REV SEX
 ARRANGEMENT 23-37
 MATERIAL: THERMOPLASTIC
 COLOR: BLACK

METAL SHELL RECEPTACLE
 MATERIAL: ZINC ALLOY
 FINISH: NICKEL PLATED
 PER QQ-N-290

GROOVED PIN, 2 PLC
 MATERIAL: STEEL ALLOY
 FINISH: NICKEL PLATED
 PER QQ-N-290

PERIPHERAL SEAL
 SEE TABLE

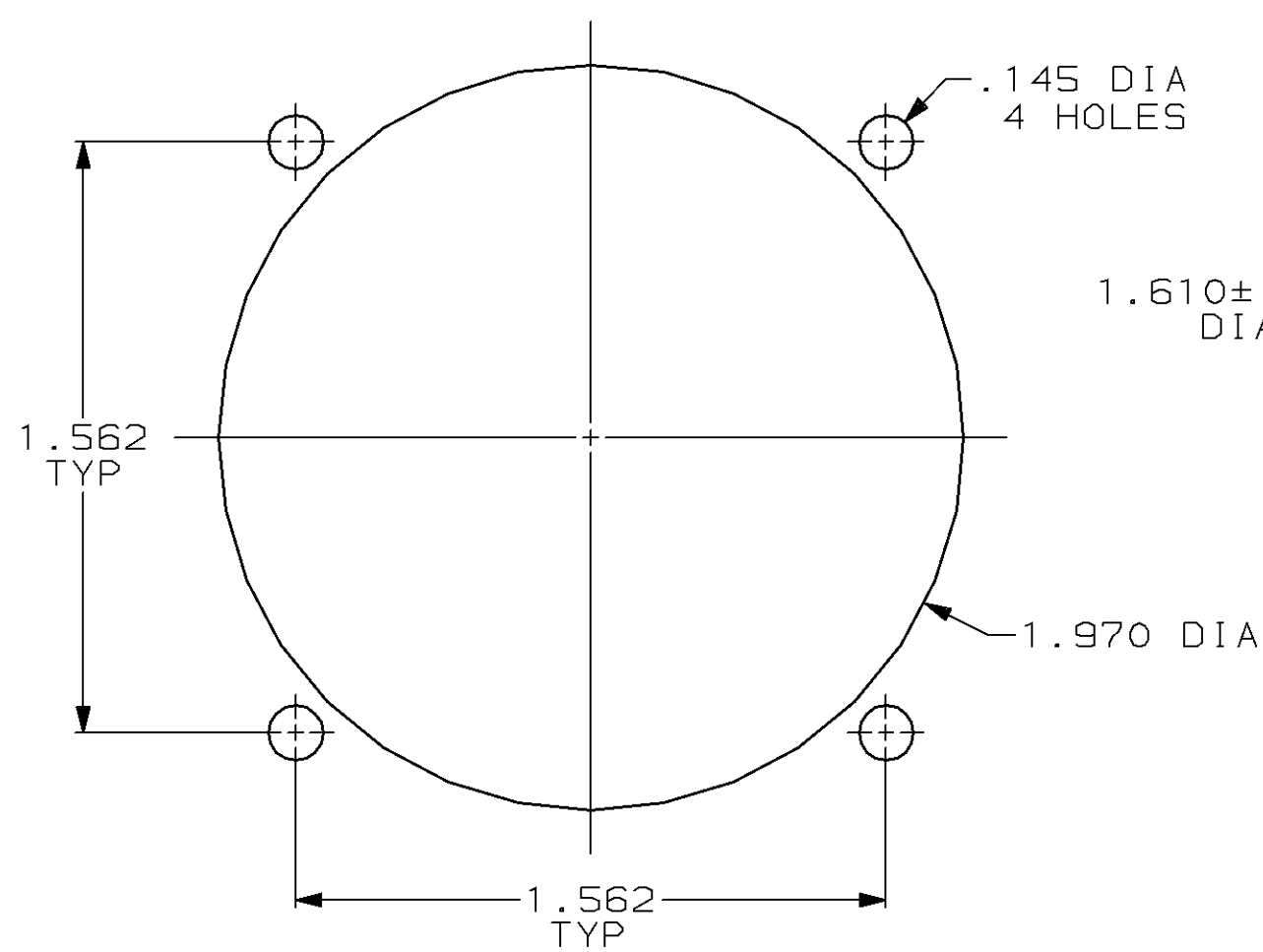
1.900 MAX

.125 MAX
 PANEL THK

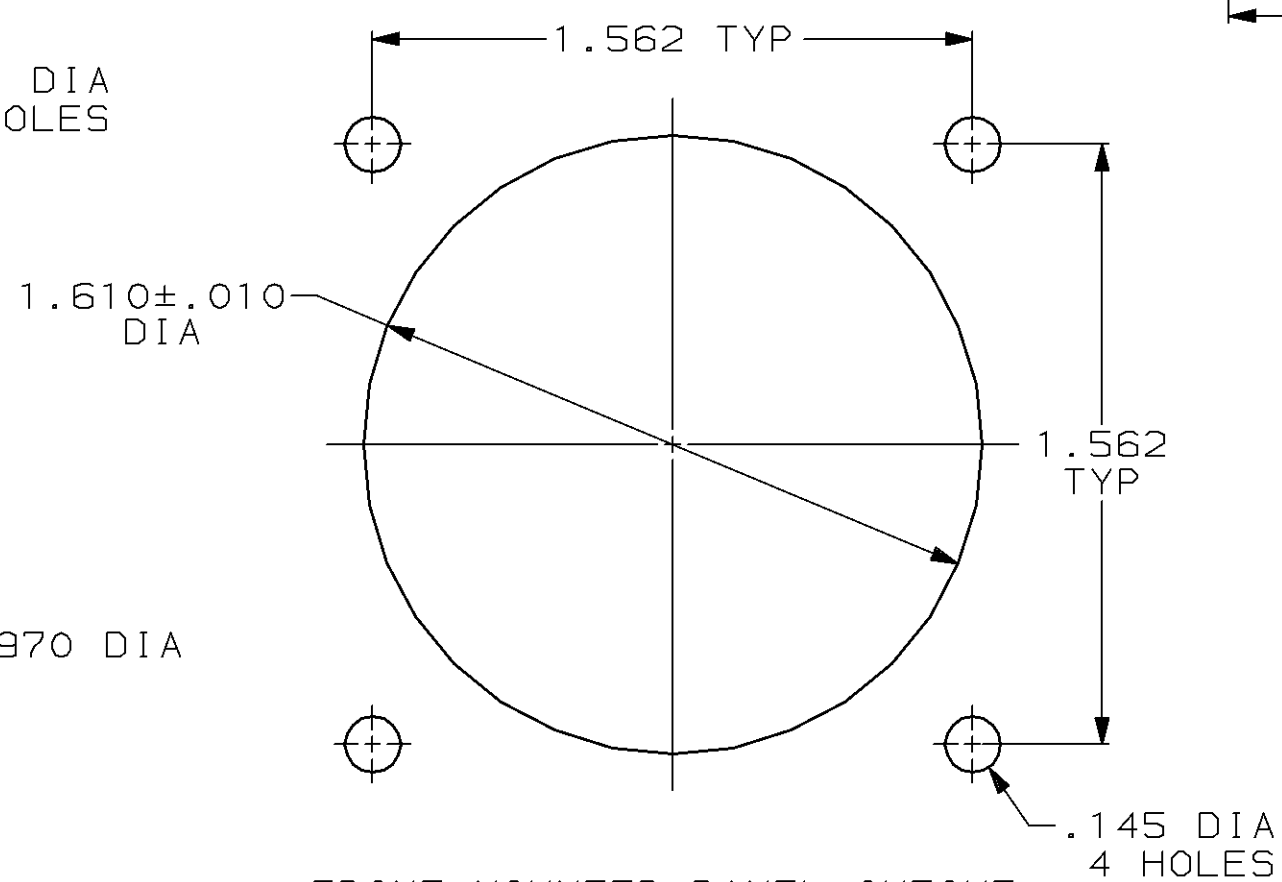
.875±.010

.125±.010

1.260 MAX



REAR MOUNTED PANEL CUTOUT



FRONT MOUNTED PANEL CUTOUT

OBSOLETE	YES	208473-2
	NO	208473-1
PERIPHERAL SEAL		PART NUMBER

- 208473-1 MATES WITH AMP PLUG 208472-1 OR -3. 208473-2 MATES WITH 208472-1 ONLY.
- AMP PART NUMBER AND DATE CODE TO BE LOCATED ON EDGE OF FLANGE.

DO NOT SCALE PRINT. UNLESS SPECIFIED DIMENSIONS IN INCHES TOLERANCES ON :	DR 6-26-91 R.LEE BG	AMP Incorporated Harrisburg, PA 17105-3608
	CHK 4-15-92 W.G.LENKER	
MATERIAL	APPD 4-15-92 K.BEAVER	
SEE CALLOUT	APPD 4-15-92 C.ROHDE	
FINISH	PRODUCT SPEC 108-10040	NAME
SEE CALLOUT	APPLICATION SPEC -	RECEPTACLE ASSEMBLY, REV SEX, SERIES 1, 28-37, CMC
WEIGHT -	SIZE C	CAGE CODE 00779
	SCALE 2:1	DRAWING NO 208473
		SHEET 1 OF 1

单击下面可查看定价，库存，交付和生命周期等信息

[>>TE Connectivity\(泰科\)](#)