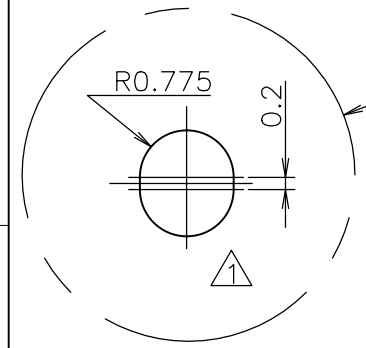
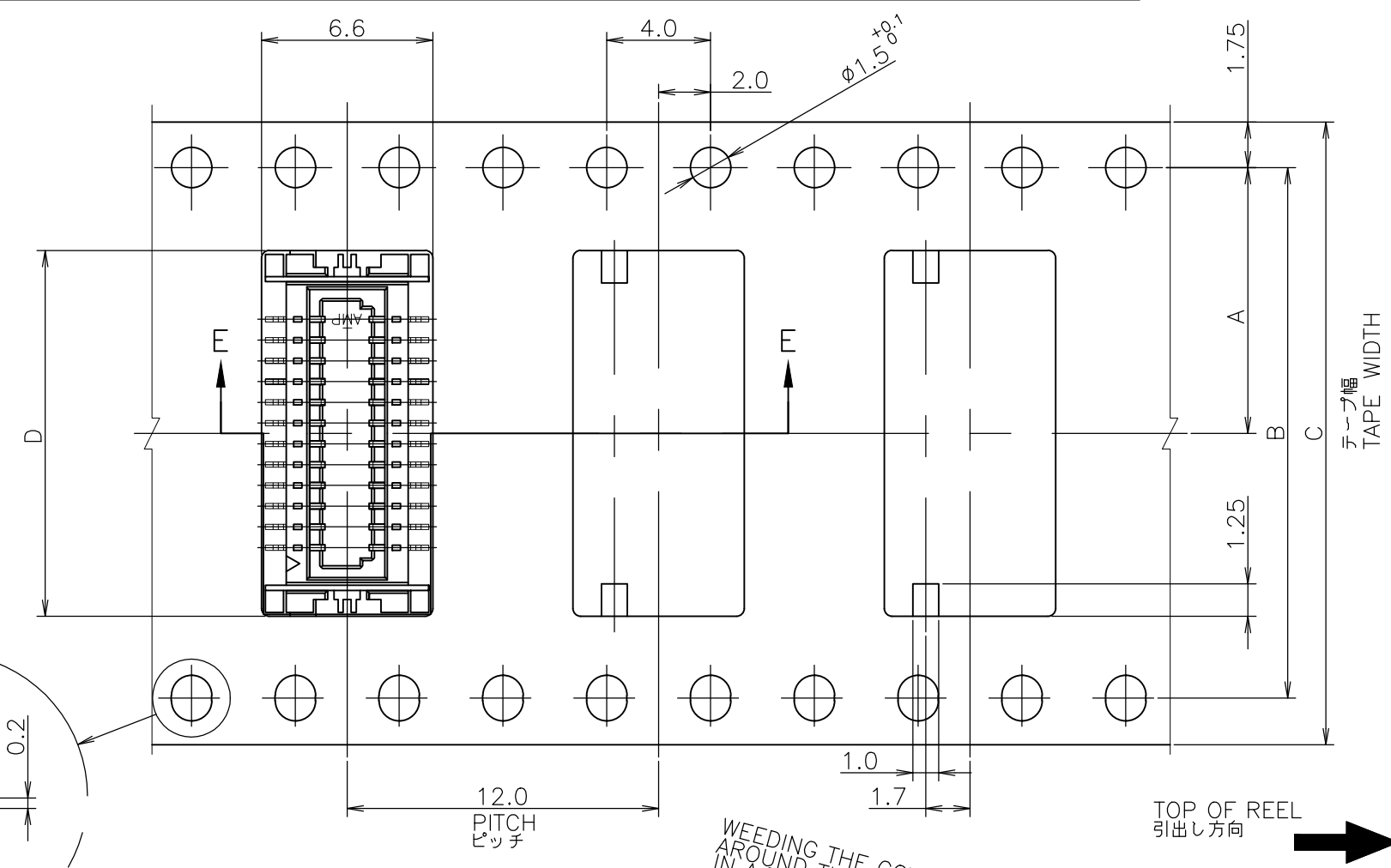
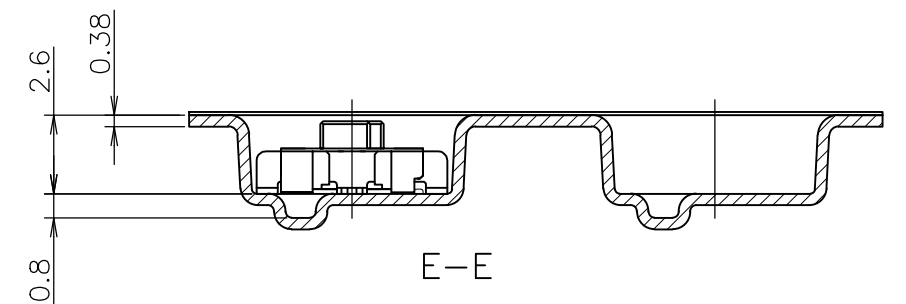


THIS DRAWING IS UNPUBLISHED. RELEASED FOR PUBLICATION . FEB 1995
 © COPYRIGHT 1995 TE Connectivity Ltd. ALL RIGHTS RESERVED.

REVISIONS 変更					
P	LTR	DESCRIPTION	DATE	DWN	APVD
	B	REVISED PER ECO-18-011678	20JUL18	R.L	H.L

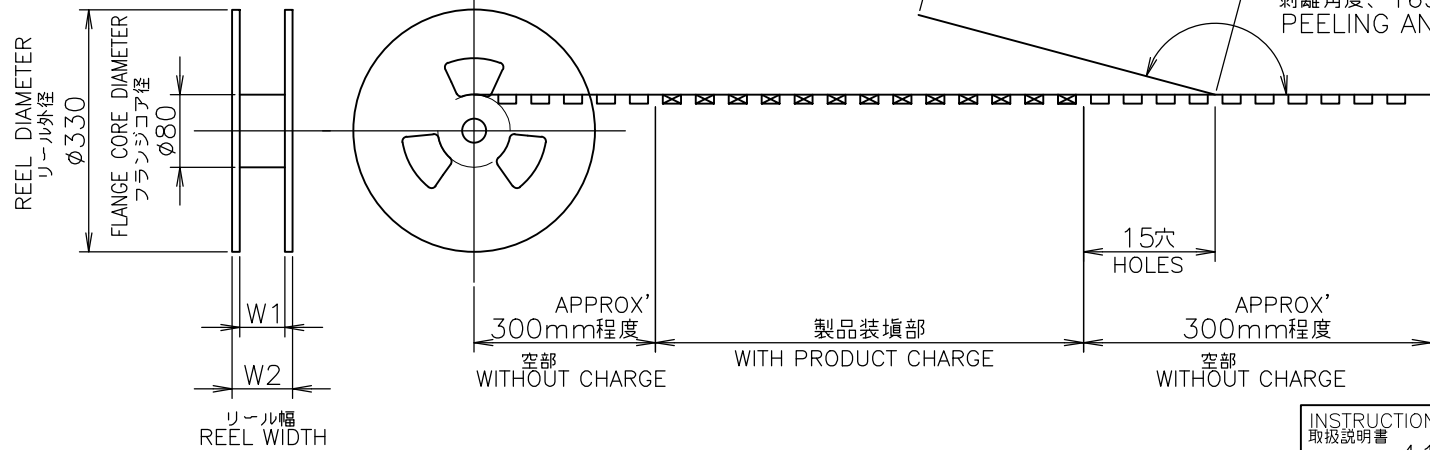


- ⚠ 指示穴は40極品のみ適用。
- ⚠ THESE HOLES ARE APPLIED TO 40 Pos. ONLY.
- ⚠ OBSOLETE PARTS: OBSOLETE CIS STREAMLINING PER D.RENAUD/D.SINISI



WEEDING THE COVER TAPE AROUND THE OUTER PERIPHERY IN A TURN.
 カバーテープ リーダー部 外周一巻
 剥離角度、165°~180° PEELING ANGLE.

鉛フリー
LEAD FREE



⚠ OBSOLETE OBSOLETE	37.5	33.5	20.5	32	28.4	14.2	↑	40	4-	↑ -0	-4	↑ -0
	↑	↑	16.5	↑	---	↑		30	3-	-0	3-	-0
	↑	↑	14.1	24	---	11.5		24	2-	-4	2-	-4
	↑	↑	10.9	↑	---	↑		16	1-	-6	1-	-6
	21.5	17.5	10.1	16	---	7.5	1500	14	1-	-6	1-	-6
	W2	W1	D	C	B	A	数量 (ヶ)	極数	コネクタ型番 (バラ状)		リール巻 コネクタ型番	
							QTY/REEL	POS	CONNECTOR P/N (L/P)		TAPING P/N	

INSTRUCTION SHEET
取扱説明書 411-5654

THIS DRAWING IS A CONTROLLED DOCUMENT.		DWN Y.NAKAZAWA 15FEB95	TE Connectivity Ltd.	
		CHK K.ASAKAWA 20FEB95		
DIMENSIONS: 単位: 耗 mm		APVD S.KUBOUCHI 21FEB95	NAME 名称 エンボス詰 プラグ・アッセンブリ PLUG ASSEMBLY WITHOUT BOSS 0.8mm 0.8mm PITCH B-T-B CONNECTOR (MATING HEIGHT 3mm)	
TOLERANCES UNLESS OTHERWISE SPECIFIED: 一般公差		PRODUCT SPEC 製品規格 108-5424	SIZE A3	
0 PLC ± 0.2 1 PLC ± 0.2 2 PLC ± 0.2 3 PLC ± 0.2 4 PLC ± 0.2 ANGLES ± 3°		APPLICATION SPEC 取付適用規格	DRAWING NO 番号 C-179702	
MATERIAL 材料		FINISH 仕上	RESTRICTED TO	
		WEIGHT 0.000000	SCALE 尺度 4:1	
CUSTOMER DRAWING		SHEET 1 OF 1		REV B

单击下面可查看定价，库存，交付和生命周期等信息

[>>TE Connectivity\(泰科\)](#)