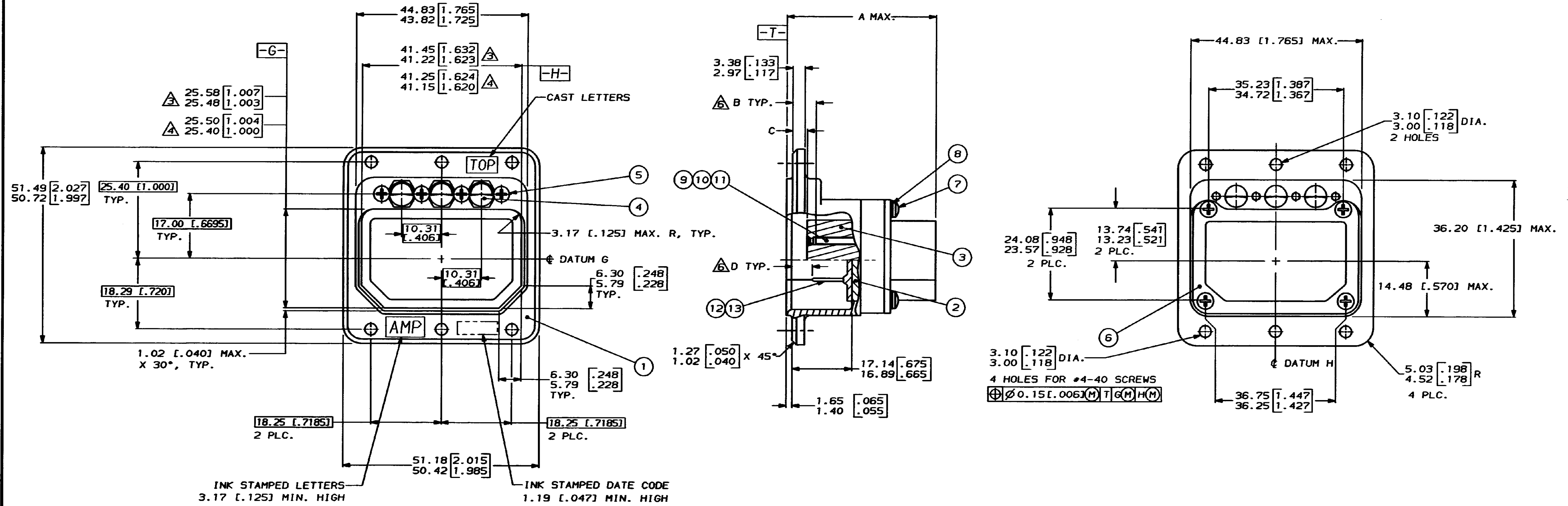
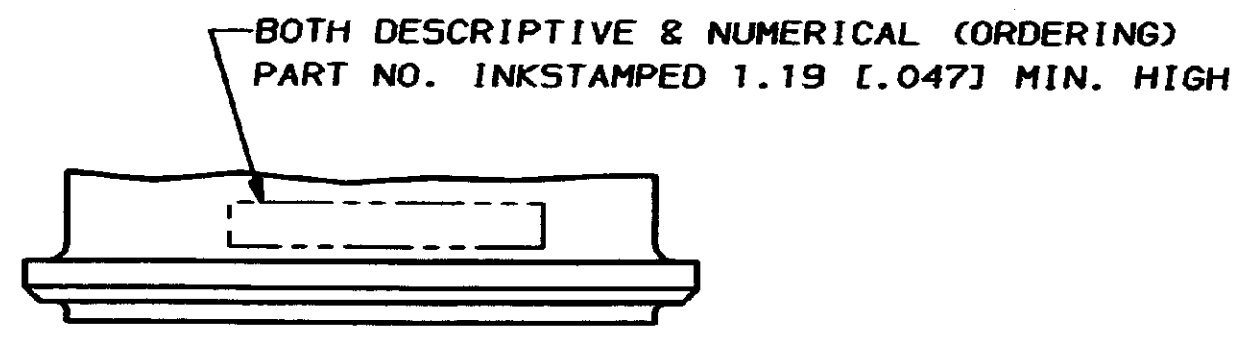
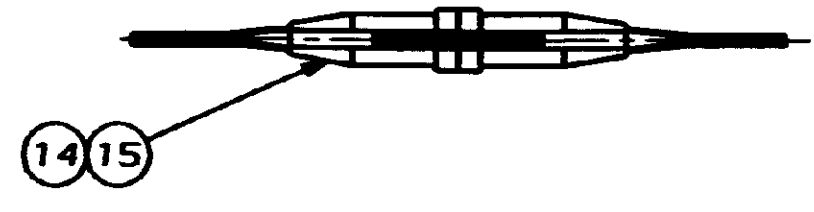


DRAWING MADE IN THIRD ANGLE PROJECTION
 THIS DRAWING IS UNPUBLISHED. RELEASED FOR PUBLICATION
 © COPYRIGHT 19 BY AMP INCORPORATED, HARRISBURG, PA. ALL INTERNATIONAL RIGHTS RESERVED. AMP PRODUCTS MAY BE COVERED BY U.S. AND FOREIGN PATENTS AND/OR PATENTS PENDING.

5049		LOC	DIST	P	F	ZONE	LTR	REVISIONS		DATE	APPD
								0	RELEASED	3-11-87	MPH
								A	REV PER DF-0440	3-16-88	JTA
								B	REV PER ECN DF-0770 TW	3-89	EJW
								C	REV PER ECO-16-012137	10-16	CT



- CONTACTS SHOWN LOADED FOR ILLUSTRATION ONLY; ARE INCLUDED IN A CONTAINER WITHIN CONNECTOR PACKAGE FOR SHIPMENT.
- FOR INSERT ARRANGEMENTS AND DIMENSIONS, SEE TABLES ON SHEET 2 OF 2.
- DIMENSION TAKEN AT 7.67/7.57 [.302/.298] FROM TOP EDGE.
- DIMENSION TAKEN AT 1.32/1.22 [.052/.048] FROM BOTTOM OF CAVITY.
- DIMENSIONS IN BRACKETS ARE IN INCHES.
- FOR CONTACT SIZE #22, DIMENSION "B" REPRESENTS PIN CONTACTS AND DIMENSION "D" REPRESENTS SOCKET CONTACTS.



METRIC

UNLESS OTHERWISE SPECIFIED DIMENSIONS ARE IN MM TOLERANCES ON:		DR	M. HOFFECKER	3-11-87	PART NO	
2 PL DEC ±	—	CHK	L. LAWVER	3-11-87	AMP INCORPORATED Harrisburg, Pa. 17105	
3 PL DEC ±	—	APPD	E. HOWARD	3-11-87	NAME	
ANGLES	± 0°30'	APPD	D. SMITH	3-12-87	RECEPTACLE CONN. KIT, ARINC 404, SINGLE INSERT, RM1R SERIES	
MATERIAL	SEE TABLE SHT. 2 OF 2	PRODUCT SPEC			SIZE	D
FINISH	SEE TABLE SHT. 2 OF 2	APPLICATION SPEC			FSCN NO	00779
		WEIGHT			DRAWING NO	213436
					SCALE	2:1
					SHEET	1 OF 2

CUSTOMER DRAWING

单击下面可查看定价，库存，交付和生命周期等信息

[>>TE Connectivity\(泰科\)](#)