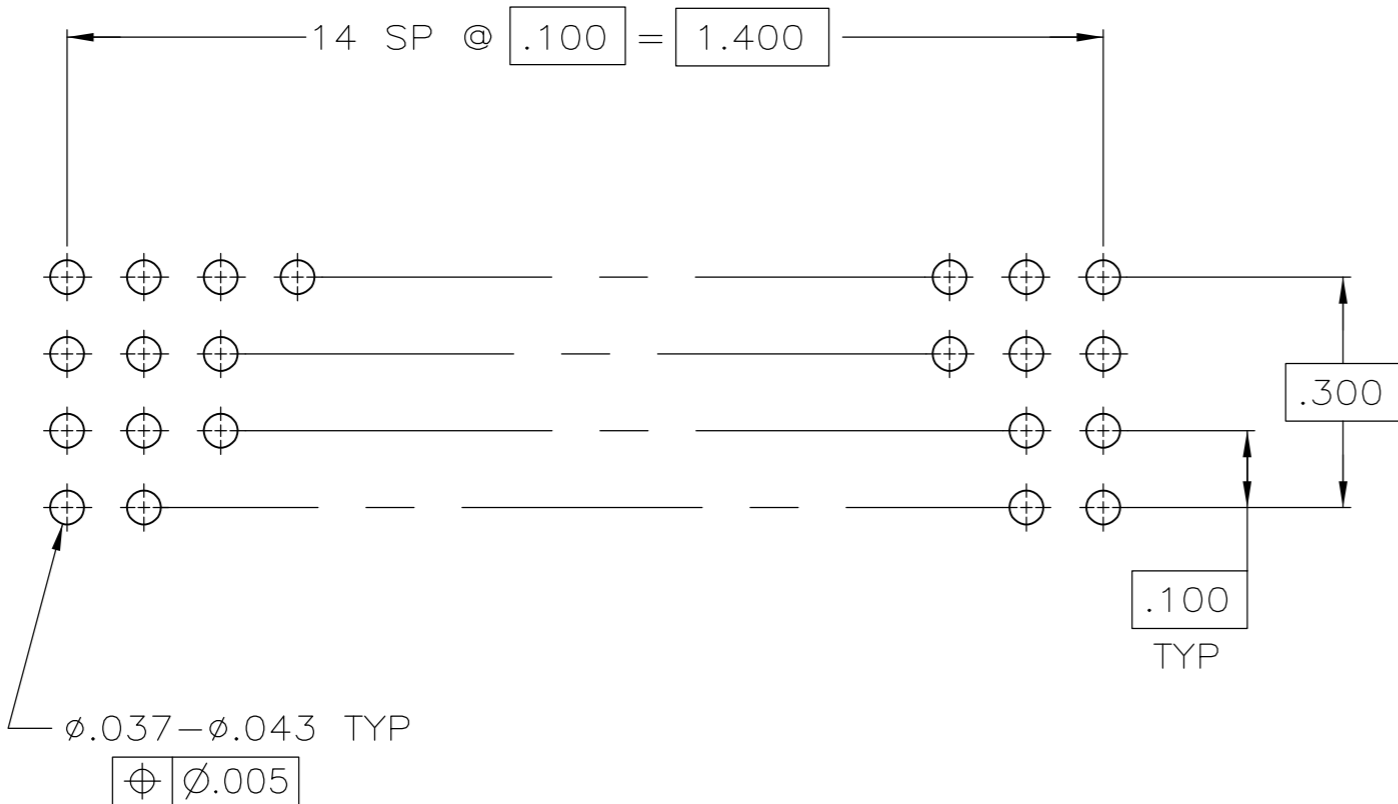
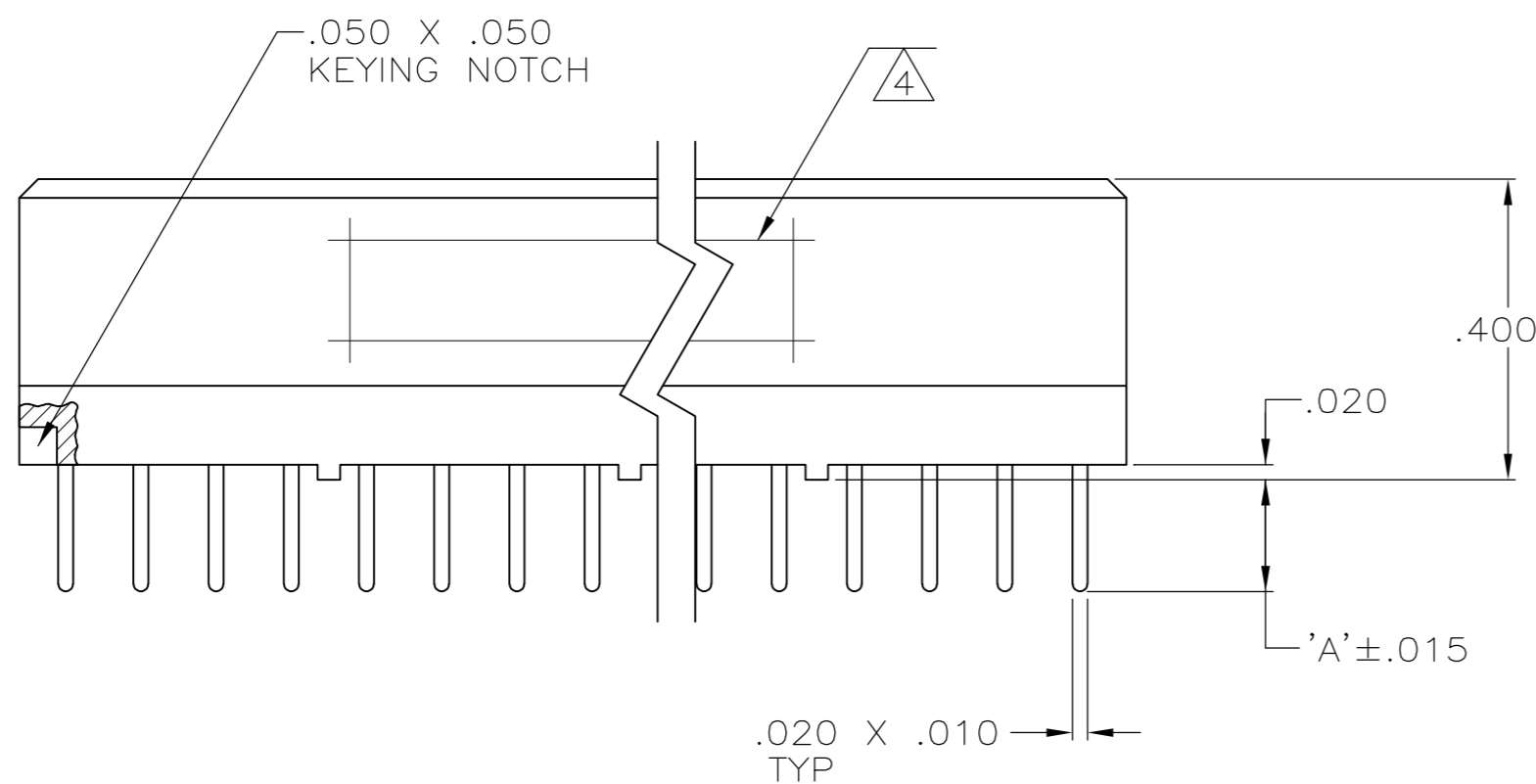
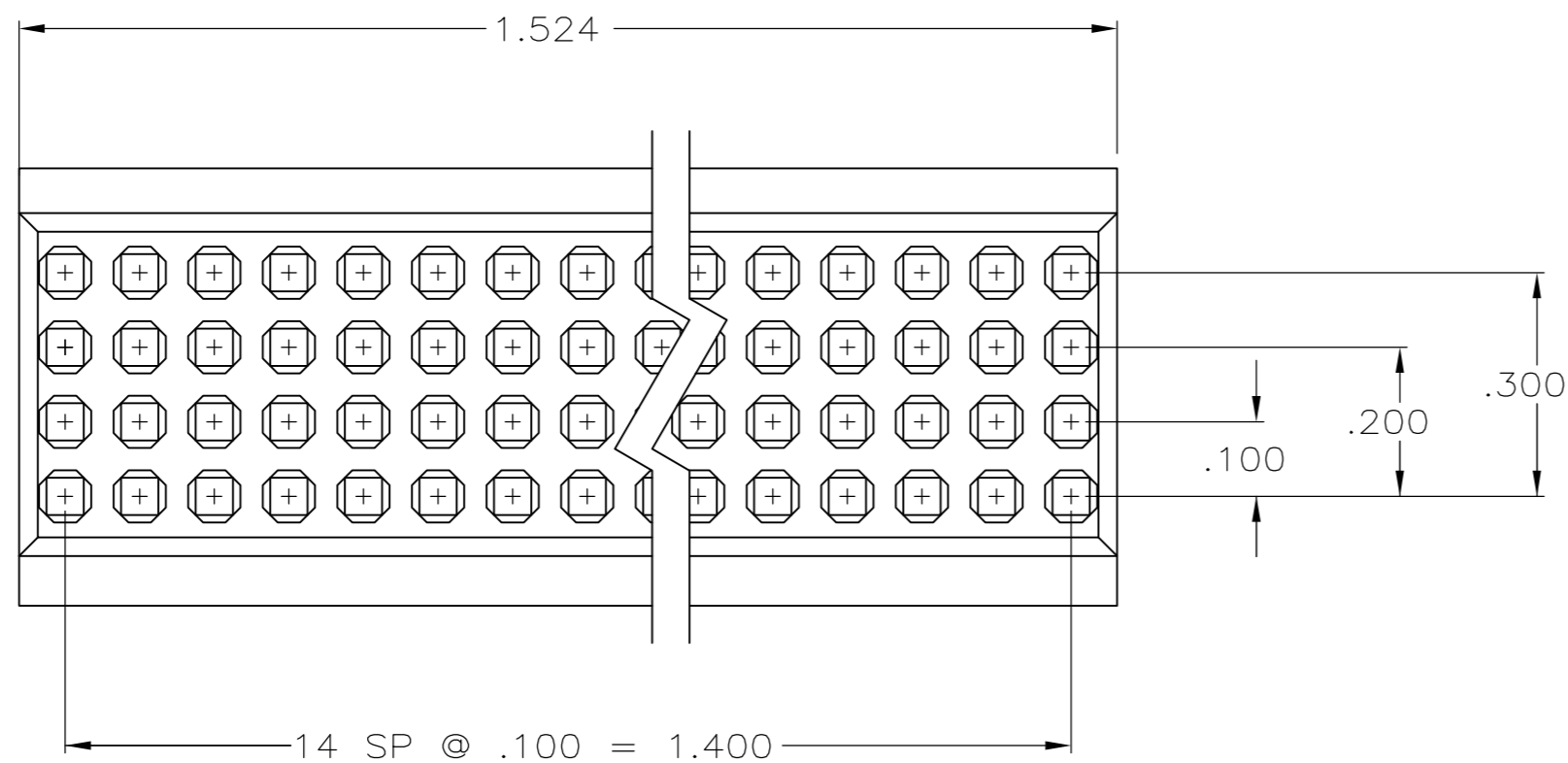


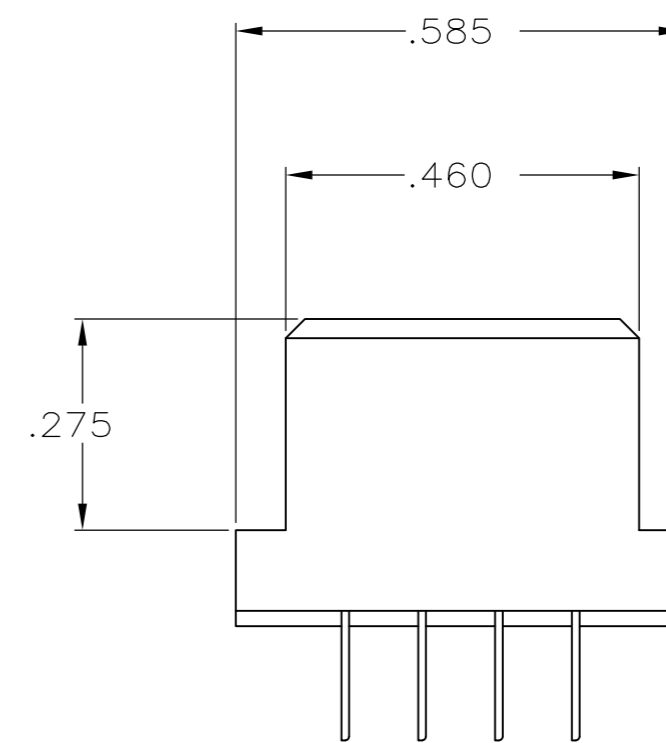
THIS DRAWING IS UNPUBLISHED. RELEASED FOR PUBLICATION - N/A .
 © COPYRIGHT N/A By - ALL RIGHTS RESERVED.

LOC		DIST		REVISIONS			
P	LTR	DESCRIPTION		DATE	DWN	APVD	
	G	REACTIVATE		2-12-14	CT	CT	



RECOMMENDED PC BOARD LAYOUT

- ① HOUSING MATERIAL: POLYPHENYLENE SULFIDE. COLOR: NATURAL (BROWN).
- ② CONTACT MATERIAL: BERYLLIUM COPPER OR COPPER-NICKEL-SILICON PER UNS C70260.
- ③ CONTACT FINISH: .000050-.000100 NICKEL UNDERPLATE ALL OVER, .000030 GOLD IN CONTACT AREA. TIN-LEAD PLATED SOLDER TAILS.
- ④ 'AMP', PART NO. & DATE CODE MARKED IN THIS APPROXIMATE AREA.
- ⑤ CONTACT FINISH: .000050-.000100 NICKEL UNDERPLATE ALL OVER, .000030 GOLD IN CONTACT AREA. TIN PLATED SOLDER TAILS.



REMARKS	'A'	NO.OF POSN	PART NO.
⑤	.124	60	5-533472-2
③	.124	60	533472-2
③	.149	60	533472-1

THIS DRAWING IS A CONTROLLED DOCUMENT.		DWN W. LEUFERT 16-DEC-85		
DIMENSIONS: INCHES		CHK L. CASTAGNA 16-DEC-85		
TOLERANCES UNLESS OTHERWISE SPECIFIED:		APVD L. CASTAGNA 16-DEC-85	NAME	
0 PLC ± - 1 PLC ± - 2 PLC ± - 3 PLC ± .005 4 PLC ± - ANGLES ± 0°30'		PRODUCT SPEC	ASSEMBLY, BOX II, 4 ROW 60 POSN, W/SOLDER TAILS W/O MTG EARS NOR POLARIZERS	
MATERIAL		APPLICATION SPEC	SIZE	CAGE CODE
FINISH		WEIGHT	A2	00779
① - ②		CUSTOMER DRAWING	DRAWING NO	RESTRICTED TO
③		SCALE	C=533472	-
		SHEET	4:1	1 of 1
		REV	G	

单击下面可查看定价，库存，交付和生命周期等信息

[>>TE Connectivity\(泰科\)](#)