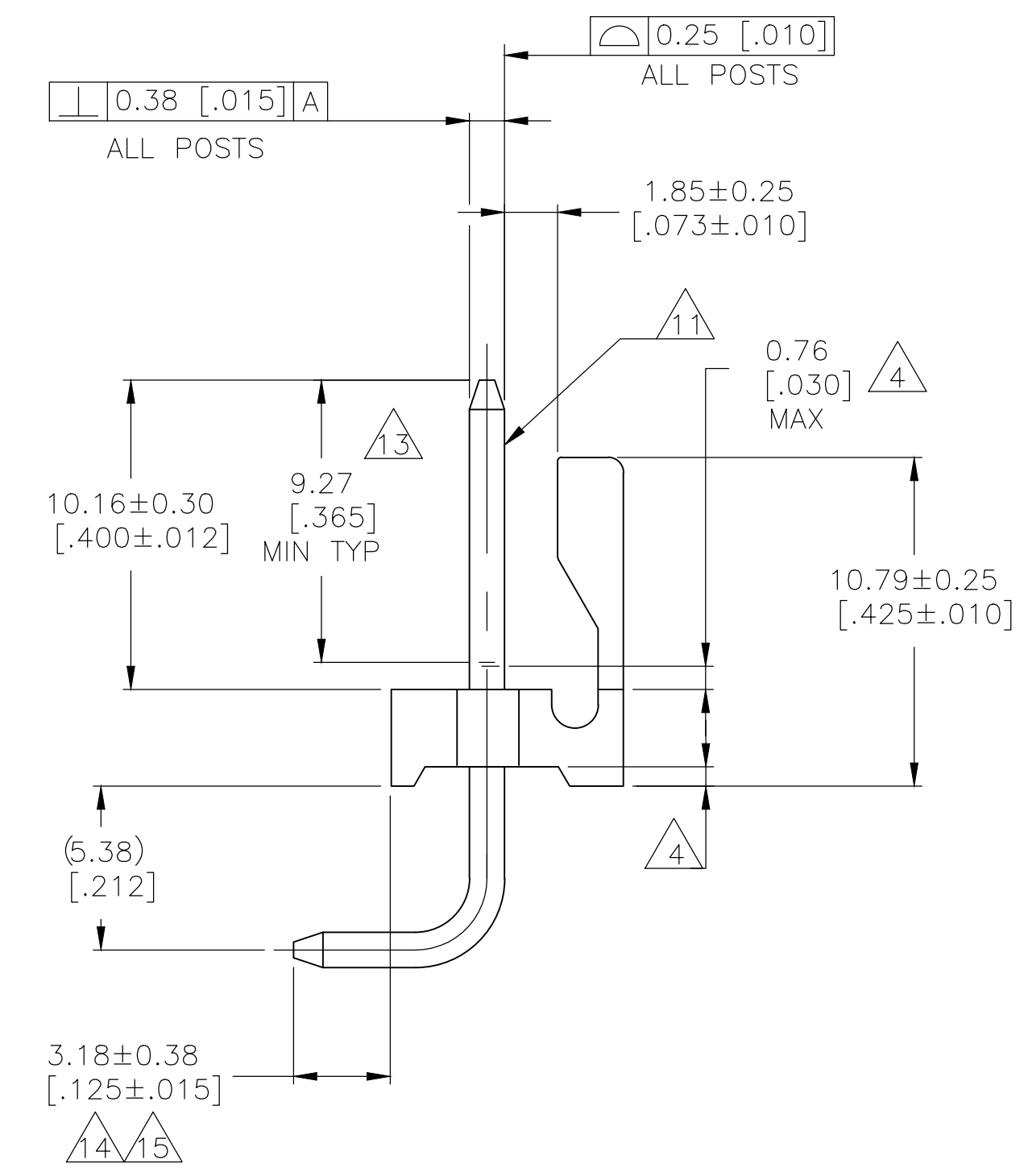
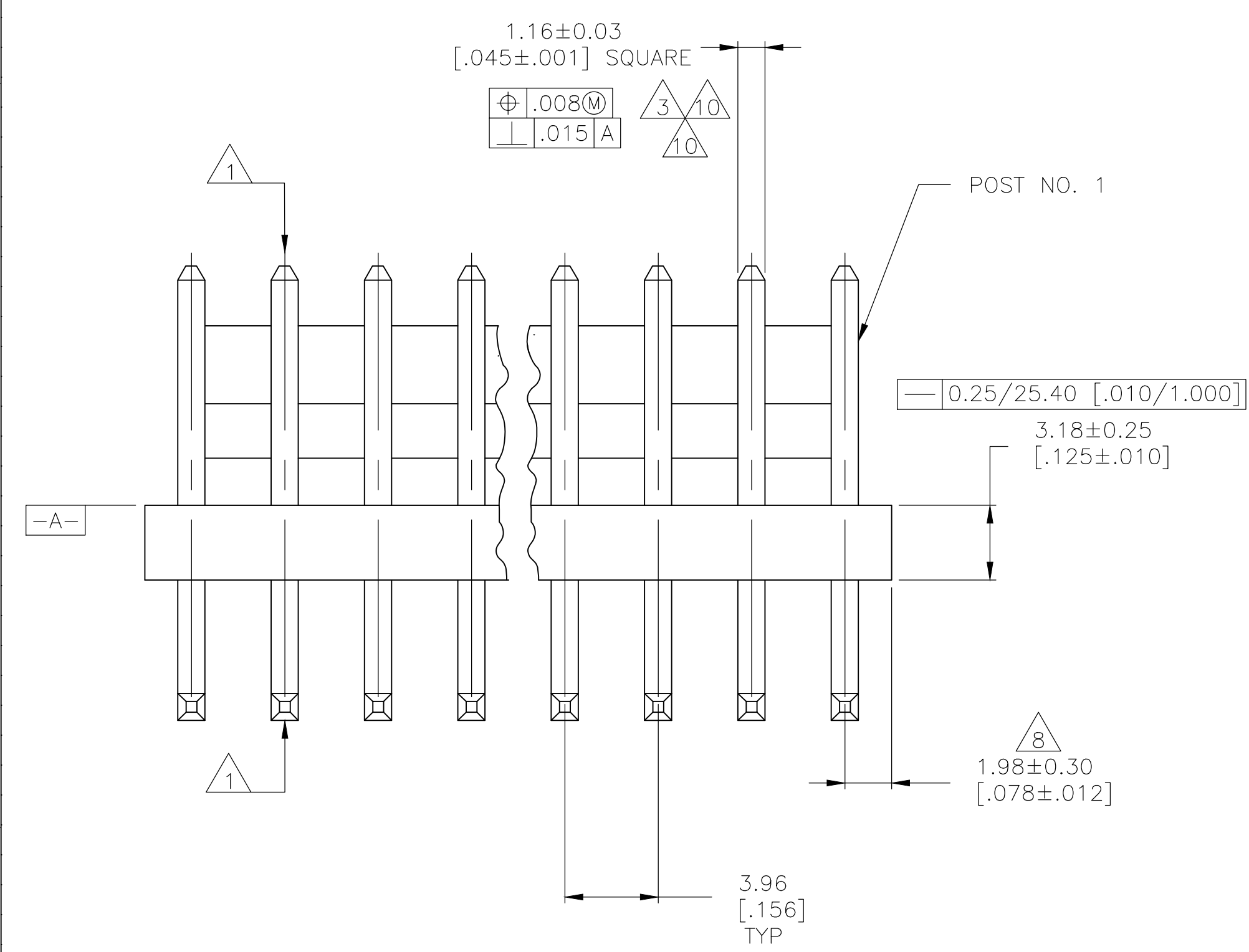
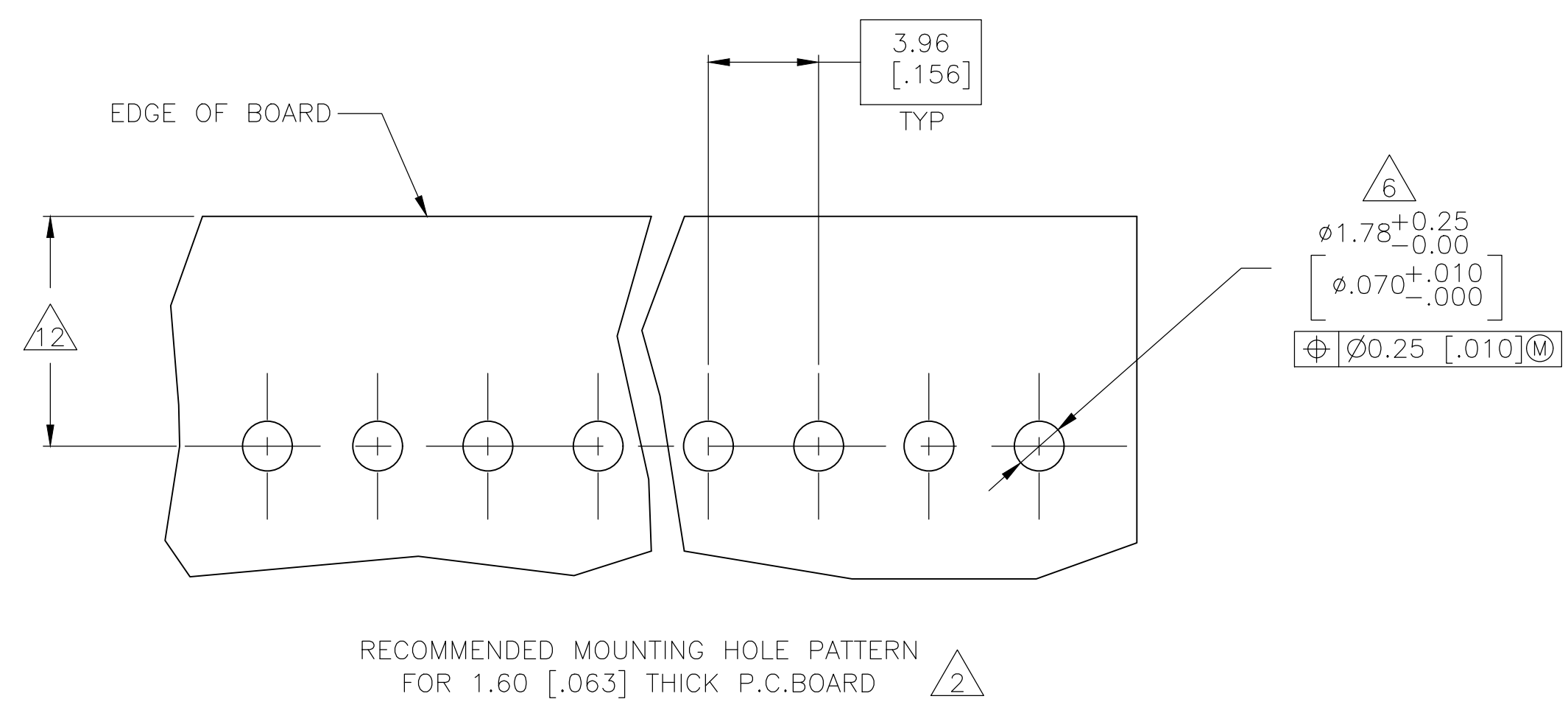
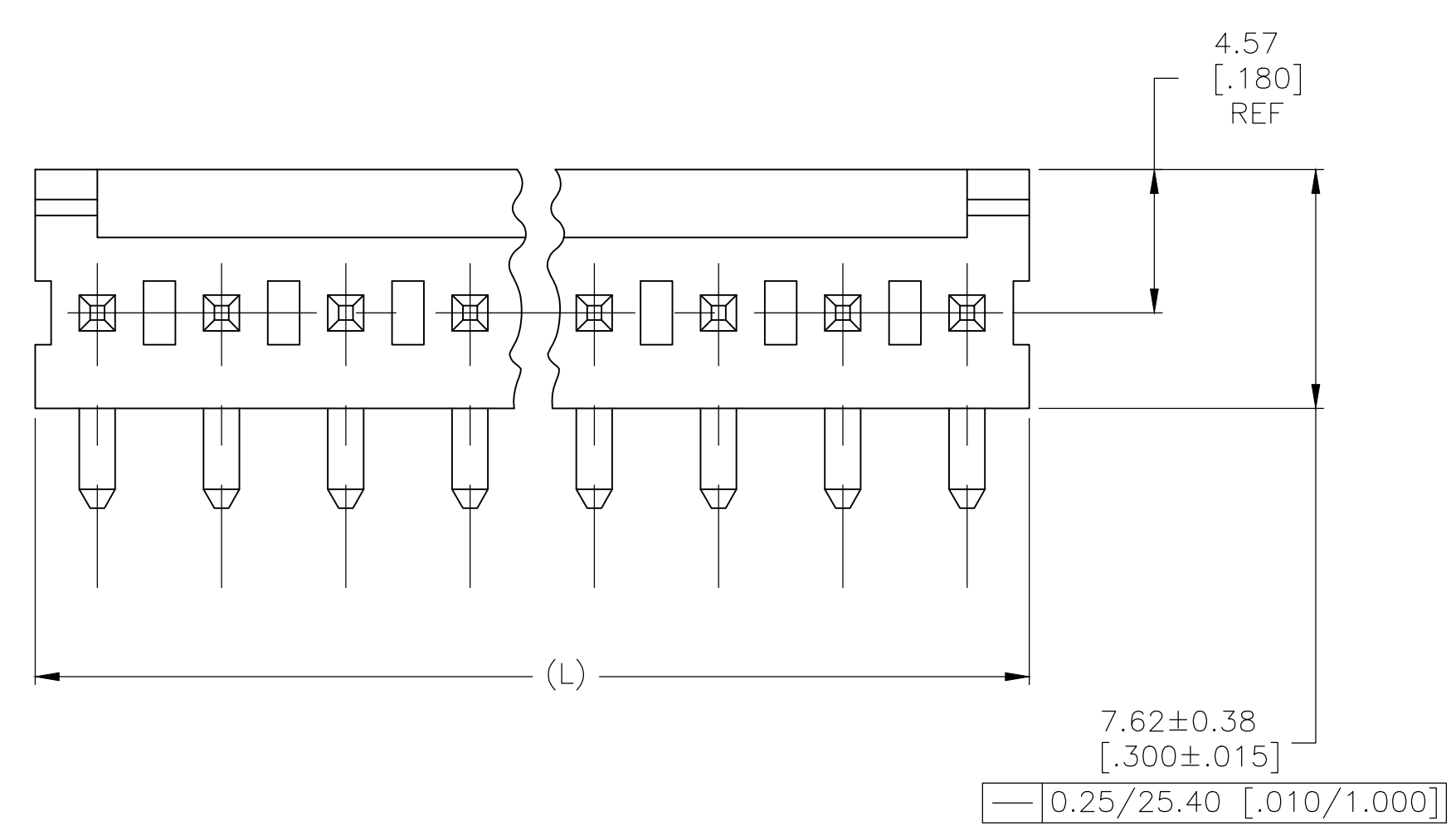


| REVISIONS |           |                           |    |       |
|-----------|-----------|---------------------------|----|-------|
| REV       | DATE      | DESCRIPTION               | BY | APP'D |
| AE1       | 07AUG2019 | REVISED PER ECO-19-012191 | RS | SW    |

- 1 POST TO WITHSTAND 13 NEWTONS (3LBS.) MINIMUM AXIAL FORCE IN BOTH DIRECTIONS SHOWN WITHOUT DISLODGING.
- 2 TOLERANCES APPLY TO SOLDER SIDE OF BOARD.
- 3 MEASURED AT SURFACE  $\overline{-A-}$
- 4 PLASTIC FLASH PERMITTED IN THIS AREA.
- 5 PARTS COMPLY WITH AMP SOLDERABILITY SPEC. NO. 109-11-2.
- 6 ONE HOLE MAY BE UNDERSIZED 1.65-1.52 [.065-.060] DIA. FOR ASSEMBLY RETENTION DURING WAVE SOLDERING.
- 7 MATERIAL: HEADER-THERMOPLASTIC POLYESTER  
GLASS-FILLED 94V-0 (NATURAL)  
POST-COPPER ALLOY (SEE NOTES 13 & 14 FOR PLATING)
- 8 COORDINATE DIMENSION APPLIES FROM CENTER OF ACTUAL FEATURE.
- 9 PLASTIC BURRS CAUSED BY CUT-OFF TOOLING ARE PERMITTED WITHIN THE MAXIMUM TOLERANCE ENVELOPE.
- 10 POST TO BE MEASURED WHEN STRIP IS HELD FLAT.
- 11 POST MUST WITHSTAND TWO 90° BENDS AGAINST EXTRUSION WITHOUT BREAKING.
- 12 DIMENSION SHOULD BE 8.25-10.16 [.325-.400] WHEN MATING WITH A MTA 156 CONNECTOR ASSEMBLY OR 8.25-10.16 [.325-.345] WHEN MATING WITH A SL-156 CONNECTOR ASSEMBLY.
- 13 PLATING: GOLD PLATE AREA, 0.00076 [.000030] GOLD OR 0.00008 [.000003] MIN GOLD FLASH OVER 0.00068 [.000027] PALLADIUM NICKEL, PER TE CONNECTIVITY'S DISCRETION, ALL SIDES, OVER NICKEL UNDERPLATE, 0.00127 [.000050] MIN, ALL SIDES AND ENTIRE LENGTH OF POST.
- 14 BRIGHT TIN/LEAD (93/7) PLATE AREA, 0.00381-0.0089 [.000150-.000350] THICK, ALL FOUR SIDES, 3.18 [.125] MINIMUM.
- 15 MATTE TIN PLATE AREA, [0.00381-0.0089] [.000150-.000350] THICK, ALL FOUR SIDES, 3.18 [.125] MINIMUM.
- 16 OBSOLETE PARTS: OBSOLETE CIS STREAMLINING PER D.RENAUD/D.SINISI



| FINISH | MM    | [IN]  | NO. OF POSN | PART NUMBER |
|--------|-------|-------|-------------|-------------|
| 13/15  | 95.10 | 3.744 | 24          | 5-641210-4  |
| 13/15  | 91.14 | 3.588 | 23          | 5-641210-3  |
| 13/15  | 87.17 | 3.432 | 22          | 5-641210-2  |
| 13/15  | 83.21 | 3.276 | 21          | 5-641210-1  |
| 13/15  | 79.25 | 3.120 | 20          | 5-641210-0  |
| 13/15  | 75.29 | 2.964 | 19          | 4-641210-9  |
| 13/15  | 71.32 | 2.808 | 18          | 4-641210-8  |
| 13/15  | 67.36 | 2.652 | 17          | 4-641210-7  |
| 13/15  | 63.40 | 2.496 | 16          | 4-641210-6  |
| 13/15  | 59.44 | 2.340 | 15          | 4-641210-5  |
| 13/15  | 55.47 | 2.184 | 14          | 4-641210-4  |
| 13/15  | 51.51 | 2.028 | 13          | 4-641210-3  |
| 13/15  | 47.55 | 1.872 | 12          | 4-641210-2  |
| 13/15  | 43.59 | 1.716 | 11          | 4-641210-1  |
| 13/15  | 39.62 | 1.560 | 10          | 4-641210-0  |
| 13/15  | 35.66 | 1.404 | 9           | 3-641210-9  |
| 13/15  | 31.70 | 1.248 | 8           | 3-641210-8  |
| 13/15  | 27.74 | 1.092 | 7           | 3-641210-7  |
| 13/15  | 23.77 | .936  | 6           | 3-641210-6  |
| 13/15  | 19.81 | .780  | 5           | 3-641210-5  |
| 13/15  | 15.85 | .624  | 4           | 3-641210-4  |
| 13/15  | 11.89 | .468  | 3           | 3-641210-3  |
| 13/15  | 7.92  | .312  | 2           | 3-641210-2  |

| FINISH | MM    | [IN]  | NO. OF POSN | PART NUMBER |
|--------|-------|-------|-------------|-------------|
| 13/14  | 95.10 | 3.744 | 24          | 2-641210-4  |
| 13/14  | 91.14 | 3.588 | 23          | 2-641210-3  |
| 13/14  | 87.17 | 3.432 | 22          | 2-641210-2  |
| 13/14  | 83.21 | 3.276 | 21          | 2-641210-1  |
| 13/14  | 79.25 | 3.120 | 20          | 2-641210-0  |
| 13/14  | 75.29 | 2.964 | 19          | 1-641210-9  |
| 13/14  | 71.32 | 2.808 | 18          | 1-641210-8  |
| 13/14  | 67.36 | 2.652 | 17          | 1-641210-7  |
| 13/14  | 63.40 | 2.496 | 16          | 1-641210-6  |
| 13/14  | 59.44 | 2.340 | 15          | 1-641210-5  |
| 13/14  | 55.47 | 2.184 | 14          | 1-641210-4  |
| 13/14  | 51.51 | 2.028 | 13          | 1-641210-3  |
| 13/14  | 47.55 | 1.872 | 12          | 1-641210-2  |
| 13/14  | 43.59 | 1.716 | 11          | 1-641210-1  |
| 13/14  | 39.62 | 1.560 | 10          | 1-641210-0  |
| 13/14  | 35.66 | 1.404 | 9           | 641210-9    |
| 13/14  | 31.70 | 1.248 | 8           | 641210-8    |
| 13/14  | 27.74 | 1.092 | 7           | 641210-7    |
| 13/14  | 23.77 | .936  | 6           | 641210-6    |
| 13/14  | 19.81 | .780  | 5           | 641210-5    |
| 13/14  | 15.85 | .624  | 4           | 641210-4    |
| 13/14  | 11.89 | .468  | 3           | 641210-3    |
| 13/14  | 7.92  | .312  | 2           | 641210-2    |

METRIC

THIS DRAWING IS A CONTROLLED DOCUMENT.

APPROVED: S. HOOVER 07NOV02  
 DESIGNED: D. ROSSI 07NOV02  
 DRAWN: D. ROSSI 07NOV02

TE Connectivity  
 MTA--156 HDR ASBLY,  
 FRICTION LOCK, R ANGLE, FRONT  
 BEND .045 SQ POST, .000030 Au

APPLIC. SPEC: PRODUCT SPEC  
 APPLICATION SPEC

SIZE: A1  
 WEIGHT: 0.000000  
 CUSTOMER DRAWING

SCALE: 5:1  
 SHEET: 1 OF 1  
 REV: AE1

单击下面可查看定价，库存，交付和生命周期等信息

[>>TE Connectivity\(泰科\)](#)