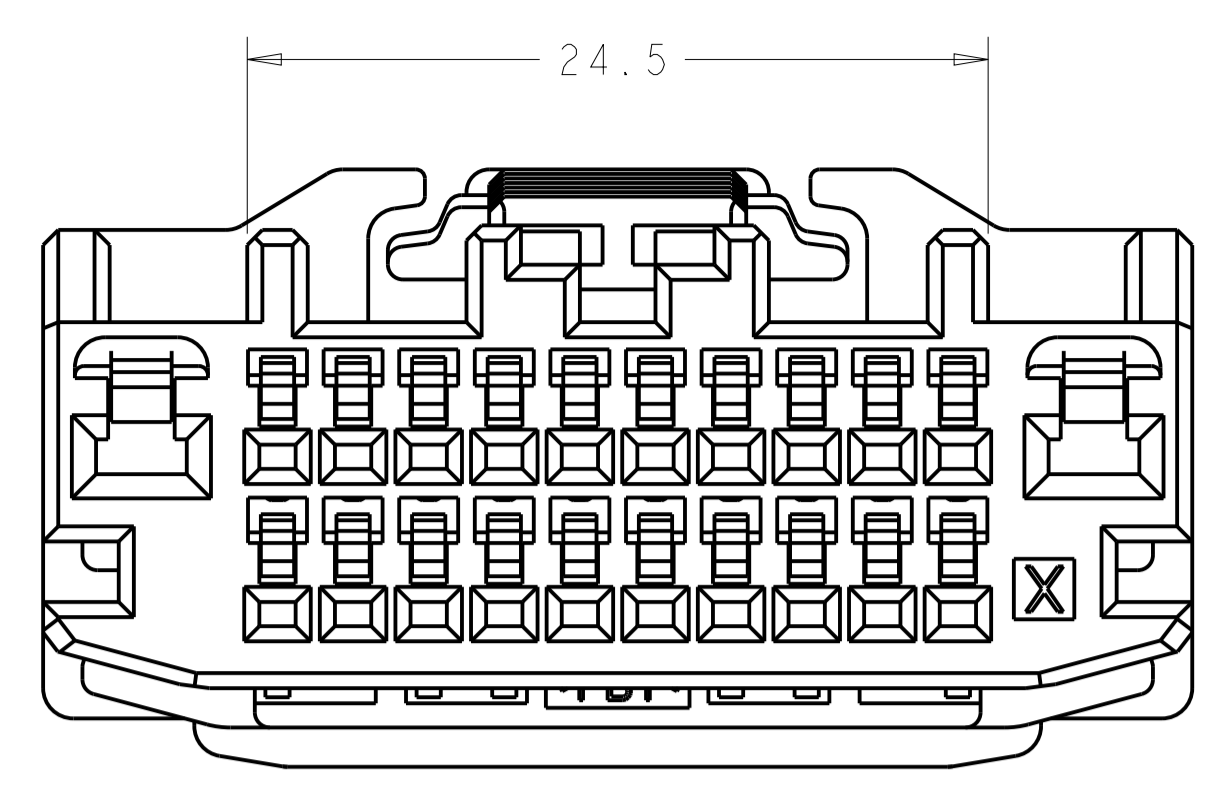
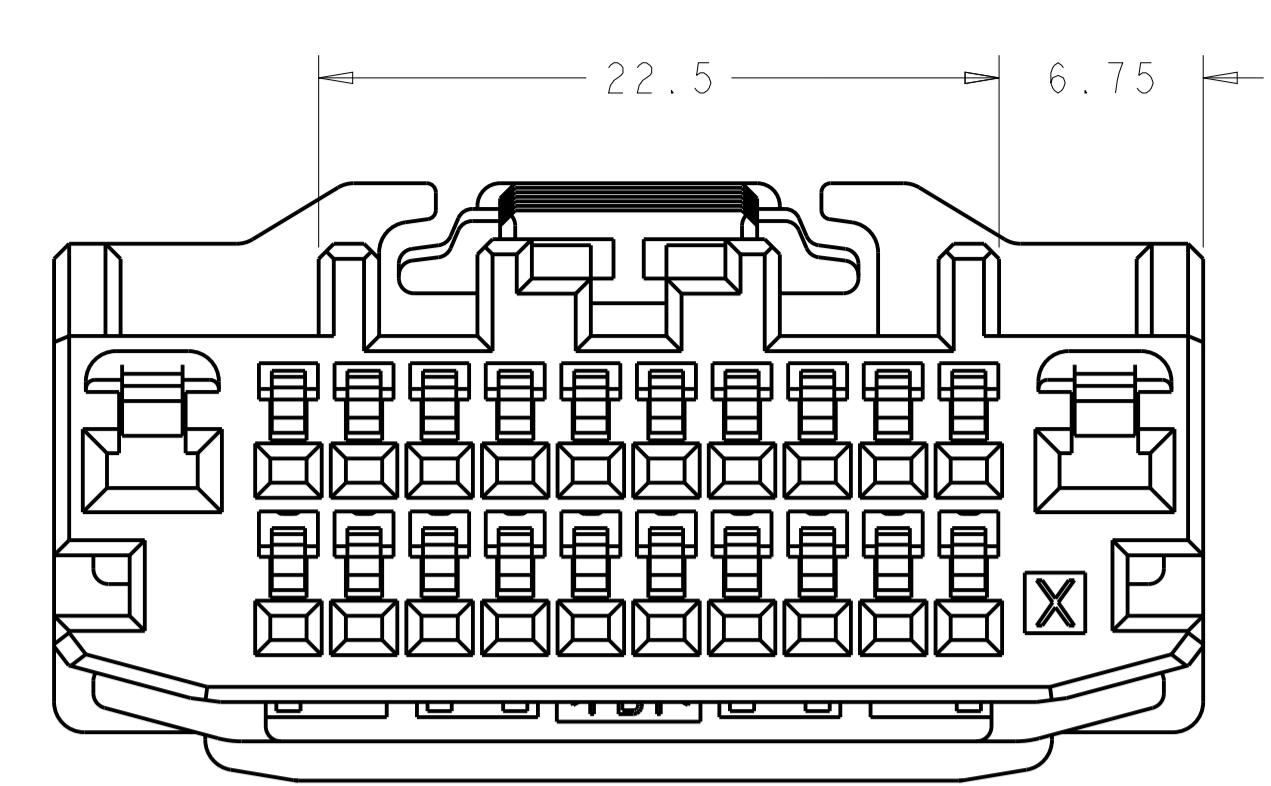


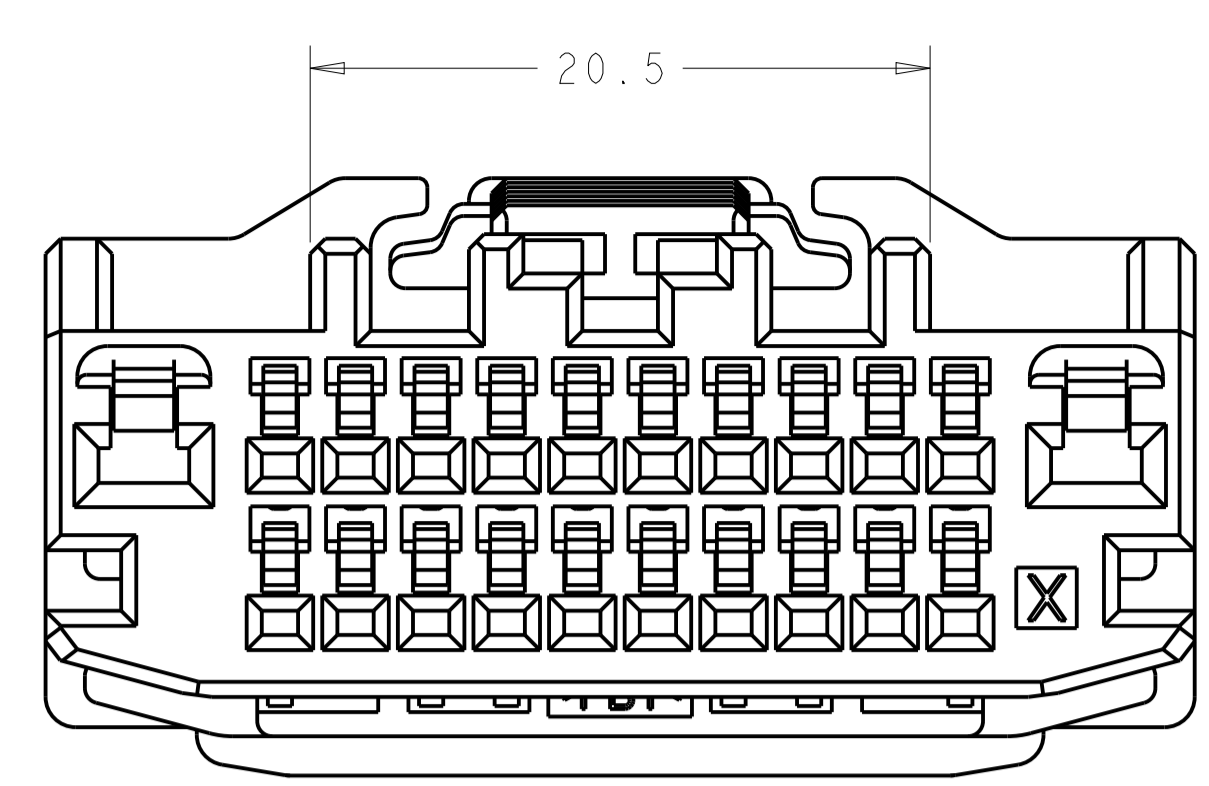
REVISIONS				
P.	LTM	DESCRIPTION	DATE	APVD
E		REVISED PER ECO-14-00xxxx	24JAN2014	DD SA



1438759-1  
KEY "B"  
WHITE

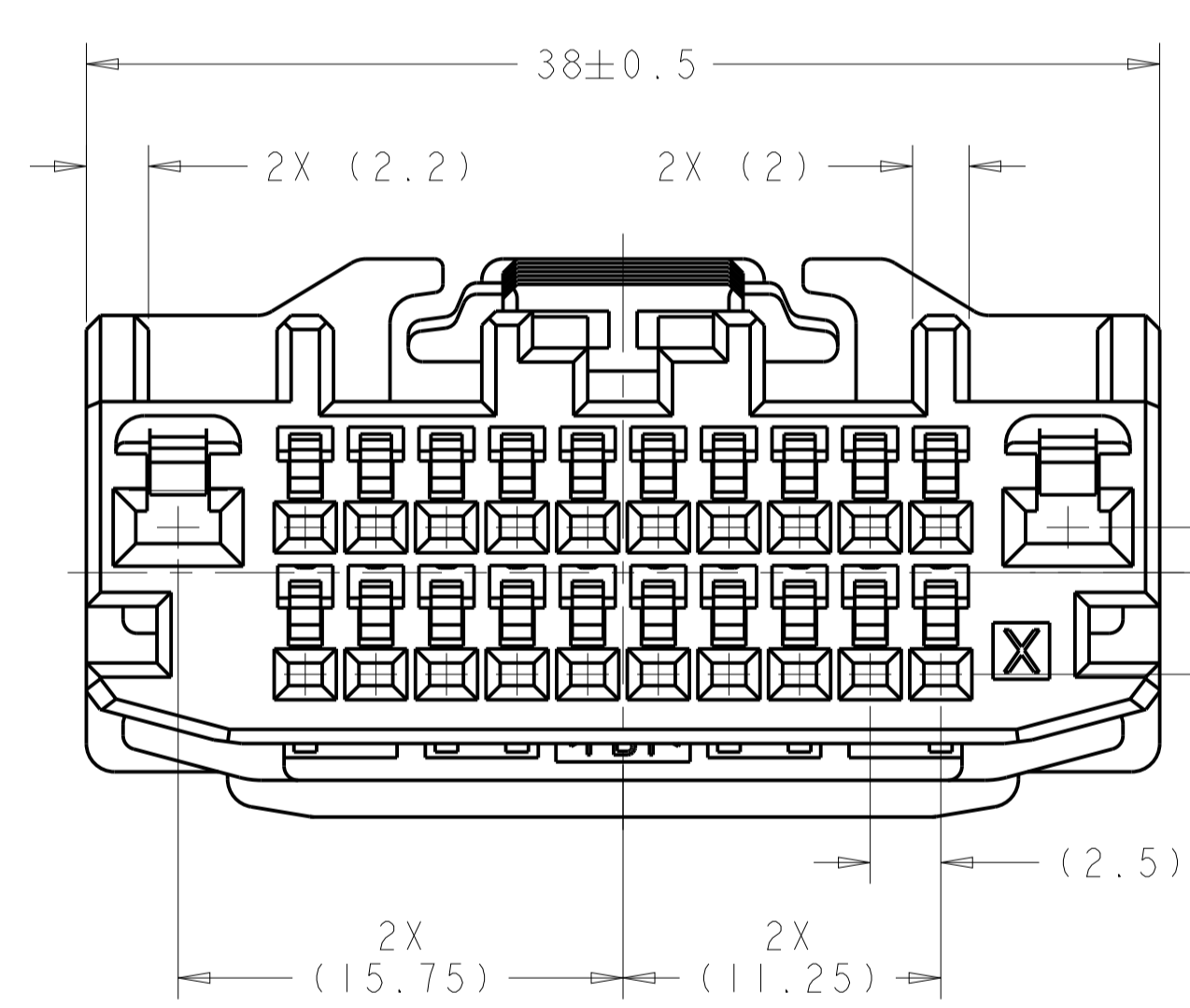


1438759-2  
KEY "C"  
BLACK

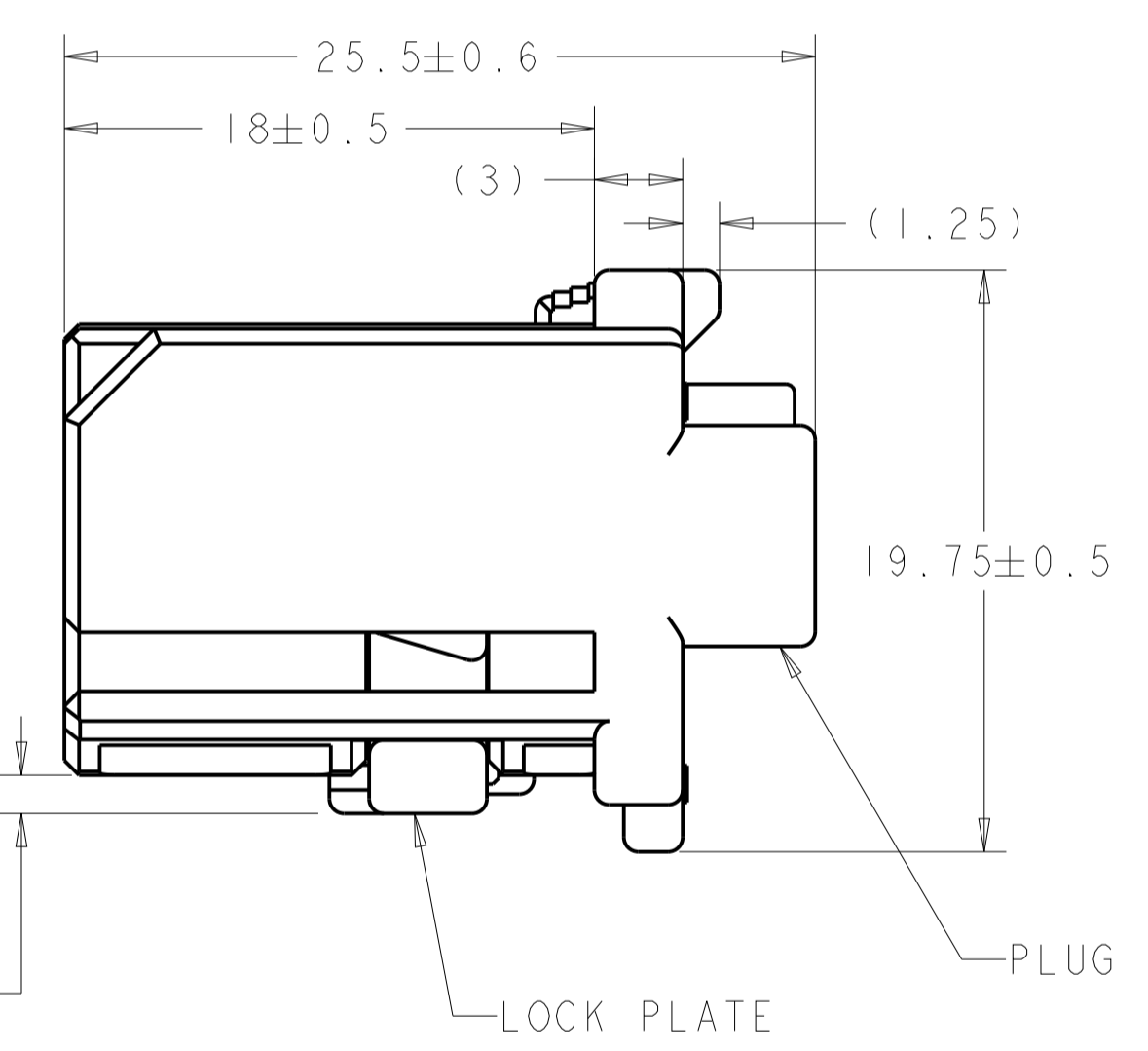


1438761-6  
KEY "A"  
GRAY

- APPLIED CONTACT PART NUMBERS:  
175265 TIN PLATING, 040 CONTACT  
175266 SELECT GOLD PLATING, 040 CONTACT  
1326030 TIN PLATING, 2.8 CONTACT
- LOCK PLATE SHOWN IN THE SHIPPING POSITION.
- VISUAL BLEMISHES MAY BE PRESENT ON EXTERNAL SURFACES DUE TO BULK PACKAGING METHODS. THESE BLEMISHES THAT DO NOT AFFECT CONNECTOR FORM, FIT, OR FUNCTION ARE CONSIDERED ACCEPTABLE.
- LOCK PLATE COMPONENT FORCES:  
INSERTION FORCE (SEATING): 75N MAX.  
REMOVAL FROM PLUG HOUSING: 15N MIN.

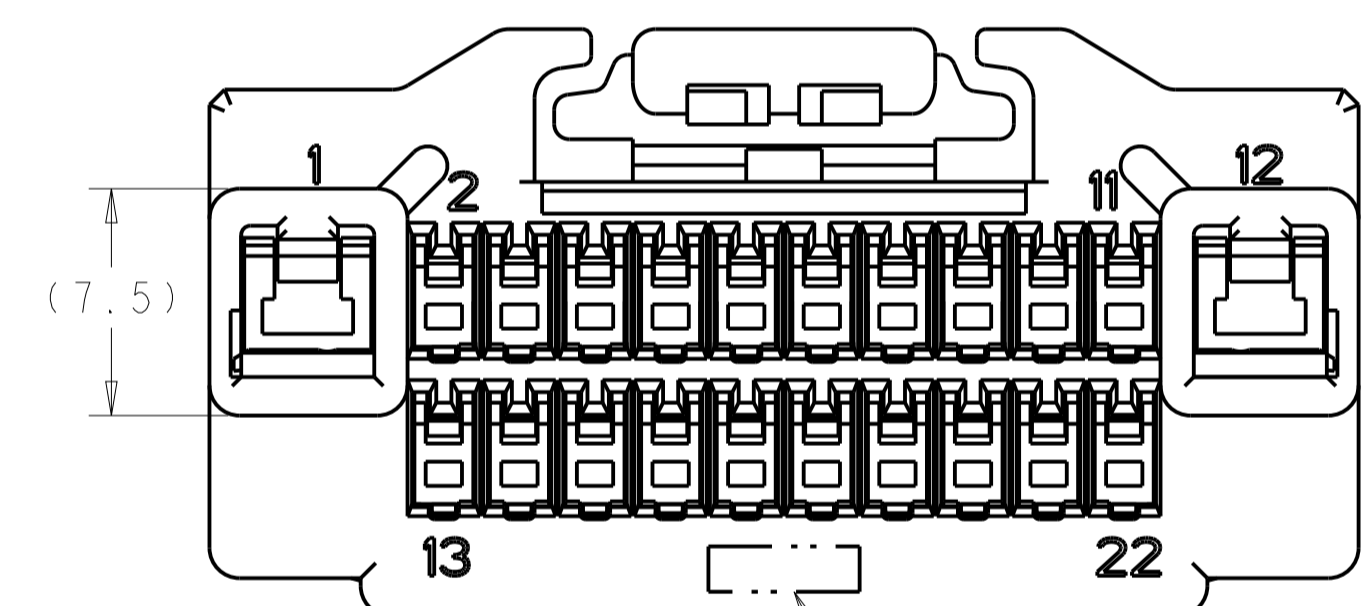


1.3±0.4  
LOCK PLATE TRAVEL

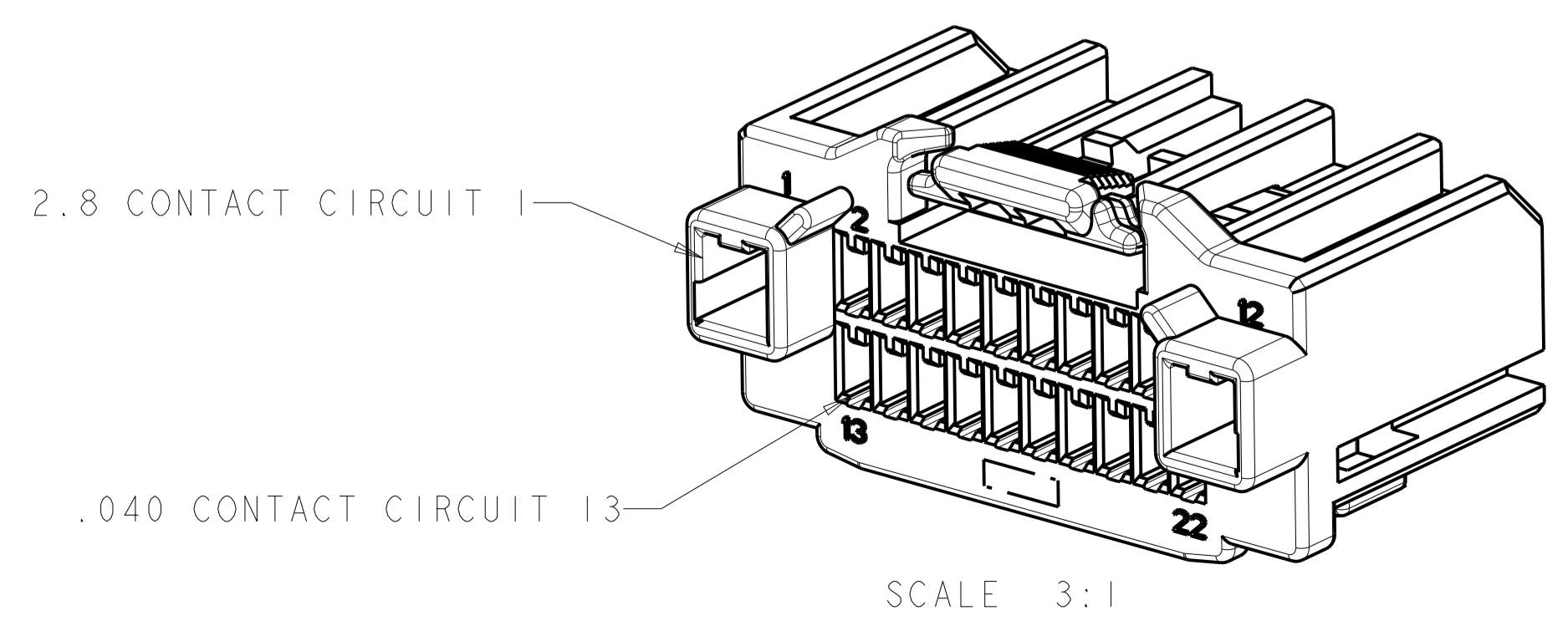


LOCK PLATE

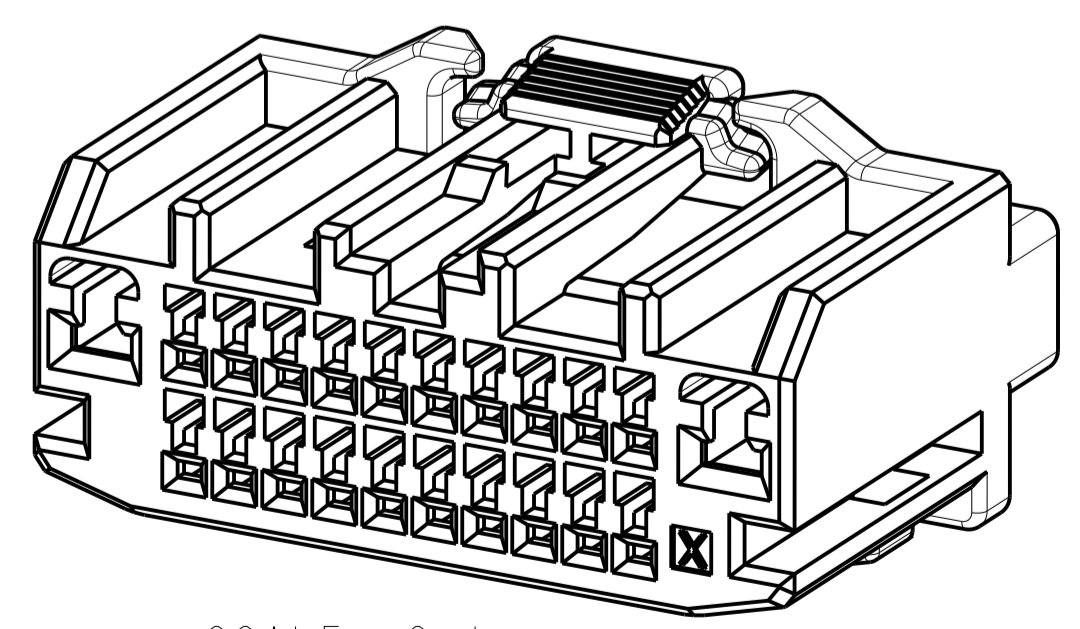
PLUG HOUSING



COMPANY LOGO



SCALE 3:1



SCALE 3:1

-KEY "B" SHOWN-

GRAY	A	1438761-6
BLACK	C	1438759-2
WHITE	B	1438759-1
COLOR	KEY	PART NUMBER

THIS DRAWING IS A CONTROLLED DOCUMENT.		OWN: M. HITCHCOCK 16SEP2004	
DIMENSIONS: mm		CHK: G. MARTIN 16SEP2004	
TOLERANCES UNLESS OTHERWISE SPECIFIED:		APVD: T. MEHAFFEY 16SEP2004	
0 PLC ±.1 1 PLC ±0.3 2 PLC ±0.1 3 PLC ±.1 4 PLC ±.1 ANGLES ±.1°		PRODUCT SPEC: 108-2217 APPLICATION SPEC: 114-13158 WEIGHT: - Customer Drawing	
MATERIAL: PBT		SIZE: A100779	NAME: PLUG ASSEMBLY, 22-WAY HYBRID 040/2.8 CAGE CODE: - DRAWING NO: 1438759 SCALE: 4:1 SHEET 1 OF 1 REV E

单击下面可查看定价，库存，交付和生命周期等信息

[>>TE Connectivity\(泰科\)](#)