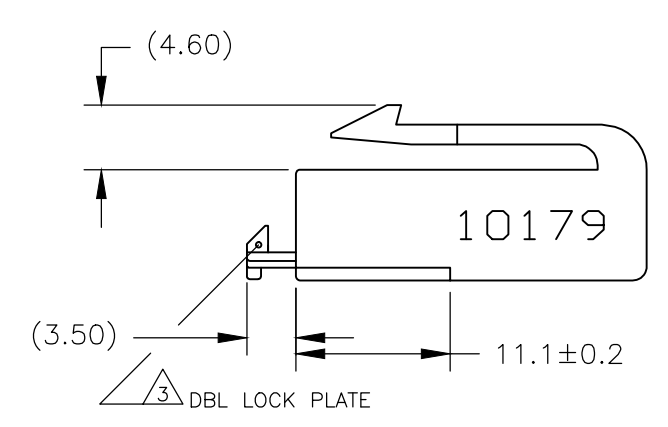
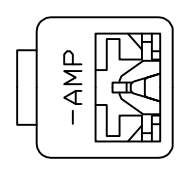
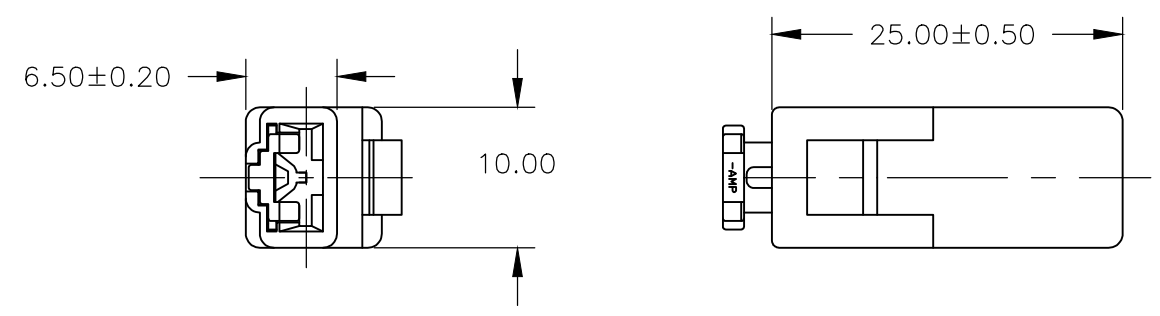


THIS DRAWING IS UNPUBLISHED. RELEASED FOR PUBLICATION
 © COPYRIGHT - By - ALL RIGHTS RESERVED.

REVISIONS				
P	LTR	DESCRIPTION	DATE	APVD
	A	REVISED PER ECR-15-016346	11MAY2016	NK LP

- 1 THE MATING COUNTER PART P/N (172127 etc.)
- 2 APPLIED CONTACT (170032,170258,170384)
- 3 DBL LOCK PLATE
MATERIAL: PBT
COLOR ; YELLOW



	6-176986-6	(LIGHT GRAY)
	176986-6	(GRAY)
	176986-5	(BLUE)
OBSOLETE	176986-4	(GREEN)
OBSOLETE	176986-3	(BROWN)
	176986-2	(BLACK)
	176986-1	(NATURAL)
COLOR SEE TABLE	(P/N)	(COLOR)

THIS DRAWING IS A CONTROLLED DOCUMENT.		DWN <i>T. Sogawa</i>	17SEP1990	STE TE Connectivity	
DIMENSIONS: mm		CHK <i>M. Sakuma</i>	17SEP1990		
TOLERANCES UNLESS OTHERWISE SPECIFIED:		APVD <i>H. Matsushita</i>	17SEP1990	NAME .250 SERIES DOUBLE LOCK CONNECTOR 1 POS. PLUG HOUSING	
0 PLC ± -		PRODUCT SPEC		SIZE	
1 PLC ± 0.2		APPLICATION SPEC		CAGE CODE	DRAWING NO
2 PLC ± 0.25		WEIGHT		A3	00779
3 PLC ± 0.3		CUSTOMER DRAWING		C=	176986
4 PLC ± -		SCALE		2:1	SHEET
ANGLES ± 3°		RESTRICTED TO		1	OF 1
MATERIAL 6/6 NYLON		FINISH -		REV	A

单击下面可查看定价，库存，交付和生命周期等信息

[>>TE Connectivity\(泰科\)](#)