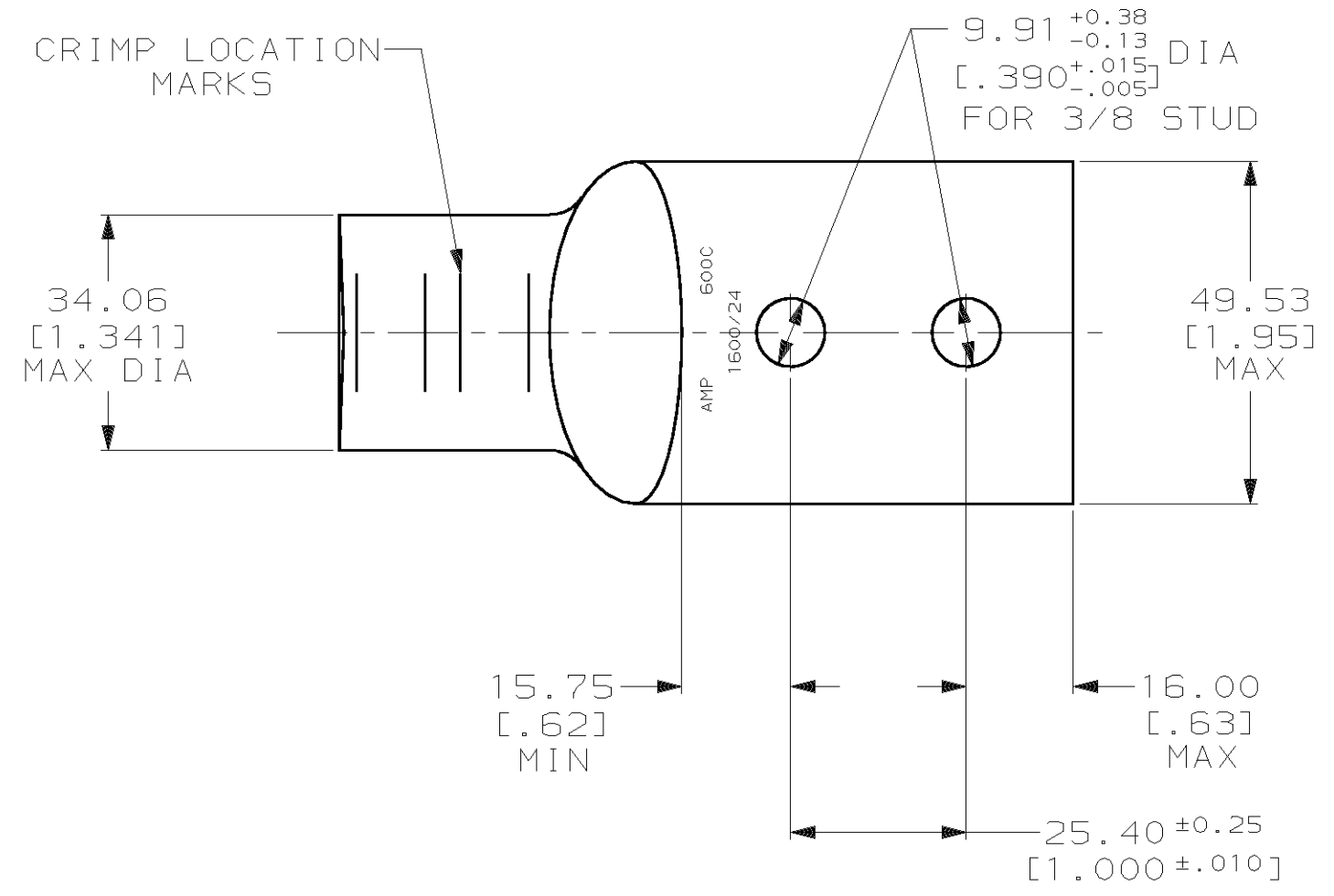
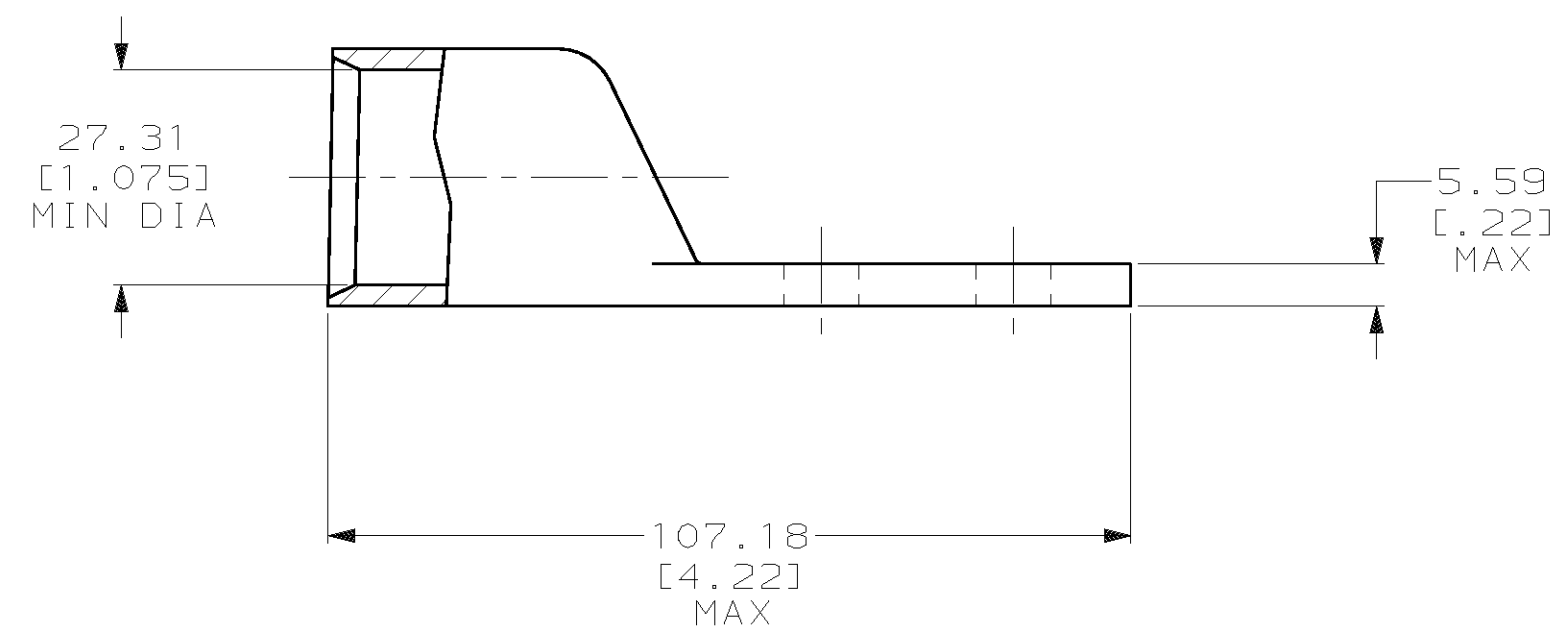


THIS DRAWING IS UNPUBLISHED. RELEASED FOR PUBLICATION ,19 .
 © COPYRIGHT 19 BY AMP INCORPORATED. ALL INTERNATIONAL RIGHTS RESERVED.

LOC		DIST		P		F		ZONE		LTR		REVISIONS		DATE	APPD
G		86											REV PER 0G3A-0561-01	09OCT02	JR



- 1 CIRCULAR MIL RANGE: 550-650 MCM
- 2 TIN PL 0.00381 [.000150] MIN THK PER MIL-T-10727



NONE	326809-1
REQD	326809
SIGHT HOLE	PART NO

DO NOT SCALE PRINT. UNLESS SPECIFIED DIMENSIONS IN mm [INCHES] TOLERANCES ON : 2 PLC DEC ± 0.51 [.020] 3 PLC DEC ± - ANGLES ± -	DR 03/09/90 DK SCHRUM	AMP INCORPORATED Harrisburg, Pa. 17105	
	CHK 25JAN95 MS FEHER		
MATERIAL	APPD 25JAN95 WJ VOCKROTH	TERMINAL, AMPPOWER™ WIRE SIZE: 600 MCM	
ANNEALED COPPER ASTM B-75	APPD 25JAN95 TL SHUTTER	PRODUCT SPEC	
FINISH	APPLICATION SPEC	108-30200	
		SIZE	CAGE CODE
		C	00779
		SCALE	DRAWING NO
		1:1	326809
WEIGHT .498 LB			SHEET 1 OF 1



单击下面可查看定价，库存，交付和生命周期等信息

[>>TE Connectivity\(泰科\)](#)