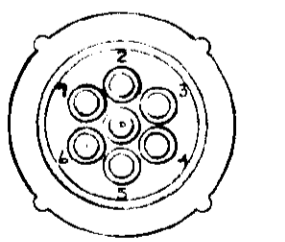
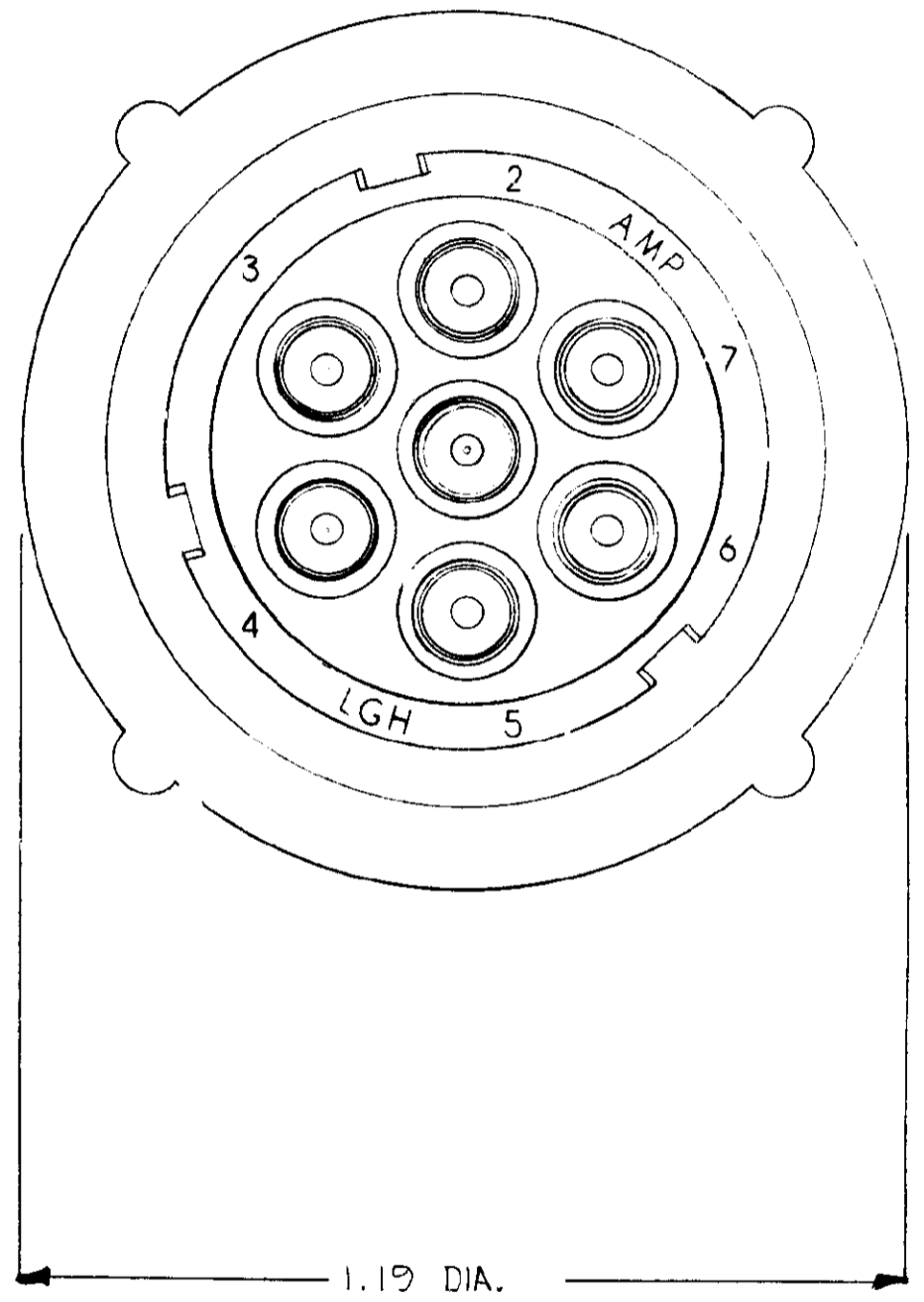
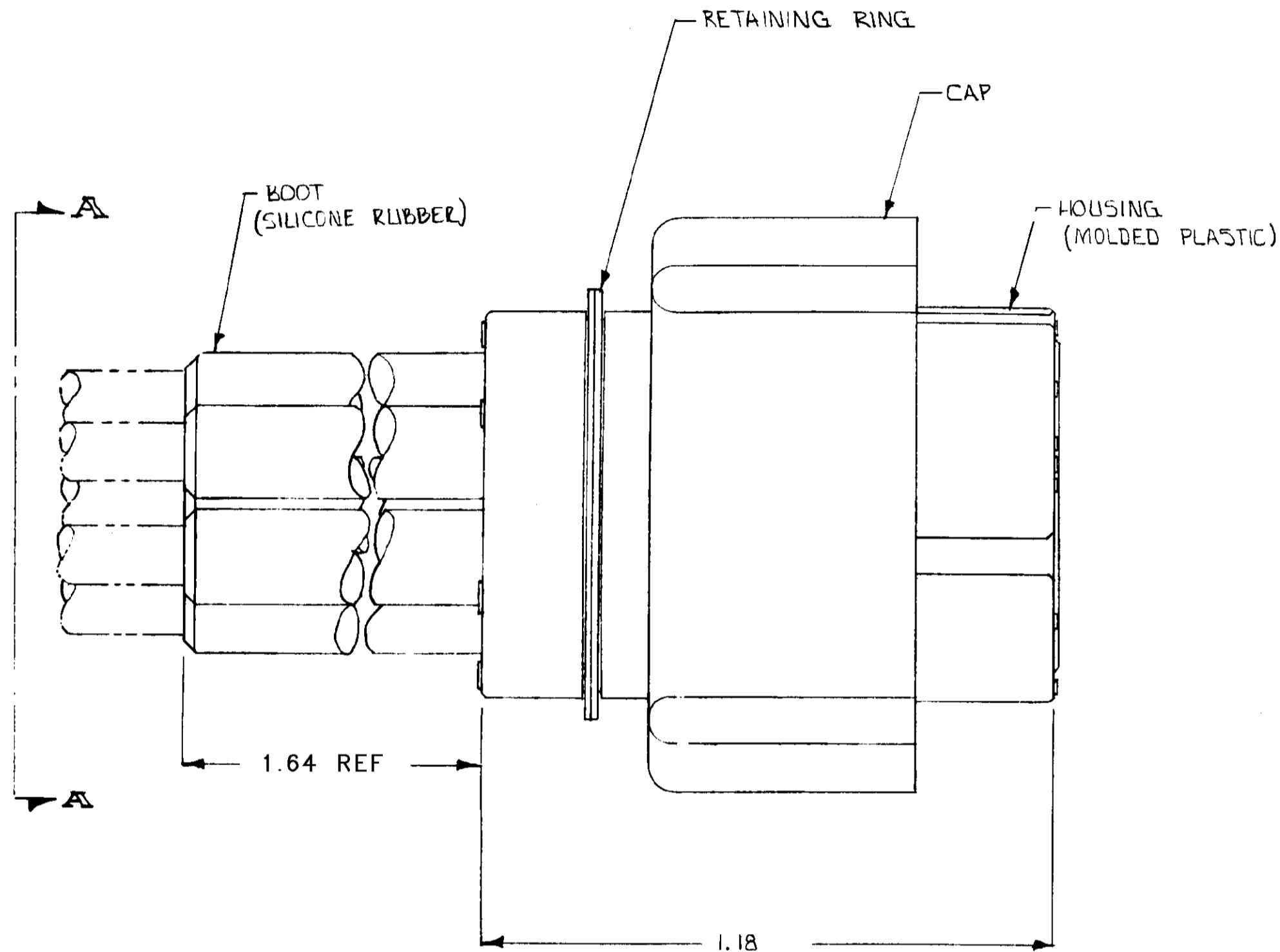


© COPYRIGHT 1974 BY AMP INCORPORATED, HARRISBURG, PA. ALL INTERNATIONAL RIGHTS RESERVED. AMP INCORPORATED PRODUCTS COVERED BY U. S. AND FOREIGN PATENTS AND/OR PATENTS PENDING.

REVISIONS				
ZONE	LTR	DESCRIPTION	DATE	APPROVED
A		ECO-10-008756	PY 5-10	DE


UNPUBLISHED COPY NOT TO BE REPRODUCED NOR PUBLISHED WITHOUT WRITTEN PERMISSION OF AMP INCORPORATED.



VIEW A-A
ACTUAL SIZE

NOTE:
1. CONNECTOR SUPPLIED WITHOUT WIRES AND WITH LOOSE PINS
2. CONNECTOR MUST BE ASSEMBLED ON .122 DIA WIRE ONLY

QTY REQD	APPLICATION	USED ON	NEXT ASSY

UNLESS OTHERWISE SPECIFIED DIMENSIONS ARE IN INCHES. TOLERANCES: .00 ± .01, .000 ± .005 ANGLES ±		CONTRACT NO		PART NO	
MATERIAL		DR <i>G.E. Day</i> 7-12-74		 AMP INCORPORATED Elizabethtown, Pa.	
FINISH		CHK <i>H. ...</i>			
NEXT ASSY		APPD <i>H. ...</i> 7-17-74		NAME 7 PIN MINIATURE CIRCULAR PLUG	
FINAL ASSY		APPD		LGH	
QTY REQD		OTHER APPD		SIZE	CODE IDENT NO
APPLICATION		DSGN APPD		C	89110
				NUMBER	862006
				REV	A
				SCALE 4:1	WT
				SHEET 1 of 1	

862006-1 AS SHOWN

单击下面可查看定价，库存，交付和生命周期等信息

[>>TE Connectivity\(泰科\)](#)