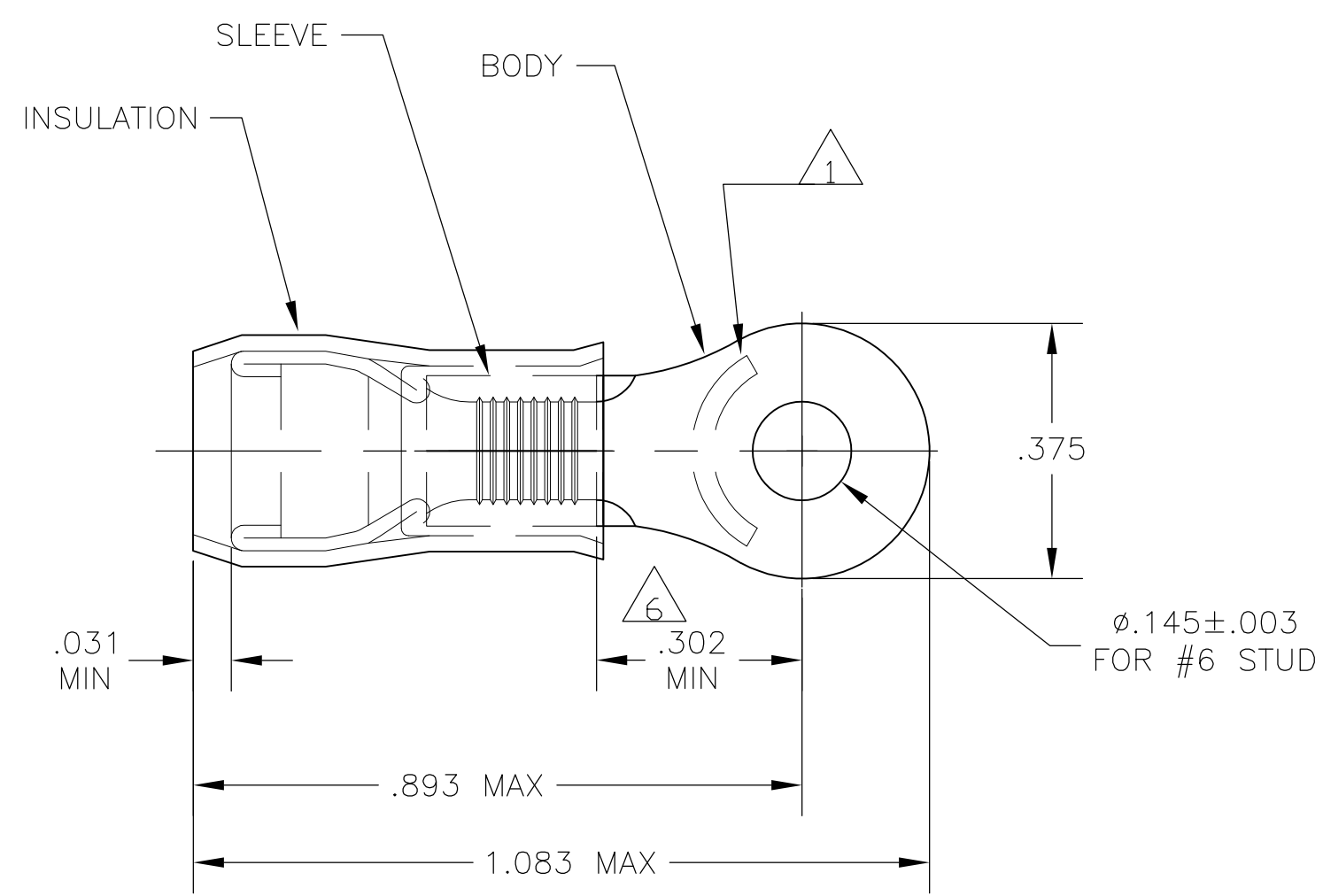


THIS DRAWING IS UNPUBLISHED. RELEASED FOR PUBLICATION
 © COPYRIGHT - By - ALL RIGHTS RESERVED.

| LOC | DIST | REVISIONS | | | |
|-----|------|-------------|---------------------------|---------|--------|
| P | LTR | DESCRIPTION | DATE | DWN | APVD |
| G | 14 | F2 | REVISED PER ECO-11-004820 | 11MAR11 | RK HMR |



- 1 STAMP "AMP 12-10*" APPROX AS SHOWN
- 2 WIRE INSULATION DIA: .150-.250
- 3 TONGUE MATERIAL THK: .040±.002
- 4 BODY & SLEEVE: TIN PLATE .000100 MIN EXT. THK PER ASTM B545
- 5 BODY & SLEEVE- CU PER ASTM B152 INSULATION - NYLON PER ASTM D4066 COLOR - YELLOW
- 6 APPLIES FROM EDGE OF METAL WIRE BARREL TO CENTER OF STUD HOLE.
- 7 MEETS MS25036-111, CLASS 1 & 2
- 8 MEETS MS25036-111, CLASS 2

| | | |
|------|------------------|-------------|
| 50 | LOOSE PIECE, BOX | 8-35107-2 |
| -500 | ON TAPE, LG. BOX | 2-35107-2 |
| 2500 | ON TAPE & REEL | 8 2-35107-1 |
| --- | LOOSE PIECE | 7 35107 |
| QTY | PACKAGE TYPE | PART NO |

| | | | | | | | | | | |
|--|--|---|--|--|---------------------------------|------------------|-------|-----------|------------|---|
| CUSTOMER SERVICE SYSTEMS | | MAX RECOMMENDED OPERATING TEMPERATURE: 105°C MAX | THIS DRAWING IS A CONTROLLED DOCUMENT. | | DWN JR RUTH 16DEC09 | TE Connectivity | | | | |
| FOR ADDITIONAL PRODUCT INFORMATION OR COPIES OF DRAWINGS AND TECHNICAL DOCUMENTS | PRODUCT INFORMATION CENTER 1-800-522-6752 | VOLTAGE RATING: 300 VOLT MAX | DIMENSIONS: INCHES | TOLERANCES UNLESS OTHERWISE SPECIFIED: | CHK T MICHELUTTI 16DEC09 | | | | | NAME TERMINAL, RING TONGUE, PIDG, WIRE SIZE: 12-10 AWG |
| FOR APPLICATION TOOLING INFORMATION | TOOLING ASSISTANCE CENTER 1-800-722-1111 | CIRCULAR MIL AREA: 2.62-6.64mm² [5,180-13,100] STRANDED OR SOLID | | 0 PLC ± - 1 PLC ± - 2 PLC ± - 3 PLC ± .008 4 PLC ± - ANGLES ± - | APVD T MICHELUTTI 16DEC09 | PRODUCT SPEC | SIZE | CAGE CODE | DRAWING NO | RESTRICTED TO |
| FOR ORDER ENTRY | 1-800-526-5142 | | MATERIAL | FINISH | --- | APPLICATION SPEC | A3 | 00779 | C-35107 | --- |
| | | | | | CUSTOMER DRAWING | | SCALE | SHEET | REV | |
| | | | | | | | 4:1 | 1 OF 1 | F2 | |

单击下面可查看定价，库存，交付和生命周期等信息

[>>TE Connectivity\(泰科\)](#)