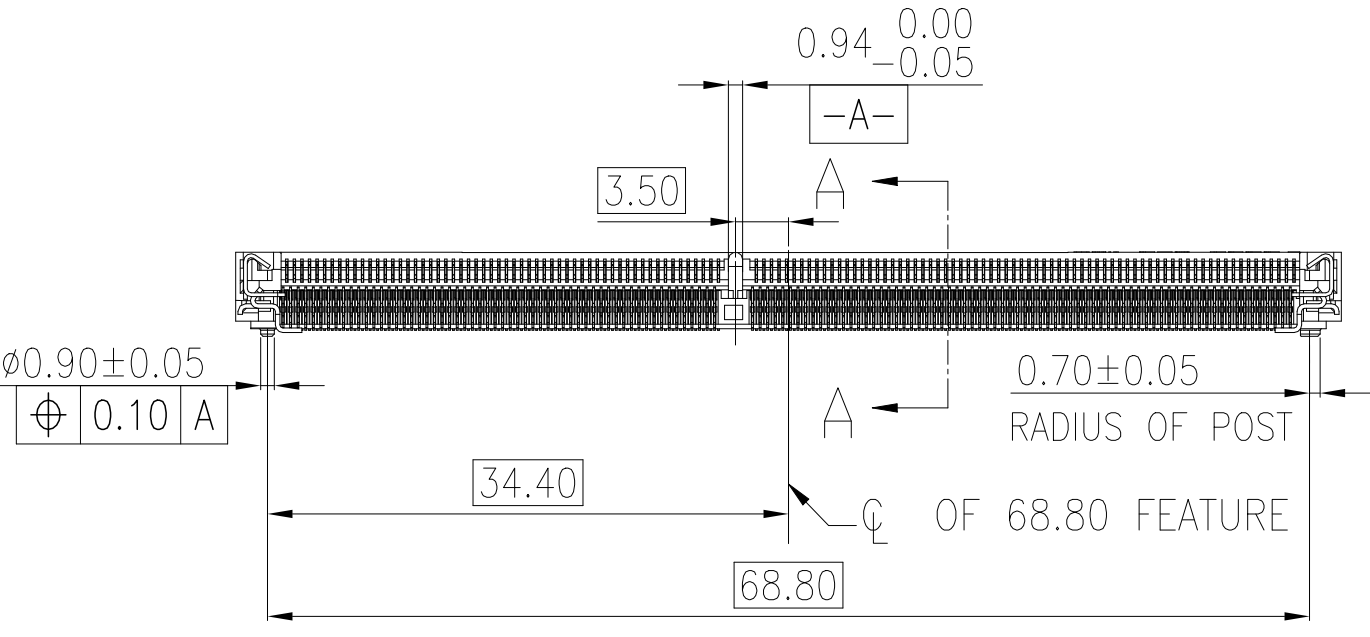
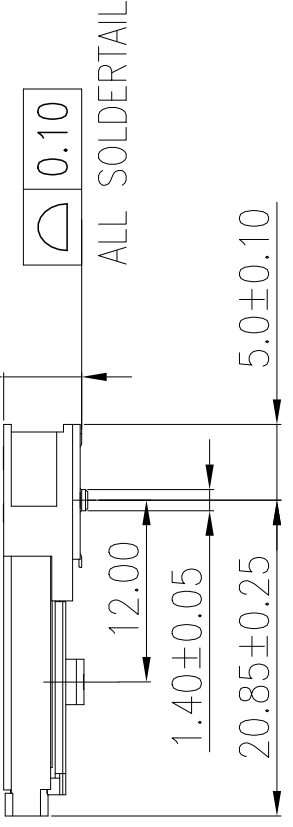
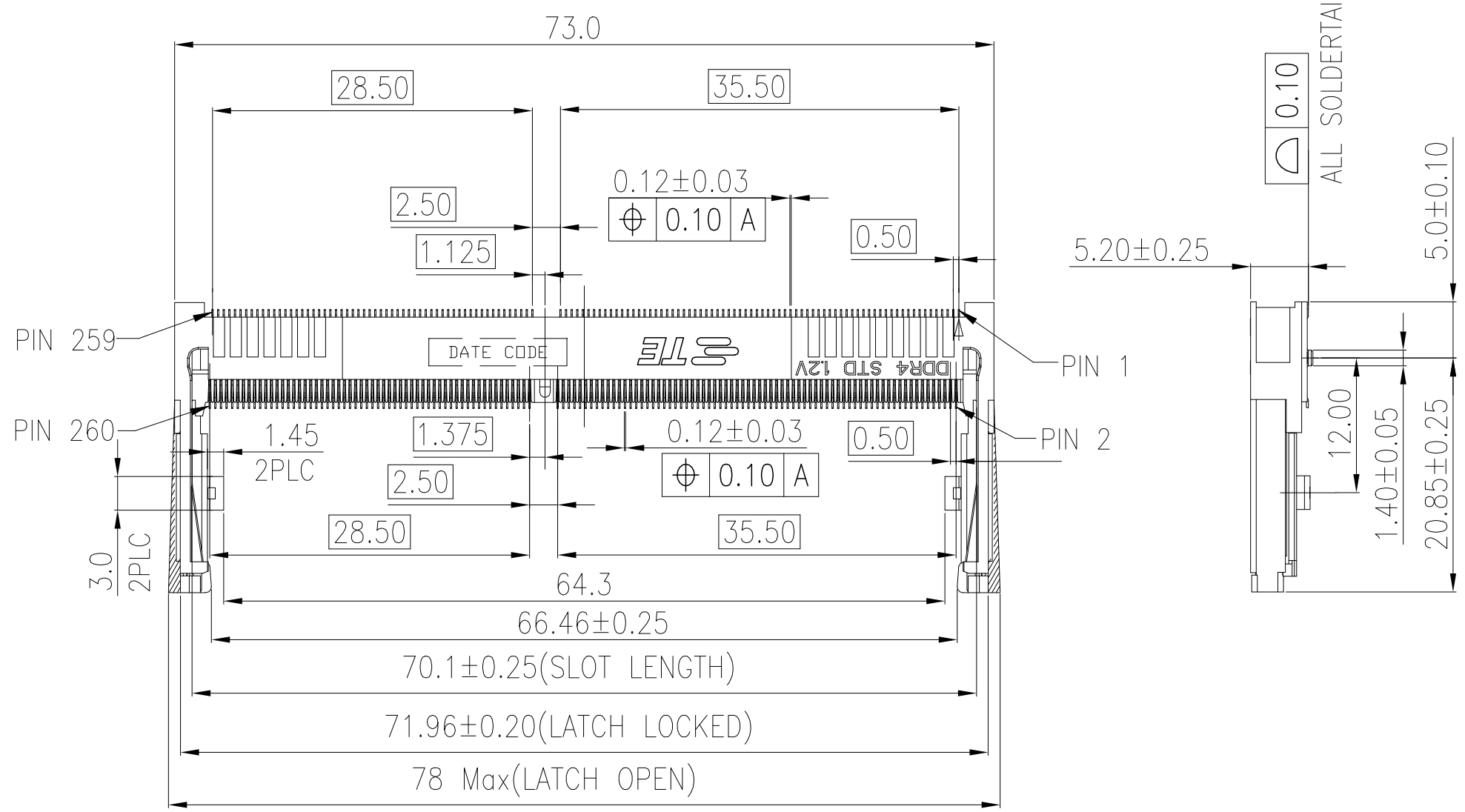
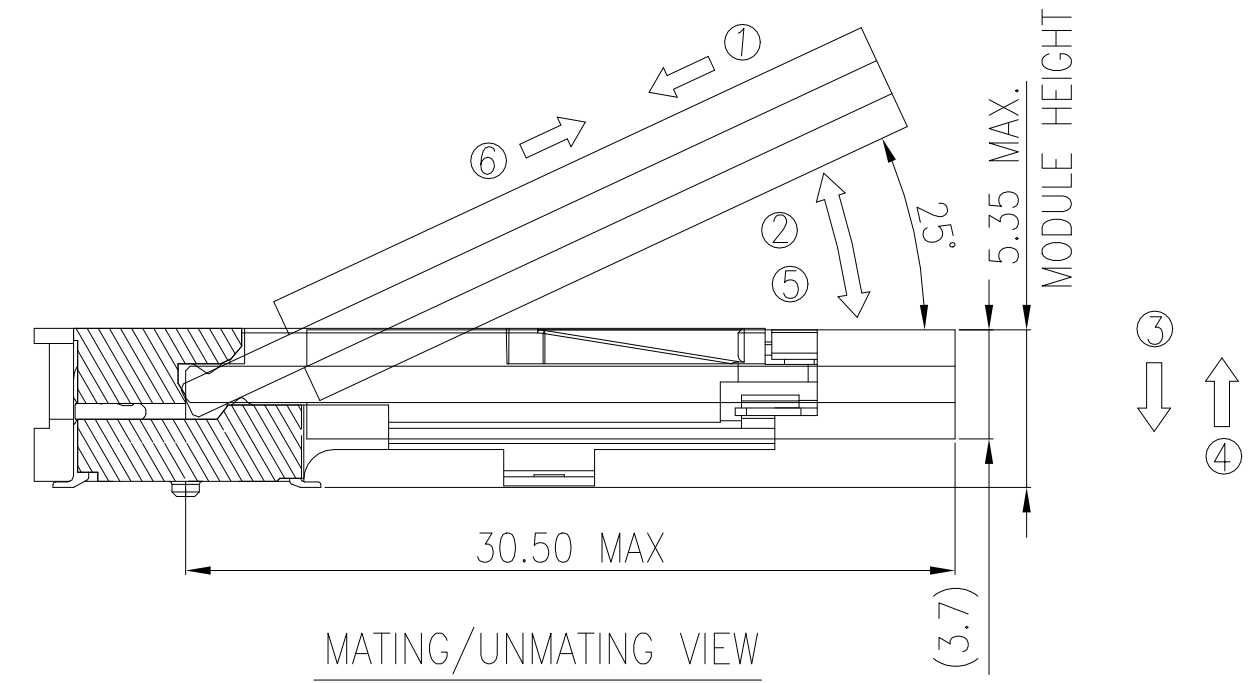


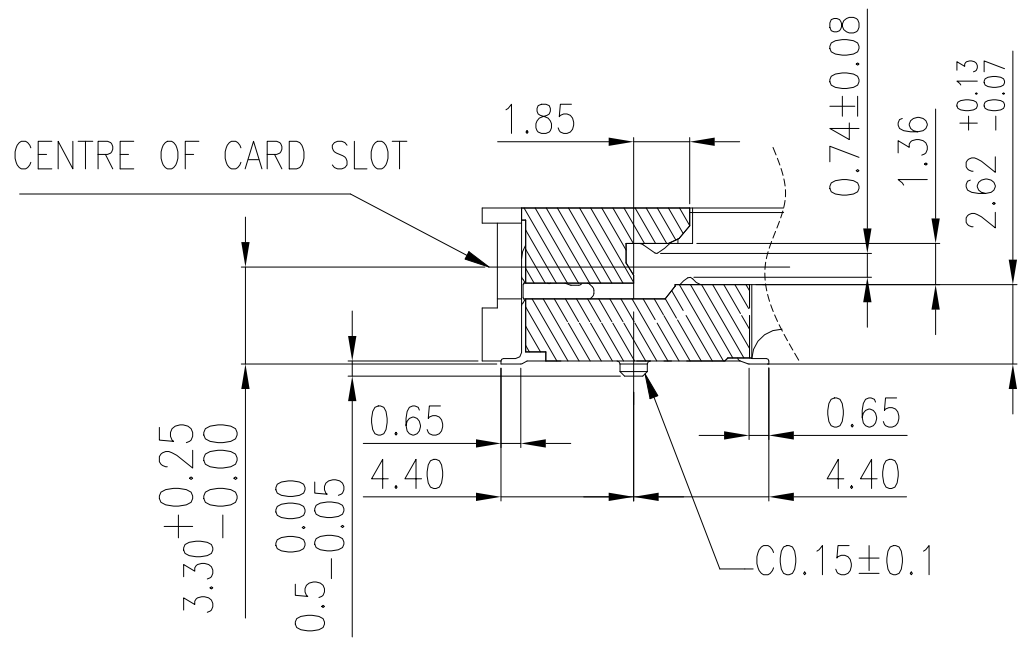
REVISIONS					
P	LTR	DESCRIPTION	DATE	OWN	APVD
5		CHANGE DIM 0.80 TO 0.74+/-0.08	16NOV2020	SS	DZ



- NOTES:
- MATERIAL:
 - HOUSING: HIGH TEMPERATURE THERMO PLASTIC,UL94V-0,COLOR:BLACK.
 - CONTACT: COPPER ALLOY.
 - SOLDER PEG AND LATCH:STAINLESS STEEL.
 - FINISH:
 - SOLDER PEG: GOLD FLASH ON 50u" MIN NICKEL UNDERPLATED ALL OVER.
 - CONTACT SOLDER AREA: GOLD FLASH ON SOLDER TAIL.
 - CONTACT AREA: GOLD FLASH ON 50u" MIN NICKEL UNDERPLATED ALL OVER.
 - CONTACT AREA: 5u" ON 50u" MIN NICKEL UNDERPLATED ALL OVER.
 - CONTACT AREA: 10u" ON 50u" MIN NICKEL UNDERPLATED ALL OVER.
 - CONTACT AREA: 15u" ON 50u" MIN NICKEL UNDERPLATED ALL OVER.
 - CONTACT AREA: 30u" ON 50u" MIN NICKEL UNDERPLATED ALL OVER.
 - COPLANARITY: 0.10 MAX.



MATING: ① INSERTING(25°) → ② ROTATING → ③ FIXED
 UNMATING: ④ UNFIXED → ⑤ ROTATING → ⑥ WITHDRAWING

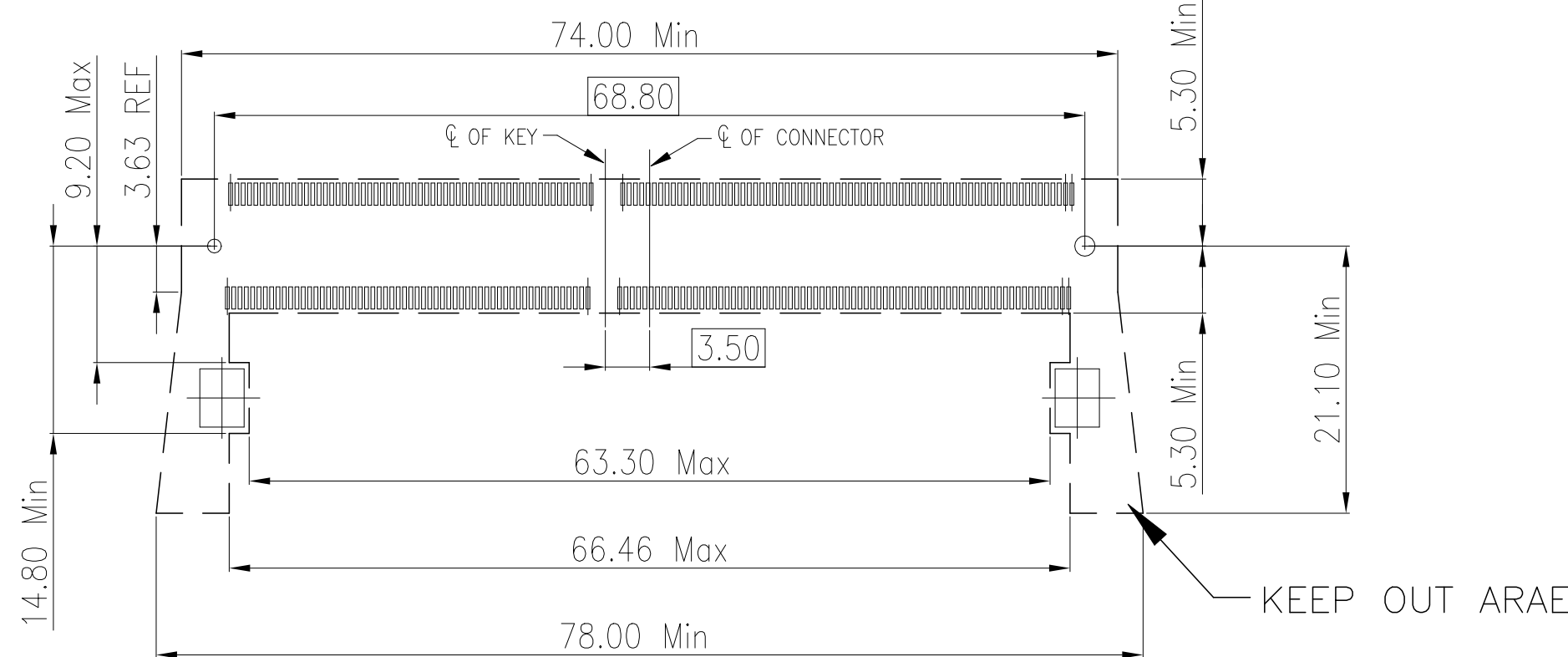
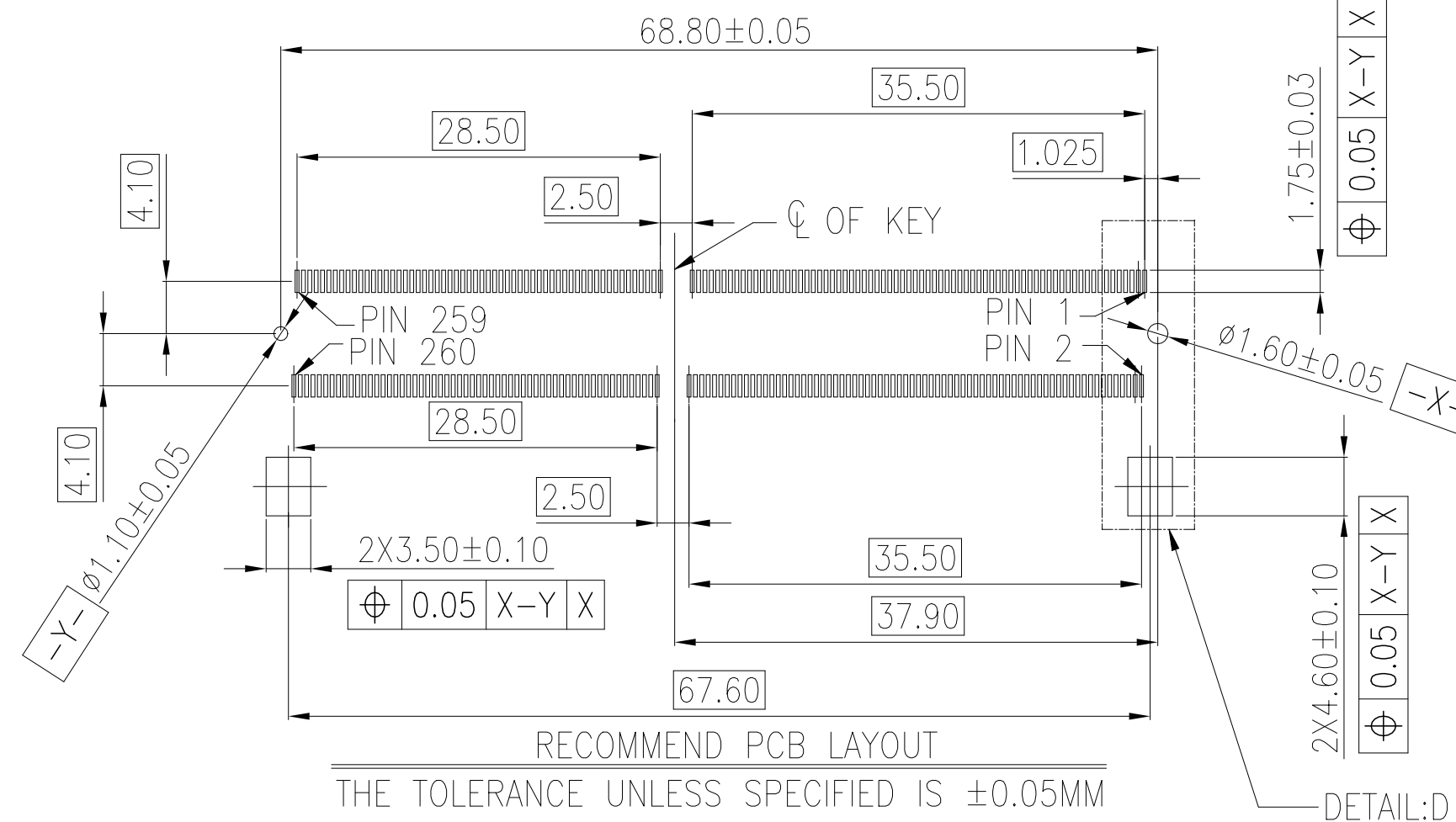
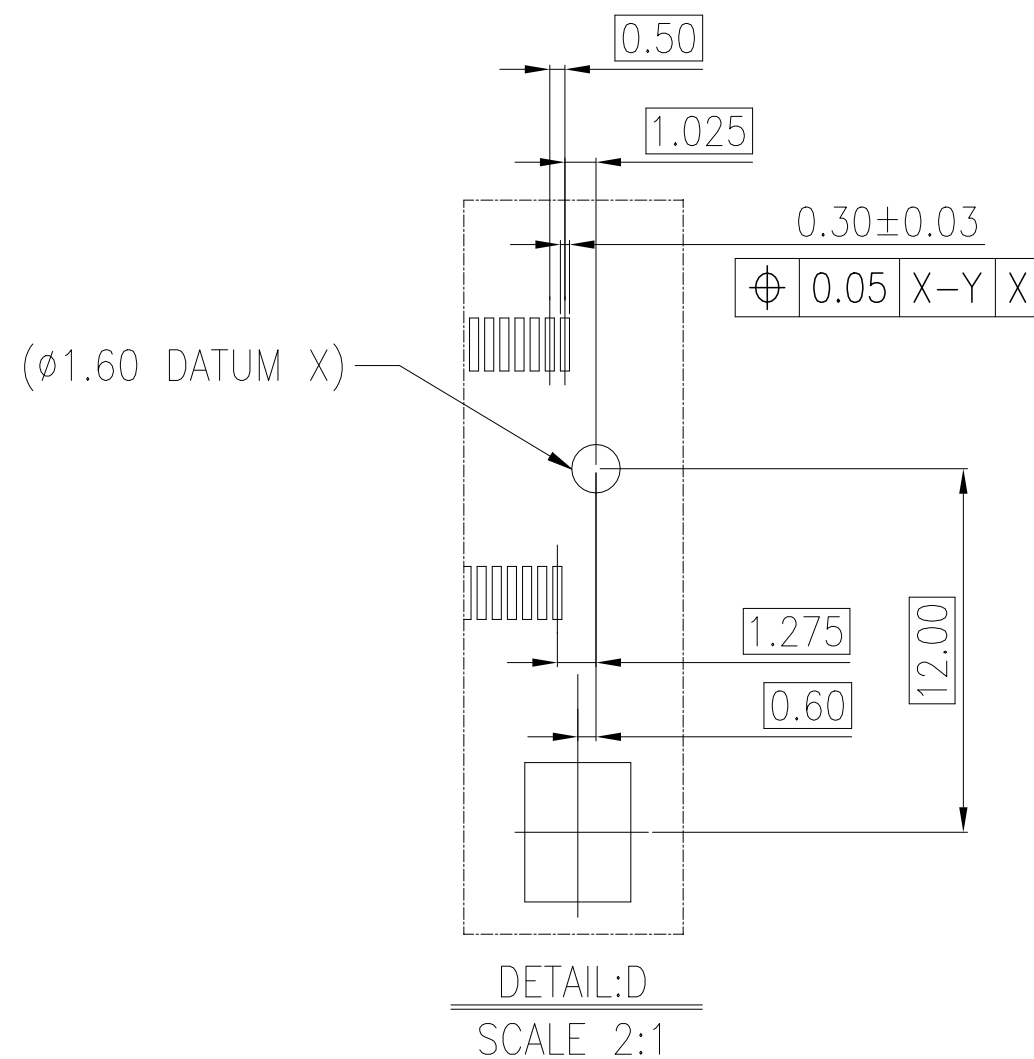
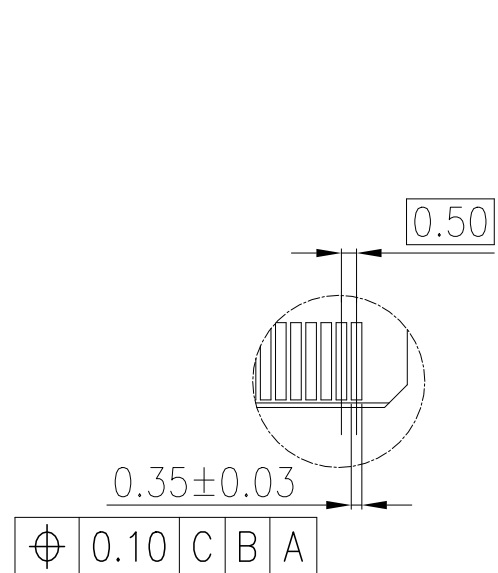
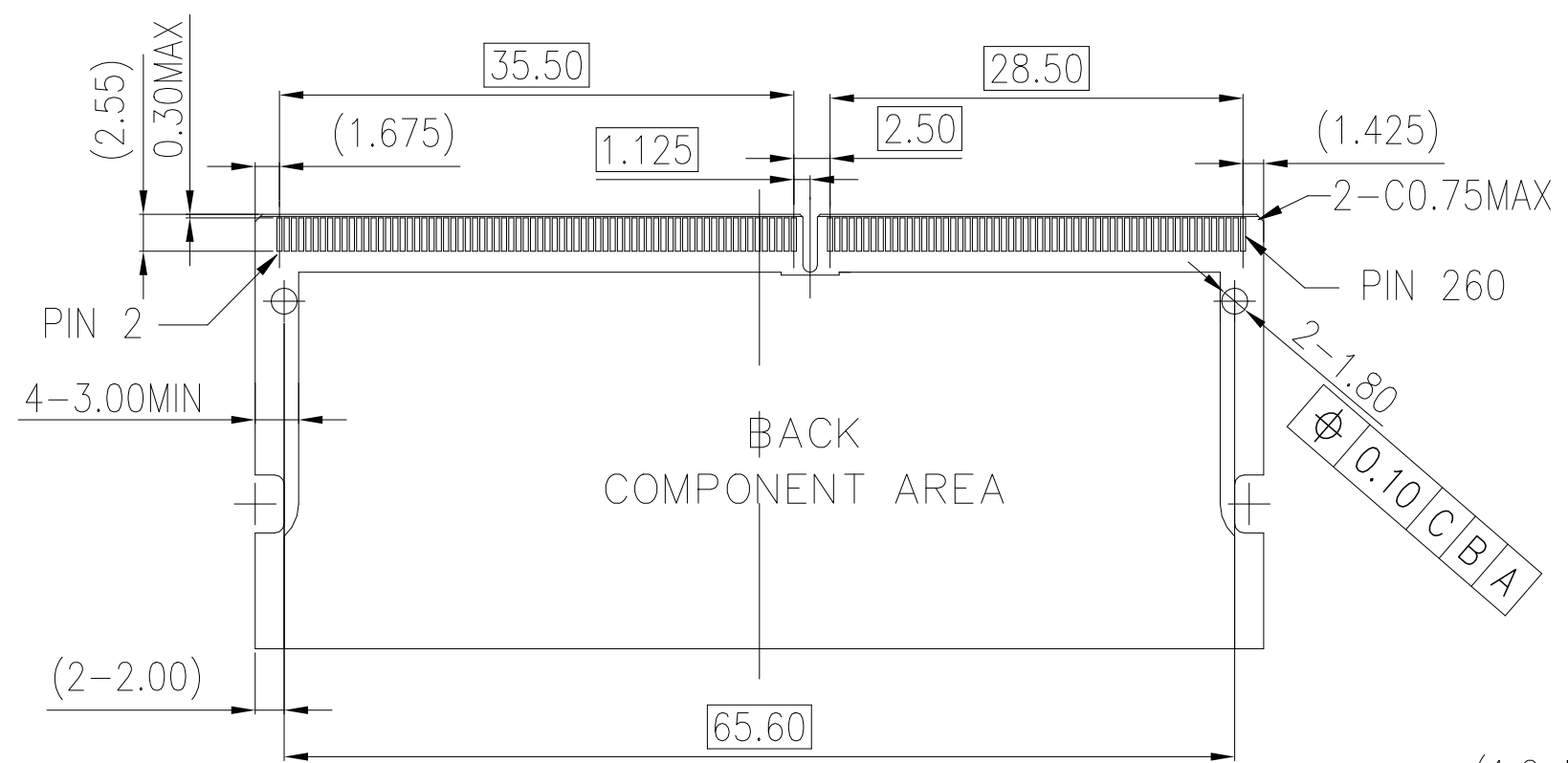
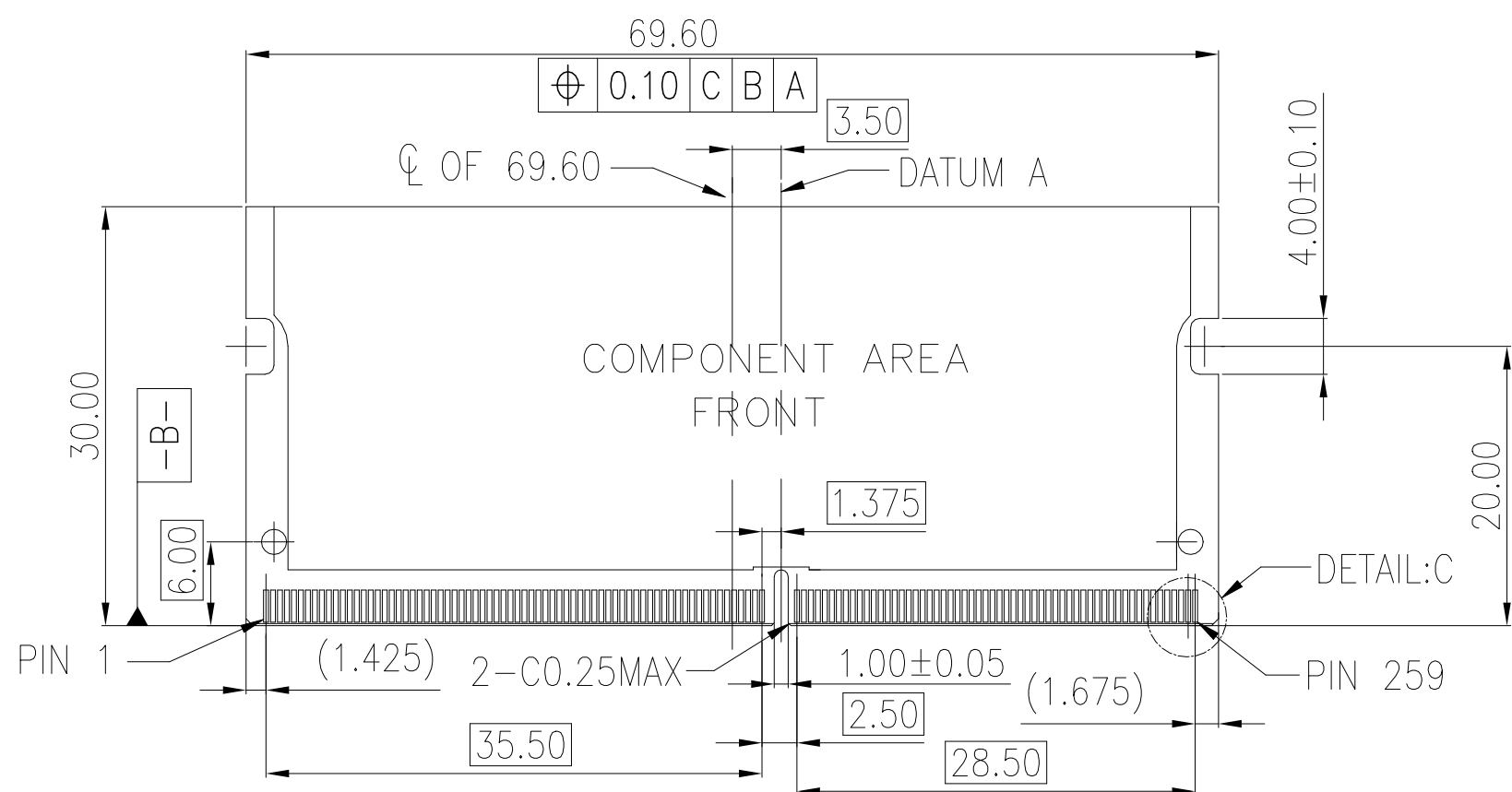


SECTION:A-A
SCALE 2:1

TAPE&REEL	BLACK	1.2V	30u"	260	2309409-5
TAPE&REEL	BLACK	1.2V	15u"	260	2309409-4
TAPE&REEL	BLACK	1.2V	10u"	260	2309409-3
TAPE&REEL	BLACK	1.2V	5u"	260	2309409-2
TAPE&REEL	BLACK	1.2V	GF	260	2309409-1
PACKING TYPE	HOUSING COLOR	POWER SUPPLY	FINISH	POS	PART NO.

THIS DRAWING IS A CONTROLLED DOCUMENT.		DWN DAVID ZHAO 09SEP2016			
DIMENSIONS: mm		CHK RICHARD_MA 09SEP2016			
TOLERANCES UNLESS OTHERWISE SPECIFIED:		APVD SIMON_LI 09SEP2016	NAME		
0 PLC ± -		108-115122		DDR4 SODIMM SOCKET	
1 PLC ± 0.25		APPLICATION SPEC		0.5mm PITCH 260POS	
2 PLC ± 0.15		WEIGHT -		5.2mm HEIGHT STANDARD TYPE	
3 PLC ± 0.10		SIZE A2		CAGE CODE 00779	
4 PLC ± -		DRAWING NO		DRAWING NO	
ANGLES ± -		SCALE 1:1		SHEET 1 of 3	
FINISH		CUSTOMER DRAWING		REV 5	

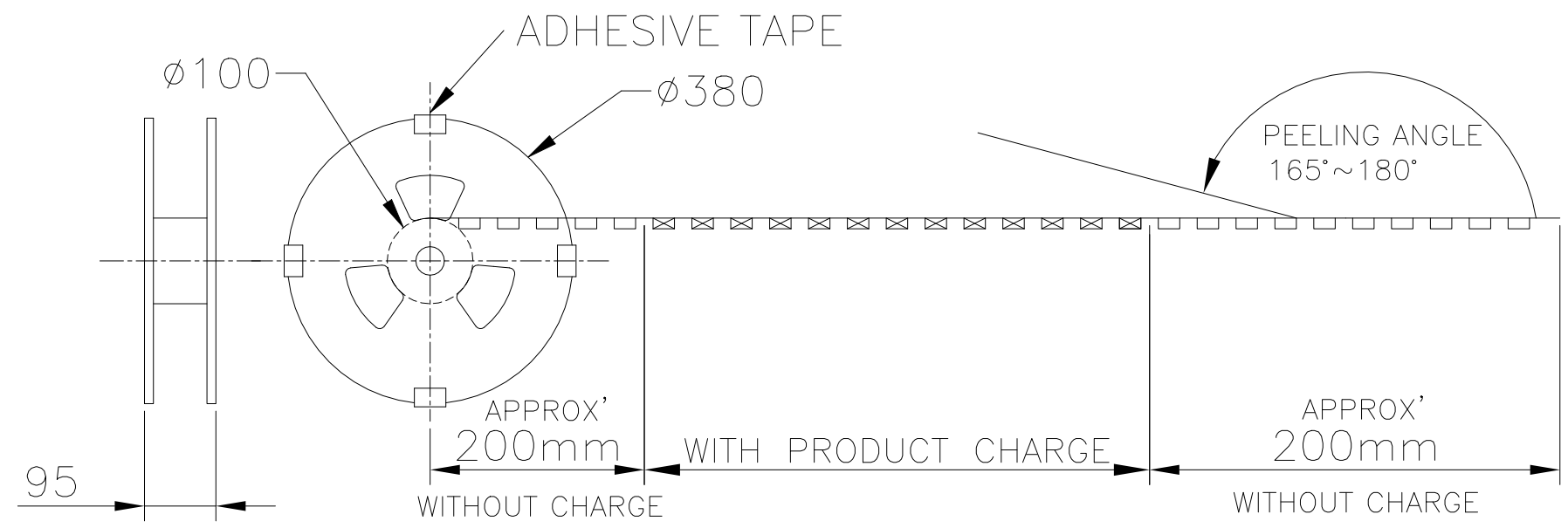
REVISIONS				
P	LTR	DESCRIPTION	DATE	OWN APVD
-	-		-	-



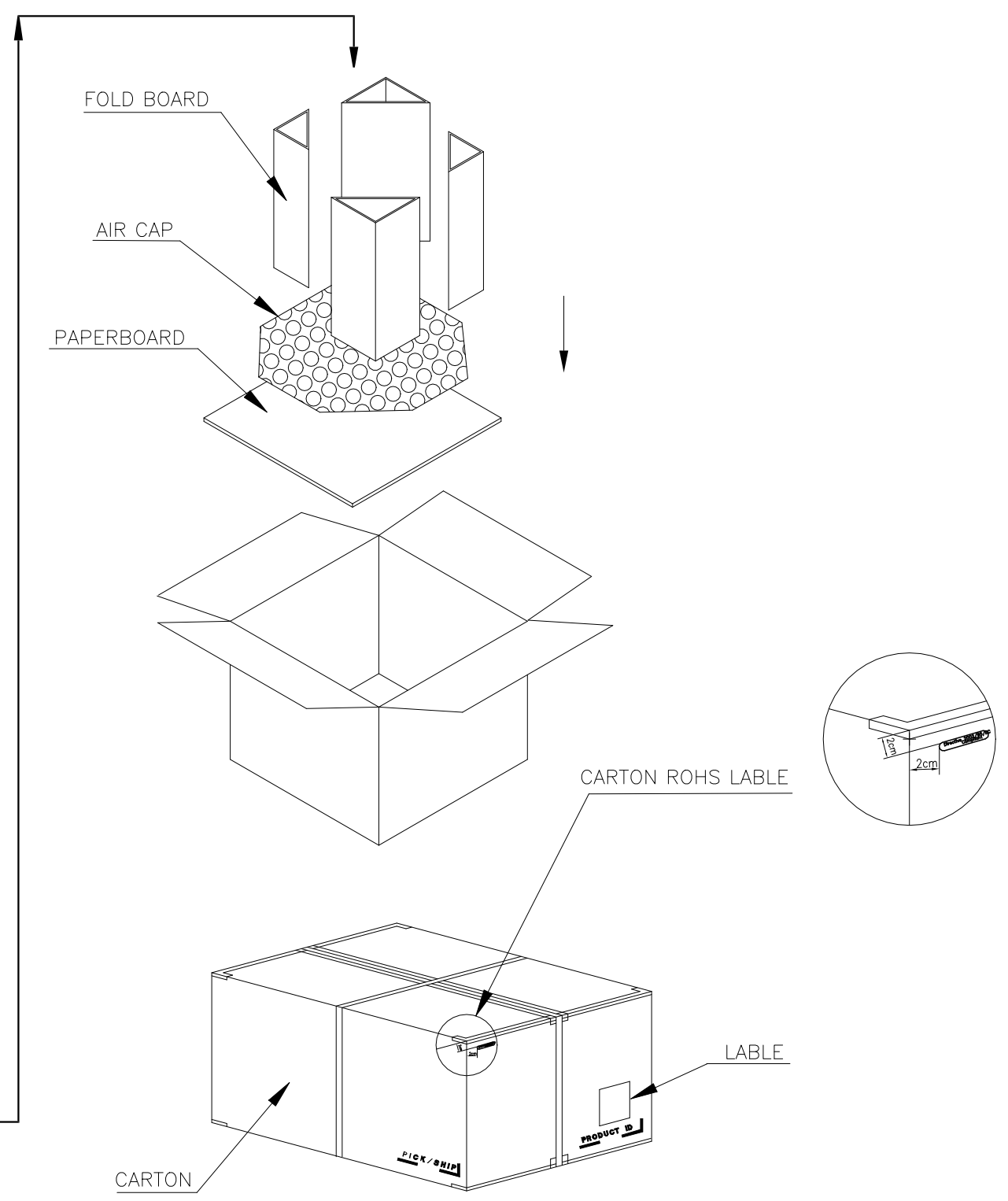
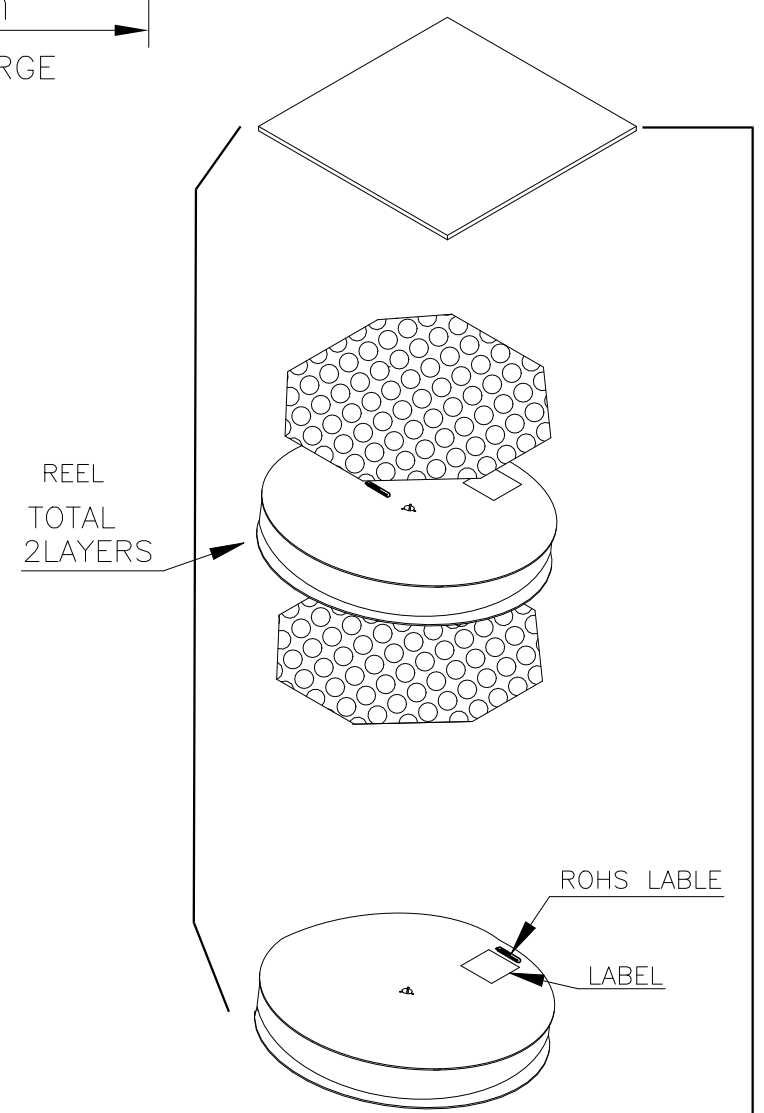
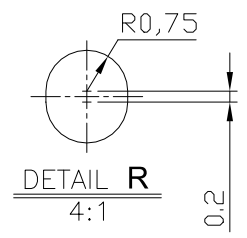
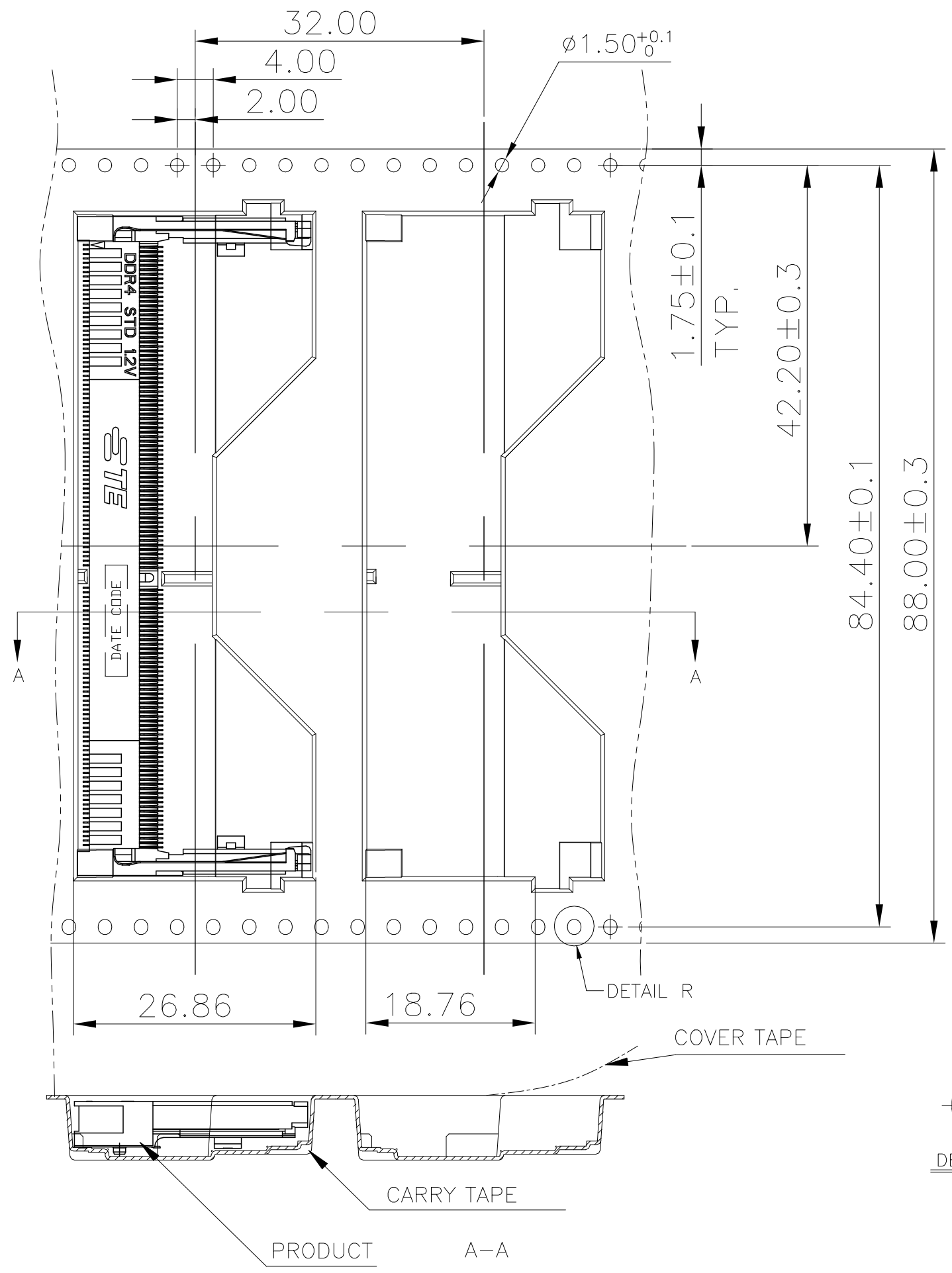
THIS DRAWING IS A CONTROLLED DOCUMENT.		DWN DAVID ZHAO 09SEP2016		
DIMENSIONS: mm		CHK RICHARD ,MA 09SEP2016		
TOLERANCES UNLESS OTHERWISE SPECIFIED:		APVD SIMON LI 09SEP2016	NAME	
0 PLC ±	1 PLC ±	PRODUCT SPEC	DDR4 SODIMM SOCKET	
2 PLC ±	3 PLC ±	APPLICATION SPEC	0.5mm PITCH 260POS	
4 PLC ±	ANGLES ±	WEIGHT	5.2mm HEIGHT STANDARD TYPE	
MATERIAL FINISH		CUSTOMER DRAWING	SIZE A2	RESTRICTED TO
			CAGE CODE 00779	DRAWING NO
			SCALE 1:1	REV 5
			DRAWING NO C=2309409	SHEET 2 OF 3

THIS DRAWING IS UNPUBLISHED. RELEASED FOR PUBLICATION
 © COPYRIGHT 2016 By TE connectivity ALL RIGHTS RESERVED.

REVISIONS					
P	LTR	DESCRIPTION	DATE	OWN	APVD
-	-		-	-	-



PULL OUT DIRECTION →



400	2	800	*-2309409-*
PCS/ REEL	REEL/ CARTON	PCS/ CARTON	PART NUMBER

THIS DRAWING IS A CONTROLLED DOCUMENT.		DWN DAVID ZHAO 09SEP2016		
DIMENSIONS: mm		CHK RICHARD, MA 09SEP2016		
TOLERANCES UNLESS OTHERWISE SPECIFIED:		APVD SIMON LI 09SEP2016	NAME	
0 PLC ±	1 PLC ±	PRODUCT SPEC	DDR4 SODIMM SOCKET	
2 PLC ±	3 PLC ±	APPLICATION SPEC	0.5mm PITCH 260POS	
4 PLC ±	ANGLES ±	WEIGHT	5.2mm HEIGHT STANDARD TYPE	
MATERIAL FINISH		CUSTOMER DRAWING	SIZE A2	CAGE CODE 00779
		SCALE -	DRAWING NO C=2309409	RESTRICTED TO
		SHEET 3 of 3	REV 5	

单击下面可查看定价，库存，交付和生命周期等信息

[>>TE Connectivity\(泰科\)](#)