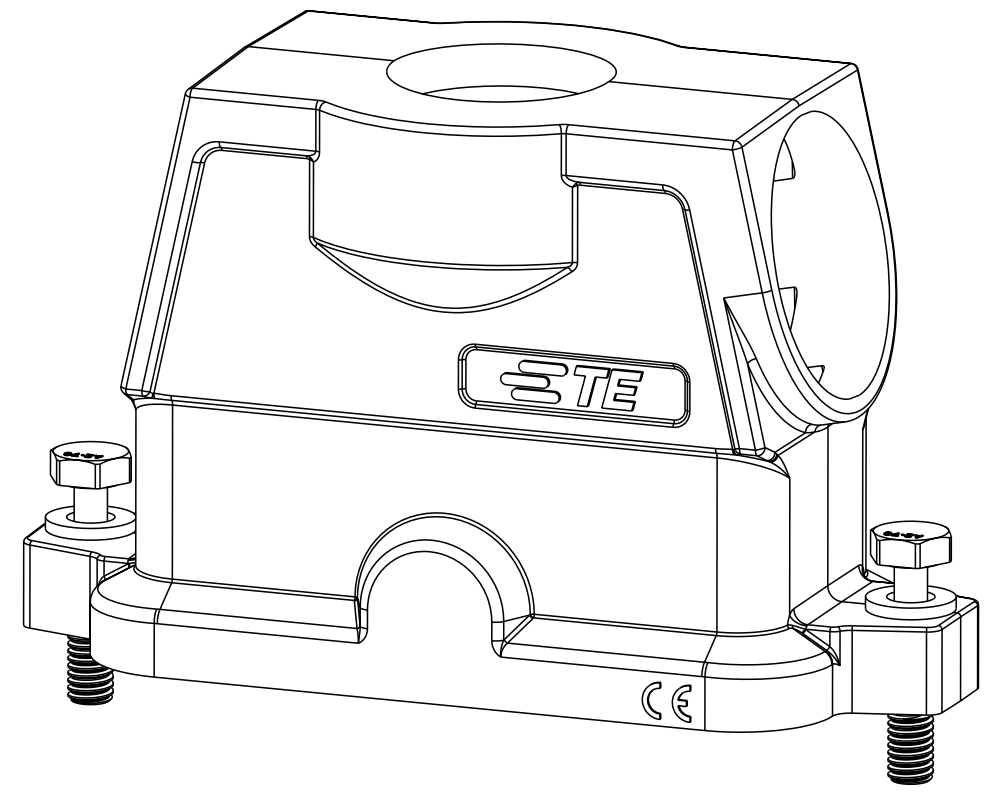
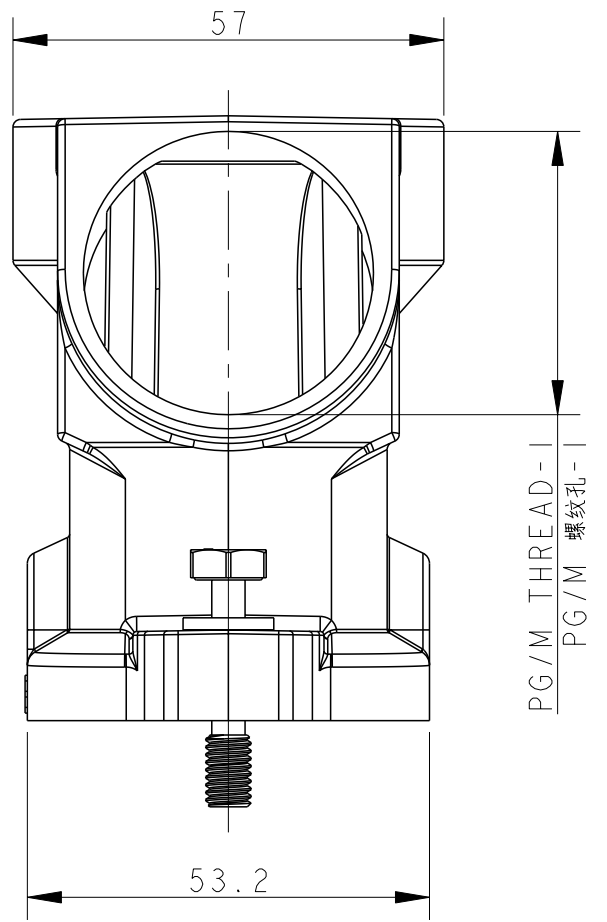
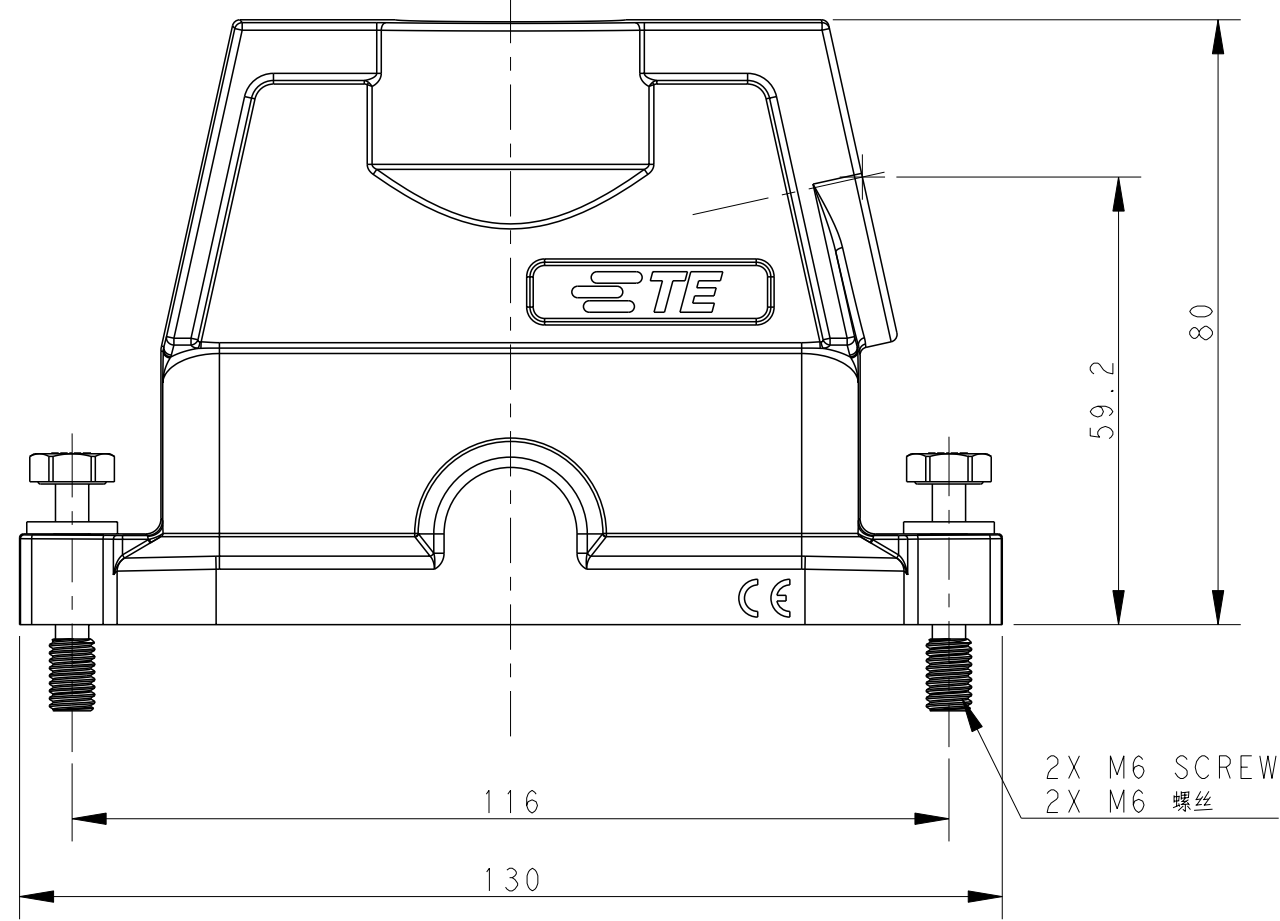
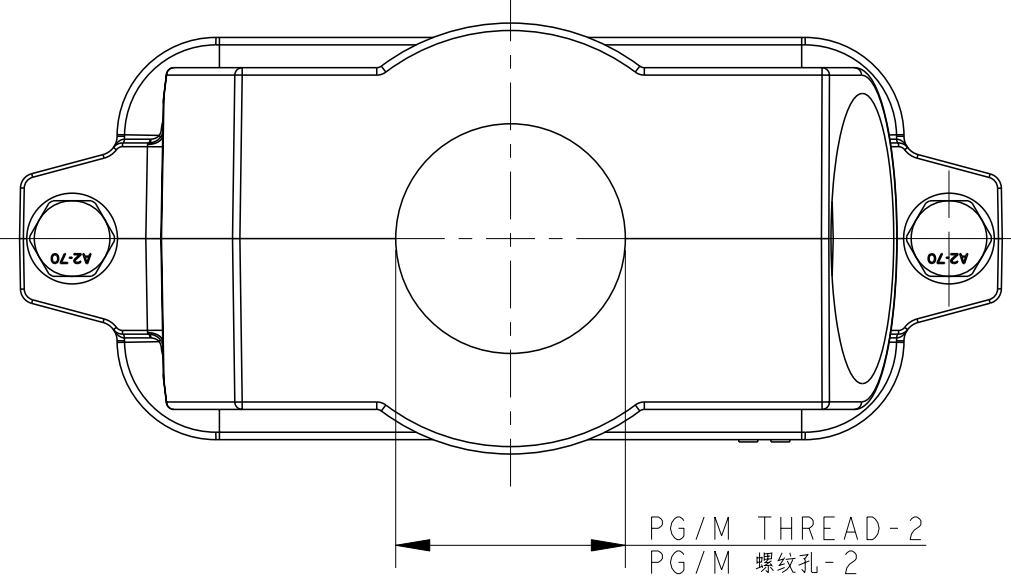
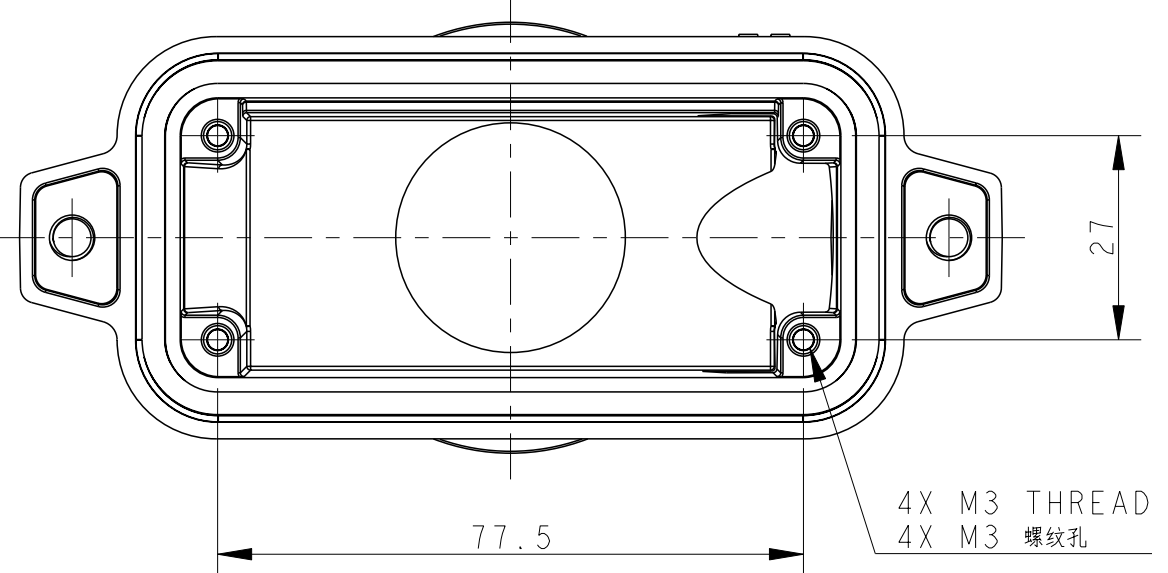


REVISIONS				
P	LTR	DESCRIPTION	DATE	APVD
A		INITIAL RELEASE	08OCT2016	DW CW
B		ECR-20-016312	03JUN2021	BS CW



NOTES:  
 1. TECHNICAL CHARACTERISTICS:  
 HOOD MATERIAL: DIE CAST ALUMINIUM ALLOY  
 SURFACE: SEE TABLE  
 DEGREE OF PROTECTION: IP68 (MATED)

注释:  
 1. 技术参数:  
 壳体材料: 铝合金  
 表面处理: 见表格  
 防护等级: IP68 (配合)



T1902164020-009	HI6BPR-TG/SHC-M20/M40-EMC-C	HI6BPR HOOD, CENTER LOCKING, TOP ENTRY M20, SIDE ENTRY M40, POWDER COATED, SILVER WHITE HI6BPR中部锁定顶出M20侧出M40上壳, 银白色粉末喷涂	M20	M40
T1902164025-009	HI6BPR-TG/SHC-M40/M25-EMC-C	HI6BPR HOOD, CENTER LOCKING, TOP ENTRY M40, SIDE ENTRY M25, POWDER COATED, SILVER WHITE HI6BPR中部锁定顶出M40侧出M25上壳, 银白色粉末喷涂	M40	M25
T1902163240-009	HI6BPR-TG/SHC-M32/M40-EMC-C	HI6BPR HOOD, CENTER LOCKING, TOP ENTRY M32, SIDE ENTRY M40, POWDER COATED, SILVER WHITE HI6BPR中部锁定顶出M32侧出M40上壳, 银白色粉末喷涂	M32	M40
T1902164020-109	HI6BPR-TG/SHC-M20/M40-EMC-C	HI6BPR HOOD, CENTER LOCKING, TOP ENTRY M20, SIDE ENTRY M40, POWDER COATED, BLACK HI6BPR中部锁定顶出M20侧出M40上壳, 黑色粉末喷涂	M20	M40
T1902164025-109	HI6BPR-TG/SHC-M40/M25-EMC-C	HI6BPR HOOD, CENTER LOCKING, TOP ENTRY M40, SIDE ENTRY M25, POWDER COATED, BLACK HI6BPR中部锁定顶出M40侧出M25上壳, 黑色粉末喷涂	M40	M25
T1902163240-109	HI6BPR-TG/SHC-M32/M40-EMC-C	HI6BPR HOOD, CENTER LOCKING, TOP ENTRY M32, SIDE ENTRY M40, POWDER COATED, BLACK HI6BPR中部锁定顶出M32侧出M40上壳, 黑色粉末喷涂	M32	M40
PART NUMBER 料号	PART DESCRIPTION 描述		PG/M THREAD-2 PG/M 螺纹孔-2	PG/M THREAD-1 PG/M 螺纹孔-1

THIS DRAWING IS A CONTROLLED DOCUMENT.

DWN: DAVID WANG 08OCT2016  
 CHK: CHRIS WANG 08OCT2016  
 APVD: XIANG XU 08OCT2016

DAVID WANG  
 CHRIS WANG  
 XIANG XU

STE TE Connectivity

NAME: HI6BPR-TG/SHC-PG/M-EMC-C

PRODUCT SPEC: 108-137191  
 APPLICATION SPEC: 114-137191

SIZE: A2 CAGE CODE: - DRAWING NO: G-T190216XXXXX09 RESTRICTED TO: -

MATERIAL: - TOLERANCES UNLESS OTHERWISE SPECIFIED: 0 PLC ±, 1 PLC ±, 2 PLC ±, 3 PLC ±, 4 PLC ±, ANGLES ±, FINISH -

Customer Drawing SCALE: 1:1 SHEET: 1 OF 1 REV: B

Printed on 7 Jun 2021 15:24 (China Standard Time) from TE236667

单击下面可查看定价，库存，交付和生命周期等信息

[>>TE Connectivity\(泰科\)](#)