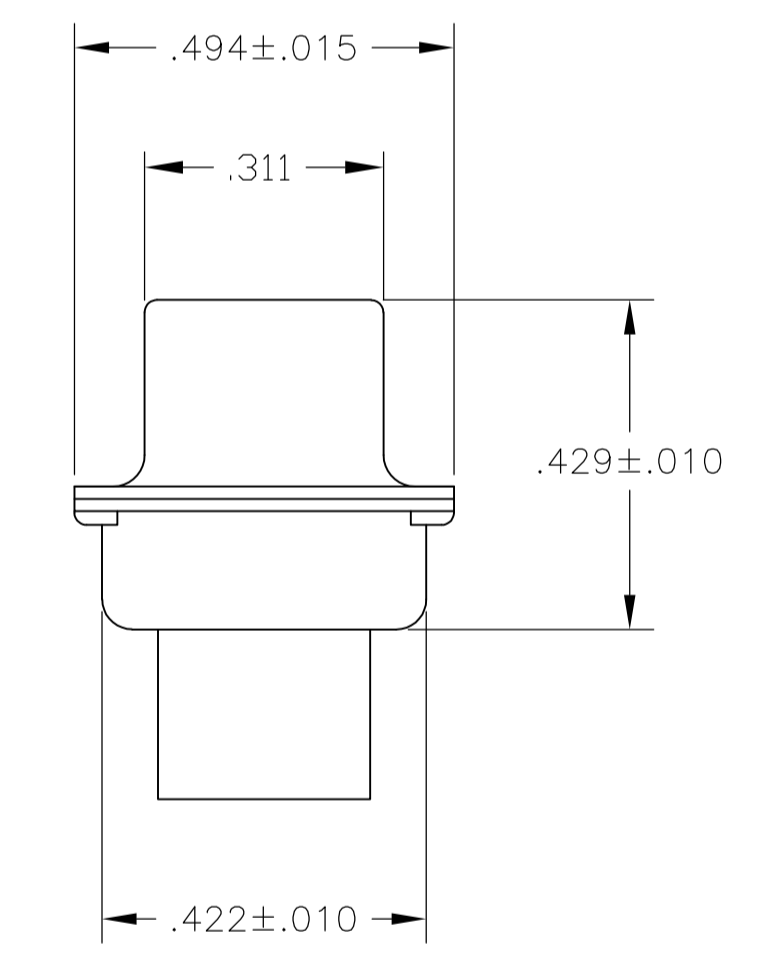
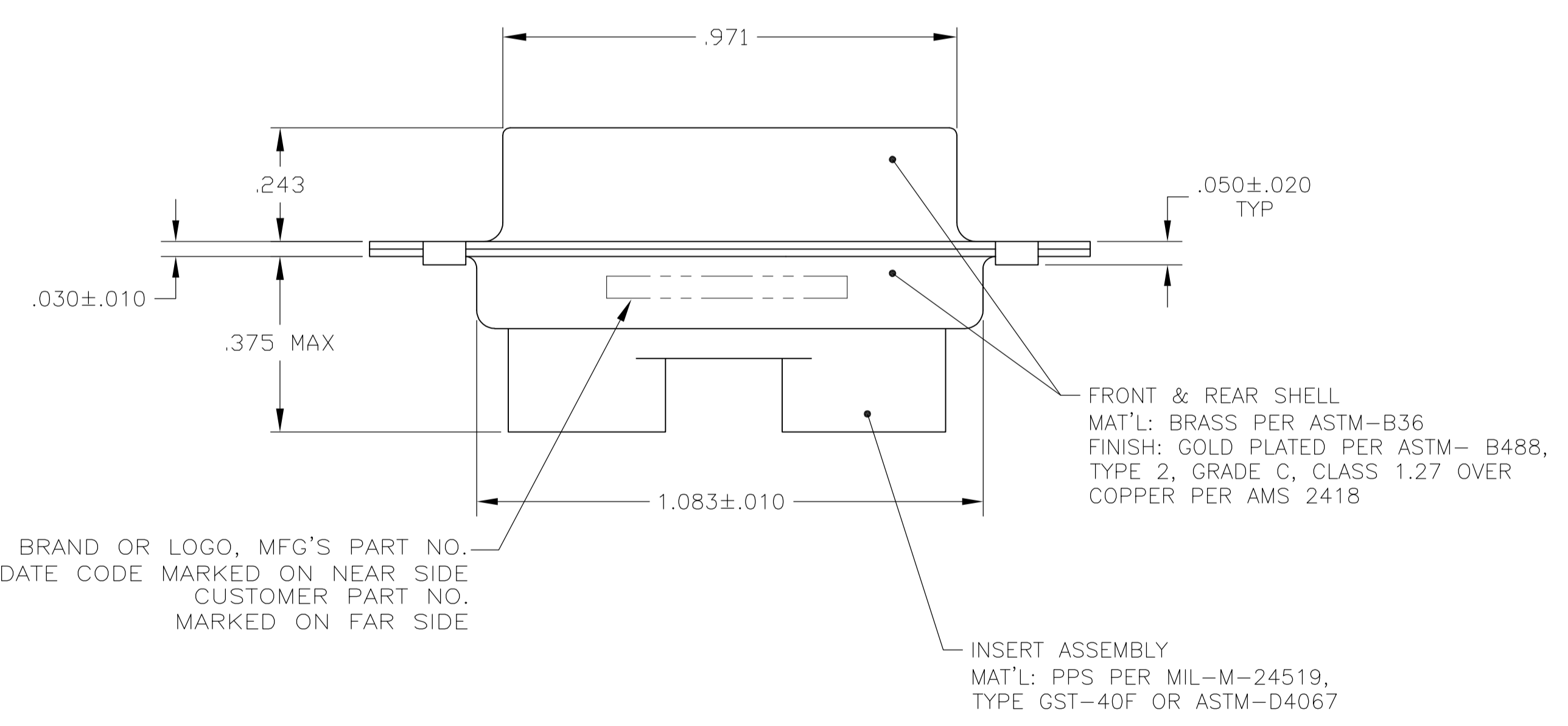
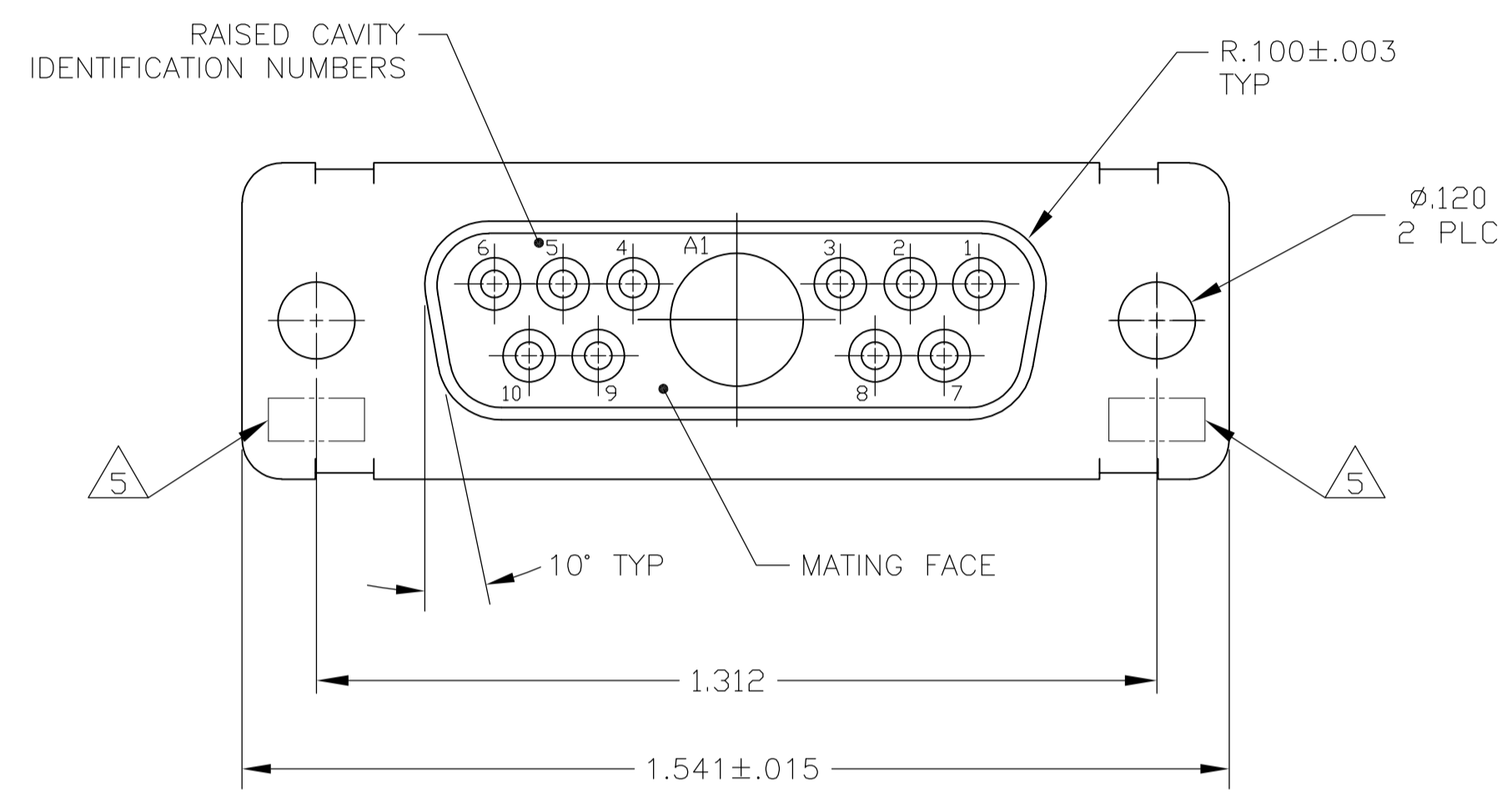


| LOC | | DIST | | REVISIONS | | | |
|-----|-----|-----------------------|-----------|-----------|------|--|--|
| P | LTR | DESCRIPTION | DATE | DWN | APVD | | |
| C | | REV PER ECO 08-030008 | 21JAN2009 | PK | RL | | |

1. THIS RECEPTACLE WILL MATE WITH ANY 11C1, SIZE 2 PLUG IN AMPLIMITE SERIES.
 2. MAXIMUM WIRE INSULATION TO BE USED WITH THIS PLUG IS $\phi.072$.
 3. THIS CONNECTOR ACCEPTS (1) POWER 8, OR COAX PIN CONTACT IN POSITIONS A1, PURCHASED SEPARATELY.
 4. THIS CONNECTOR ACCEPTS SIZE 20 SOCKET CONTACTS IN POSITIONS 1 THRU 10. PURCHASED SEPARATELY.
- $\triangle 5$ UL/CSA DESIGNATION STAMPED IN THIS AREA, OPTIONAL.



MFG'S NAME, BRAND OR LOGO, MFG'S PART NO. AND DATE CODE MARKED ON NEAR SIDE
 CUSTOMER PART NO. MARKED ON FAR SIDE

FRONT & REAR SHELL
 MAT'L: BRASS PER ASTM-B36
 FINISH: GOLD PLATED PER ASTM- B488,
 TYPE 2, GRADE C, CLASS 1.27 OVER
 COPPER PER AMS 2418

INSERT ASSEMBLY
 MAT'L: PPS PER MIL-M-24519,
 TYPE GST-40F OR ASTM-D4067

| | |
|-------------------|-----------|
| B010950-0014 | 1883533-1 |
| CUSTOMER PART NO. | PART NO. |

| | | | | | | | | | | | | | | | | | | | | | | |
|---|---|------------------------------|---|--------------------|-------|---|---|-------|---|---|-------|---|------|-------|---|---|--------|---|-------|------------|--------------------|------------------------|
| THIS DRAWING IS A CONTROLLED DOCUMENT. | | DIN C.C.THOMAS 10-4-06 | Tyco Electronics Corporation Harrisburg, Pa 17105-3608 | | | | | | | | | | | | | | | | | | | |
| DIMENSIONS: INCHES | | CHK D.MILLER 10-4-06 | NAME D.MILLER PRODUCT SPEC | | | | | | | | | | | | | | | | | | | |
| TOLERANCES UNLESS OTHERWISE SPECIFIED: | | APPLICATION SPEC | | | | | | | | | | | | | | | | | | | | |
| <table border="1"> <tr><td>0 PLC</td><td>±</td><td>-</td></tr> <tr><td>1 PLC</td><td>±</td><td>-</td></tr> <tr><td>2 PLC</td><td>±</td><td>-</td></tr> <tr><td>3 PLC</td><td>±</td><td>.005</td></tr> <tr><td>4 PLC</td><td>±</td><td>-</td></tr> <tr><td>ANGLES</td><td>±</td><td>0°30'</td></tr> </table> | | 0 PLC | ± | - | 1 PLC | ± | - | 2 PLC | ± | - | 3 PLC | ± | .005 | 4 PLC | ± | - | ANGLES | ± | 0°30' | SIZE A1 | CAGE CODE 00779 | DRAWING NO. 1883533 |
| 0 PLC | ± | - | | | | | | | | | | | | | | | | | | | | |
| 1 PLC | ± | - | | | | | | | | | | | | | | | | | | | | |
| 2 PLC | ± | - | | | | | | | | | | | | | | | | | | | | |
| 3 PLC | ± | .005 | | | | | | | | | | | | | | | | | | | | |
| 4 PLC | ± | - | | | | | | | | | | | | | | | | | | | | |
| ANGLES | ± | 0°30' | | | | | | | | | | | | | | | | | | | | |
| MATERIAL SEE CALLOUTS | | FINISH SEE CALLOUTS | WEIGHT - | RESTRICTED TO - | | | | | | | | | | | | | | | | | | |
| CUSTOMER DRAWING | | SCALE 4:1 | SHEET 1 OF 1 | REV C | | | | | | | | | | | | | | | | | | |

单击下面可查看定价，库存，交付和生命周期等信息

[>>TE Connectivity\(泰科\)](#)