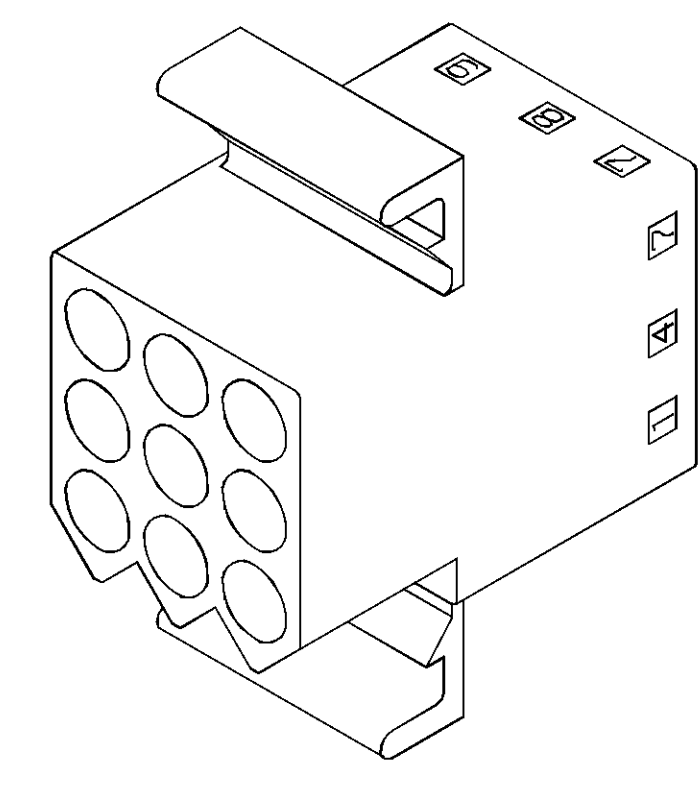
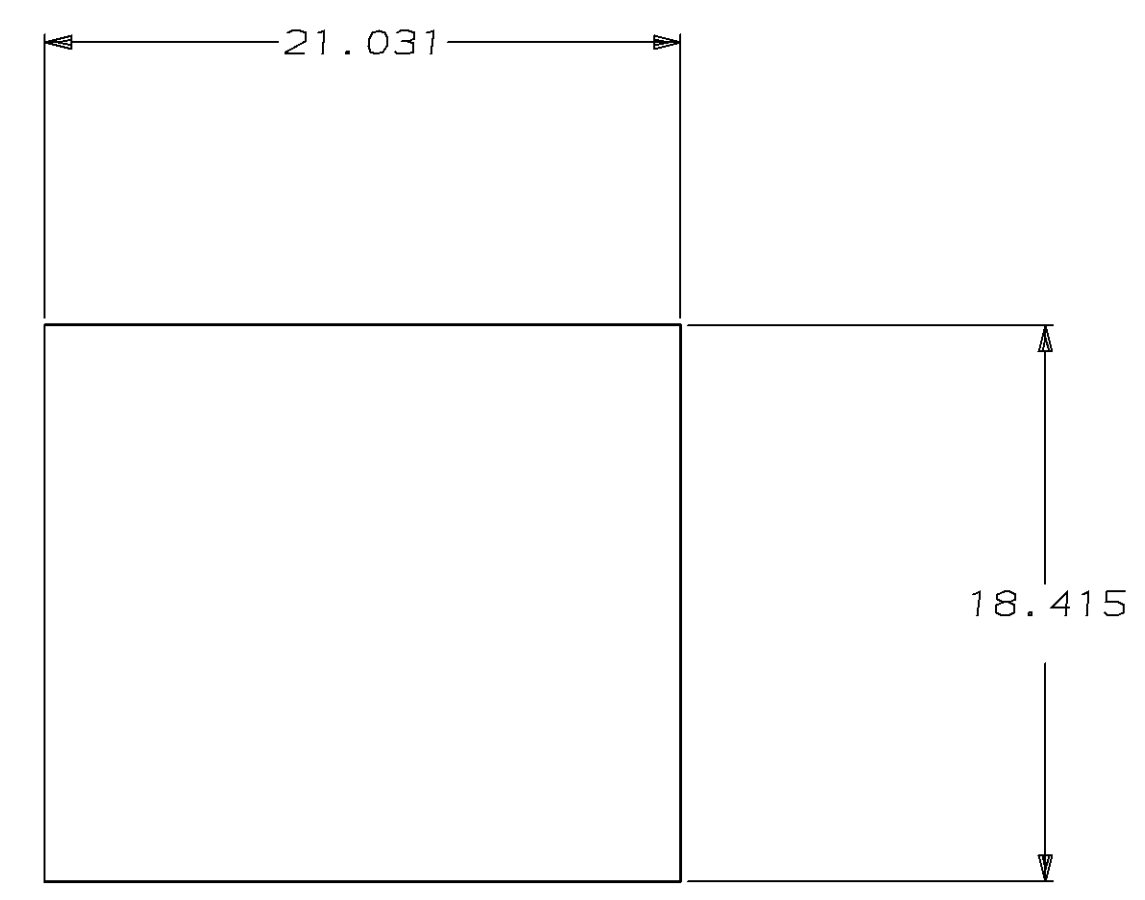


- 1 MATERIAL: NYLON UL94V-2 (NATURAL).
- 2. RECOMMENDED PANEL THICKNESS 2.29 MAX.
- 3 MARKING FOR UL LOGO AND CSA LOGO LOCATED APPROXIMATELY AS SHOWN.



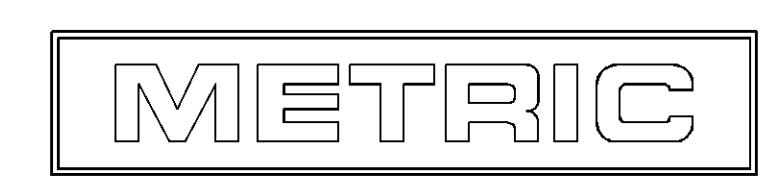
3D MODEL NTS



RECOMMENDED PANEL CUTOUT

MM	IN	MM	IN	MM	IN
2.36	.093	18.415	.7250	-	-
2.29	.090	17.018	.6700	-	-
0.38	.015	16.891	.6650	31.115	1.2250
0.25	.010	16.129	.6350	25.400	1.0000
0.13	.005	5.029	.1980	21.031	.8280
MM	IN	MM	IN	MM	IN

CONVERSION TABLE



770091-1
PART NUMBER

THIS DRAWING IS A CONTROLLED DOCUMENT.		DWN J. HUFFMAN	10-11-96	AMP AMP Incorporated Harrisburg, PA 17105-3608
DIMENSIONS: INCHES		CHK R. SWING	10-11-96	
TOLERANCES UNLESS OTHERWISE SPECIFIED:		APVD C. CASH	10-15-96	NAME RECEPTACLE, 9 CIRCUIT .093 COMMERCIAL PIN & SOCKET
0 PLC ±.010 1 PLC ±.010 2 PLC ±.010 3 PLC ±0.13 4 PLC ±.010 ANGLES ±.005		PRODUCT SPEC	APPLICATION SPEC	RESTRICTED TO
MATERIAL		WEIGHT	SIZE A1	CARE CODE 00779
FINISH		SCALE 4:1	SHEET 1 OF 1	REV F

单击下面可查看定价，库存，交付和生命周期等信息

[>>TE Connectivity\(泰科\)](#)