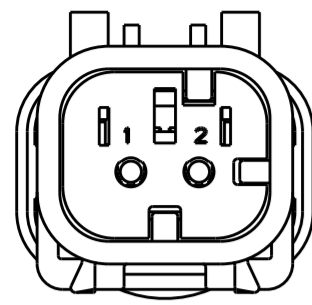
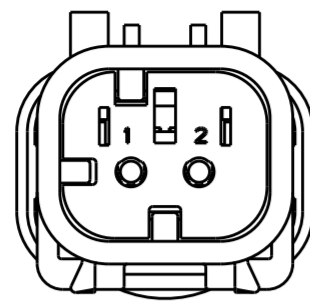


THIS DRAWING IS UNPUBLISHED. RELEASED FOR PUBLICATION
 © COPYRIGHT 20 BY - ALL RIGHTS RESERVED.

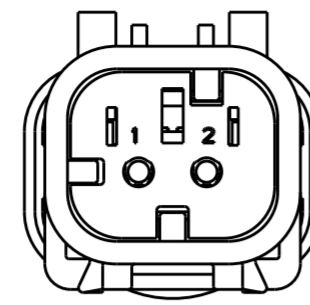
REVISIONS				
P	LTR	DESCRIPTION	DATE	APVD
E		REVISED PER ECO-13-019067	05DEC2013	DR RB



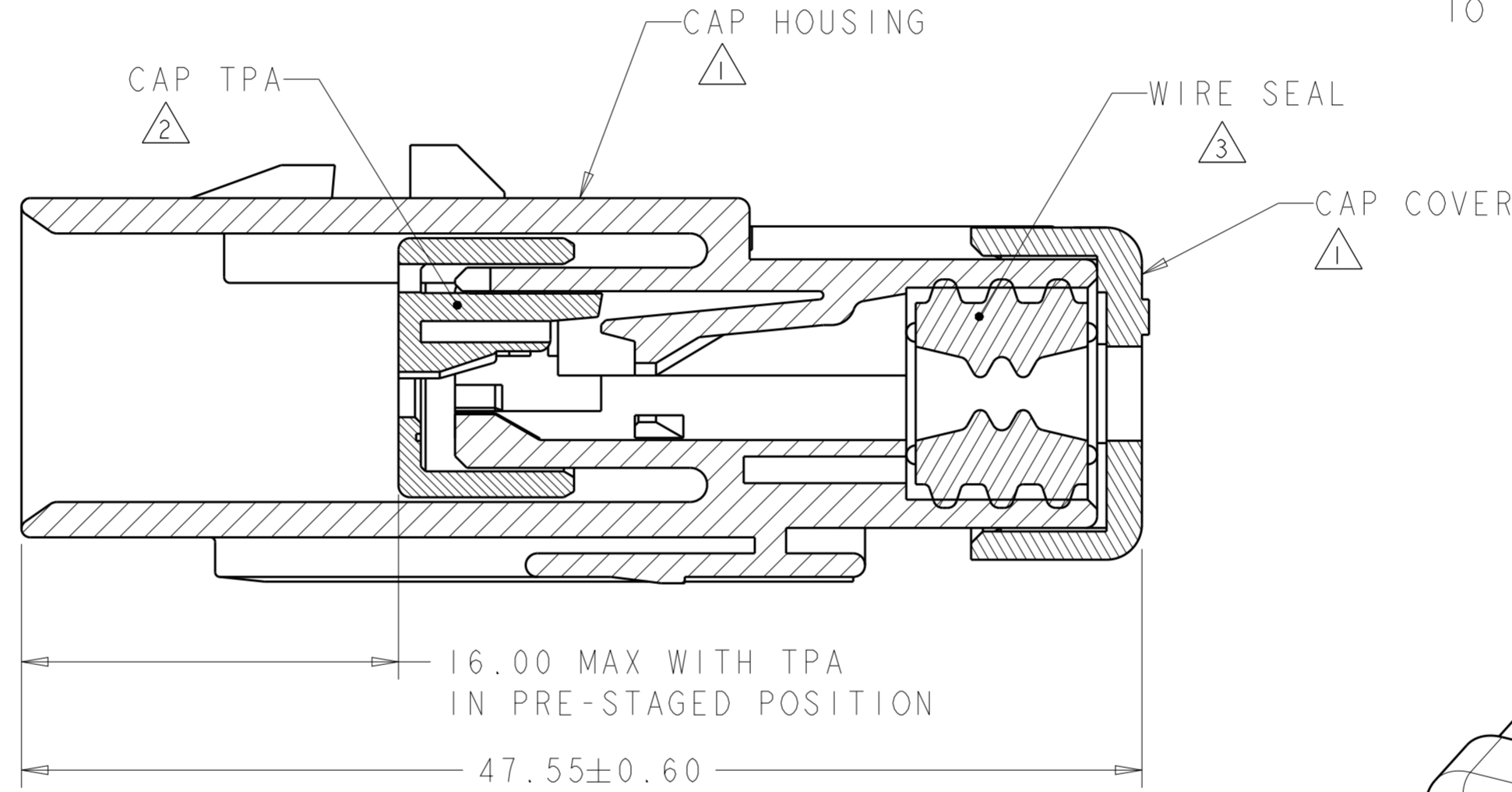
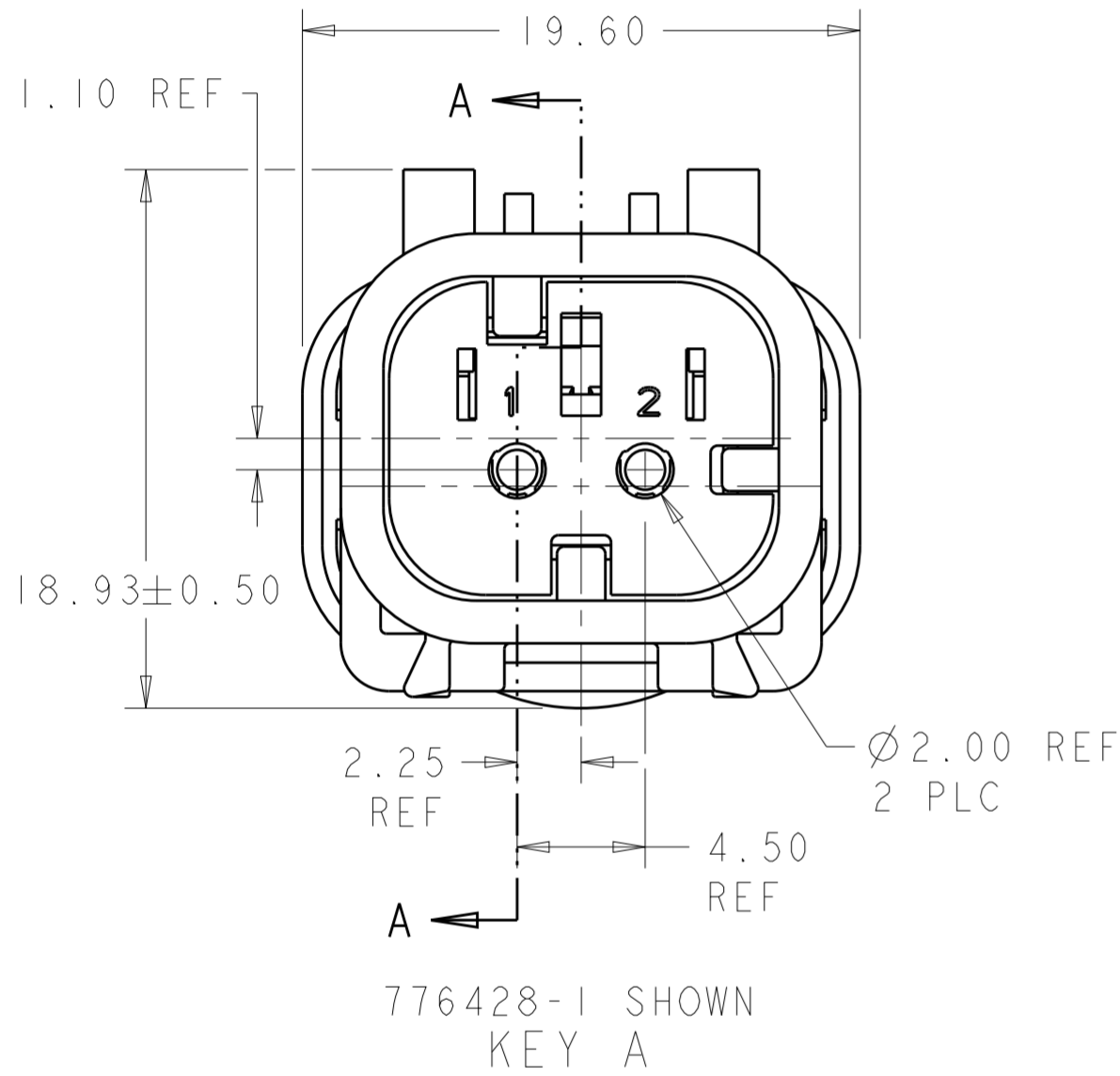
776428-2
SCALE 2:1
KEY B



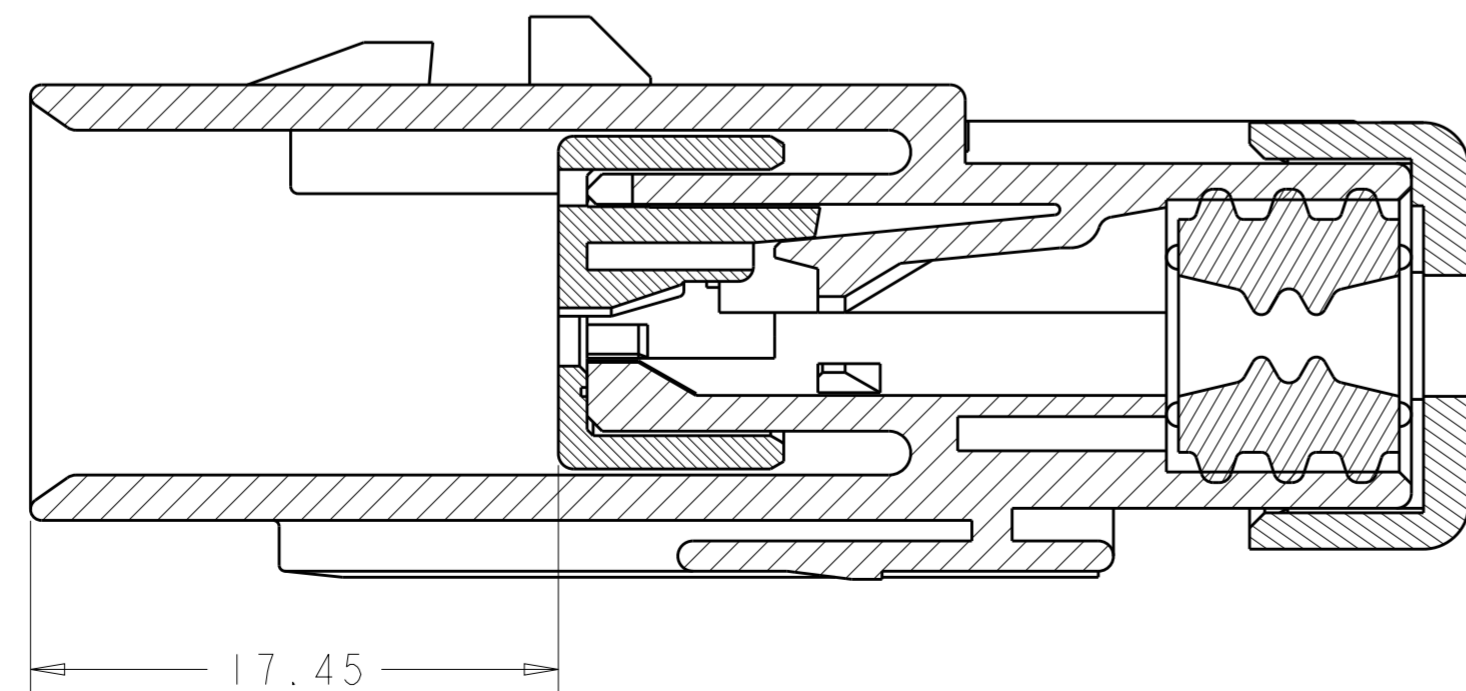
776428-3
SCALE 2:1
KEY C



776428-4
SCALE 2:1
KEY D



SECTION A-A



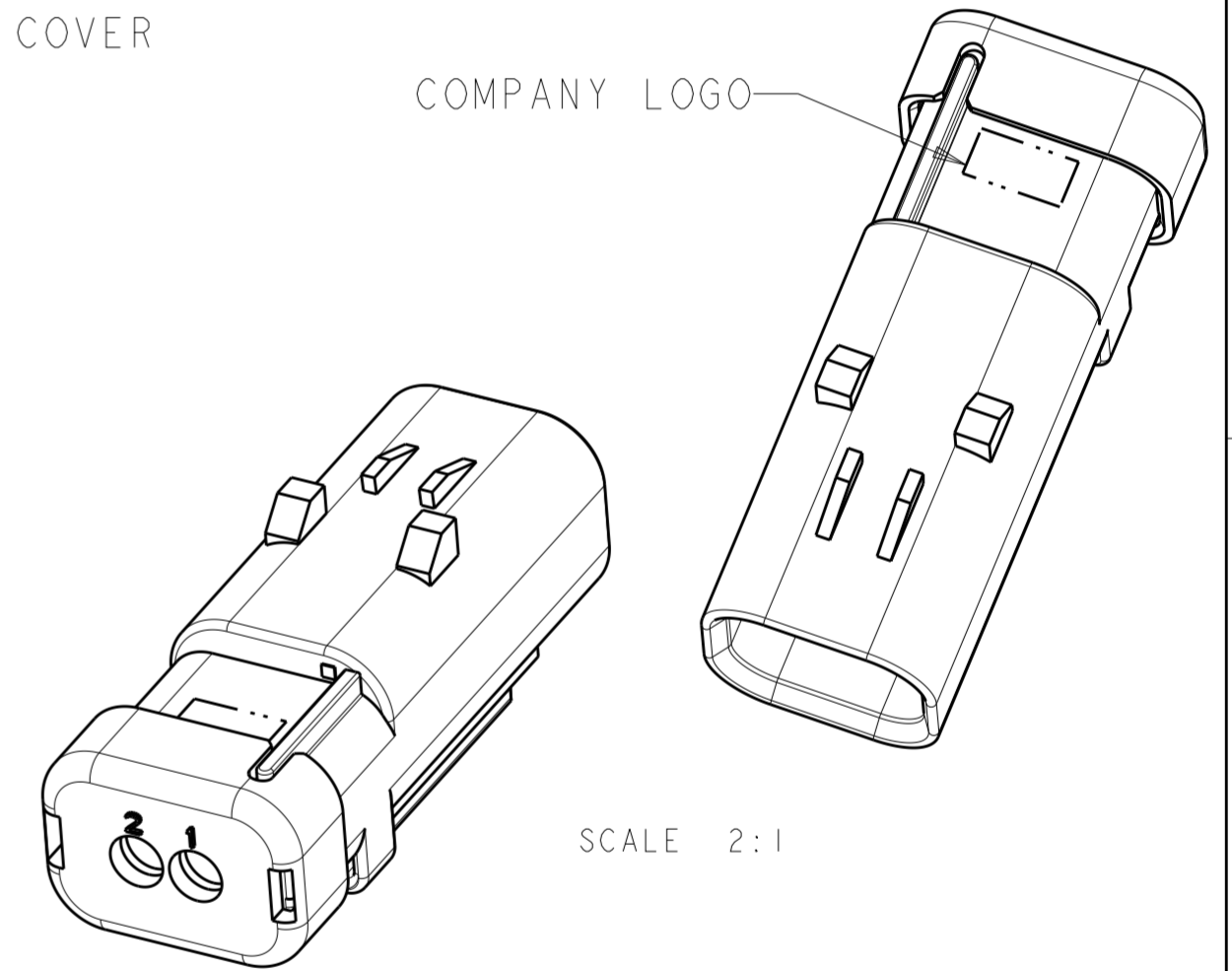
SECTION A-A
WITH TPA IN CLOSED POSITION

1 MATERIAL: 15% GLASS FILLED THERMOPLASTIC
COLOR: BLACK

2 MATERIAL: 15% GLASS FILLED THERMOPLASTIC
COLOR: (SEE TABLE)

3 MATERIAL: SILICONE
COLOR: MARINE BLUE

4. RECOMMENDED WIRE DIAMETER RANGE IS 2.18
TO 3.67mm.



GREEN	776428-4
YELLOW	776428-3
GRAY	776428-2
RED	776428-1
TPA COLOR	PART NUMBER

THIS DRAWING IS A CONTROLLED DOCUMENT.		DWN Y. PETERSON 22FEB2000	STE TE Connectivity	
DIMENSIONS: mm		CHK R. GREINER 11DEC2001	NAME CAP ASSEMBLY, 2 POSITION, SINGLE ROW, AMPSEAL 16	
TOLERANCES UNLESS OTHERWISE SPECIFIED:		APVD M. TRULLI 11DEC2001	RESTRICTED TO	
0 PLC ±	1 PLC ±	PRODUCT SPEC 108-2184	SIZE A200779	DRAWING NO C-776428
2 PLC ±	3 PLC ±	APPLICATION SPEC 114-13065	SCALE 4:1	SHEET OF
4 PLC ±	ANGLES ±	WEIGHT 9	REV E	
FINISH		Customer Drawing		

单击下面可查看定价，库存，交付和生命周期等信息

[>>TE Connectivity\(泰科\)](#)