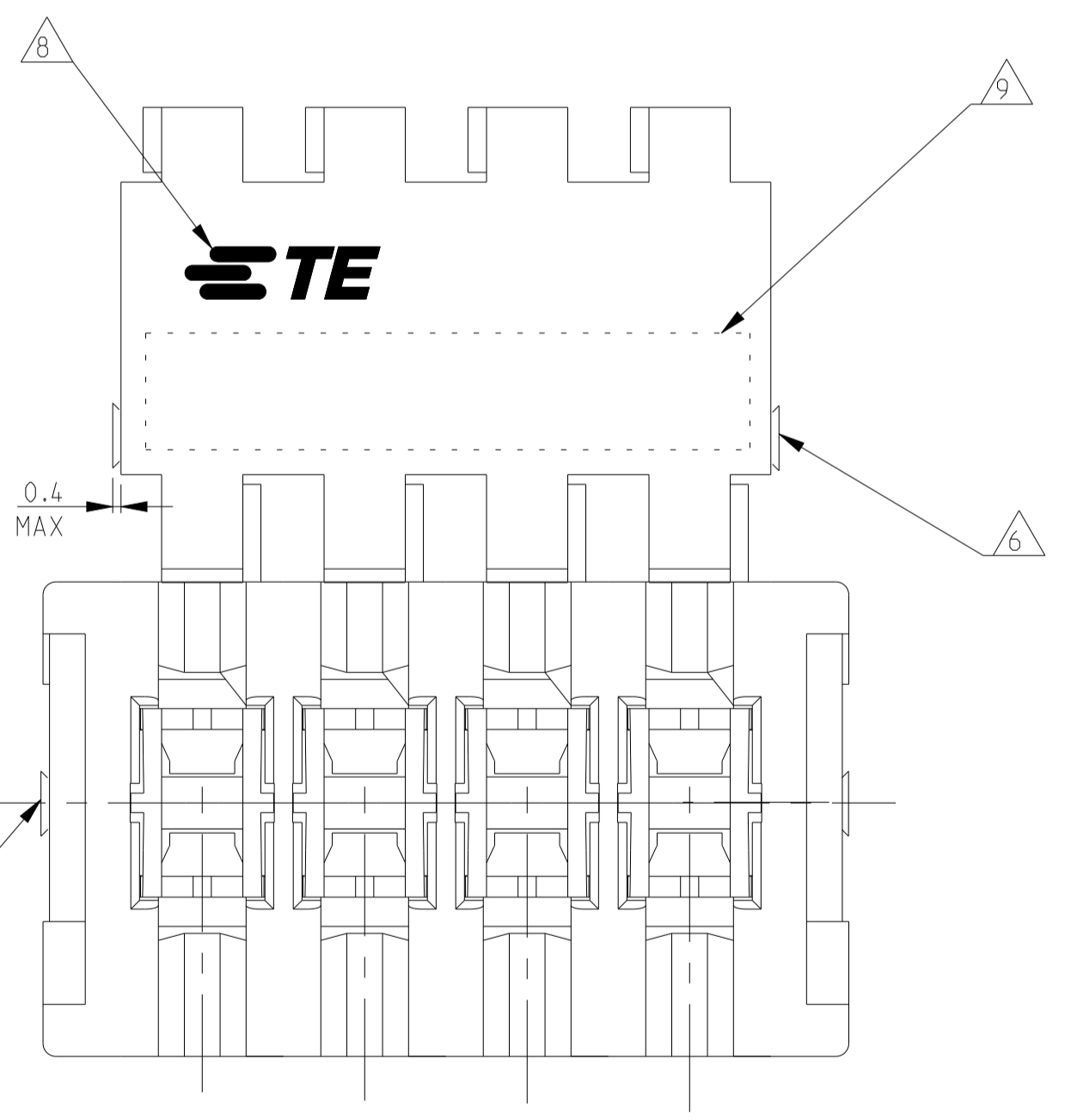
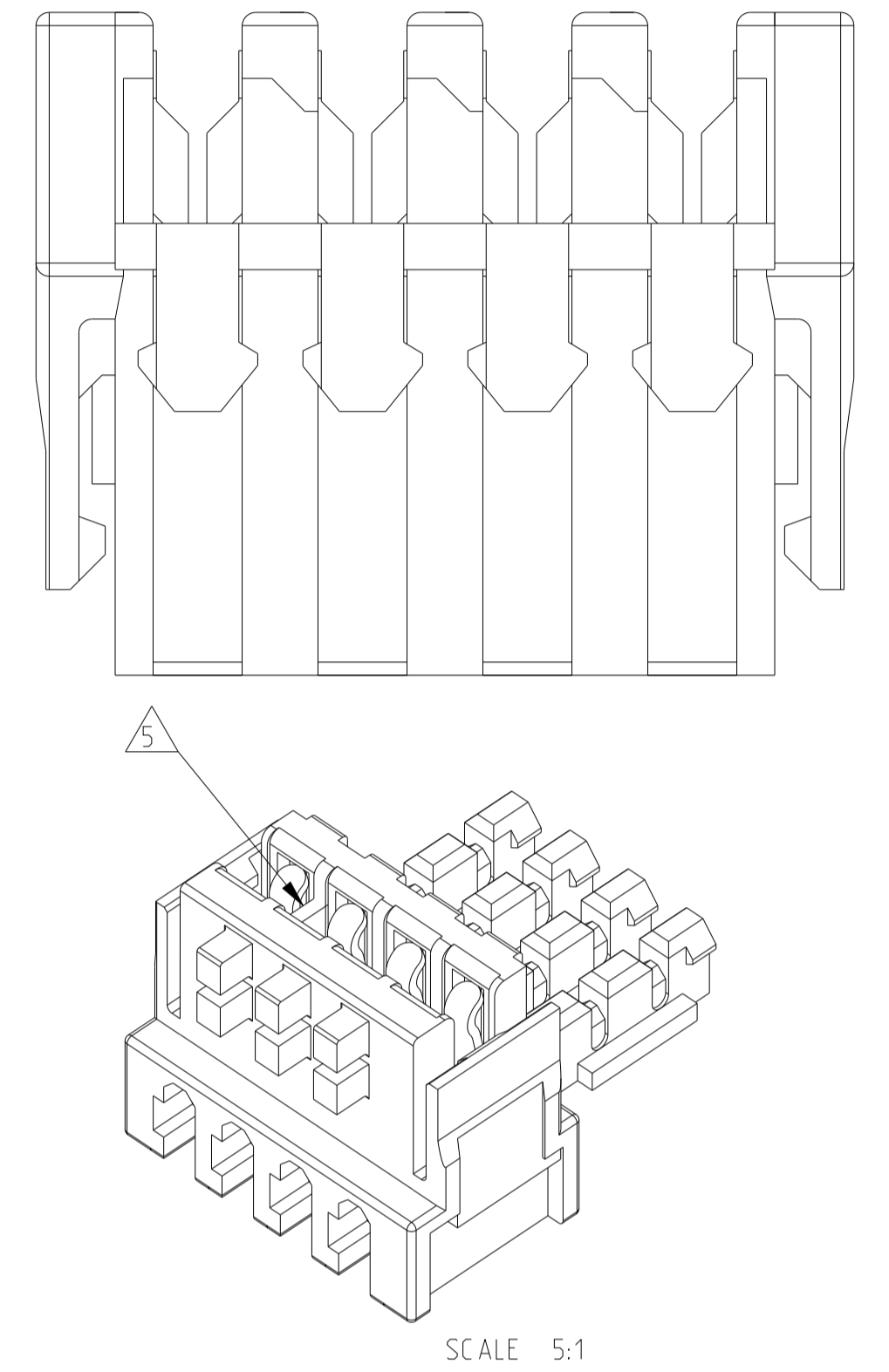
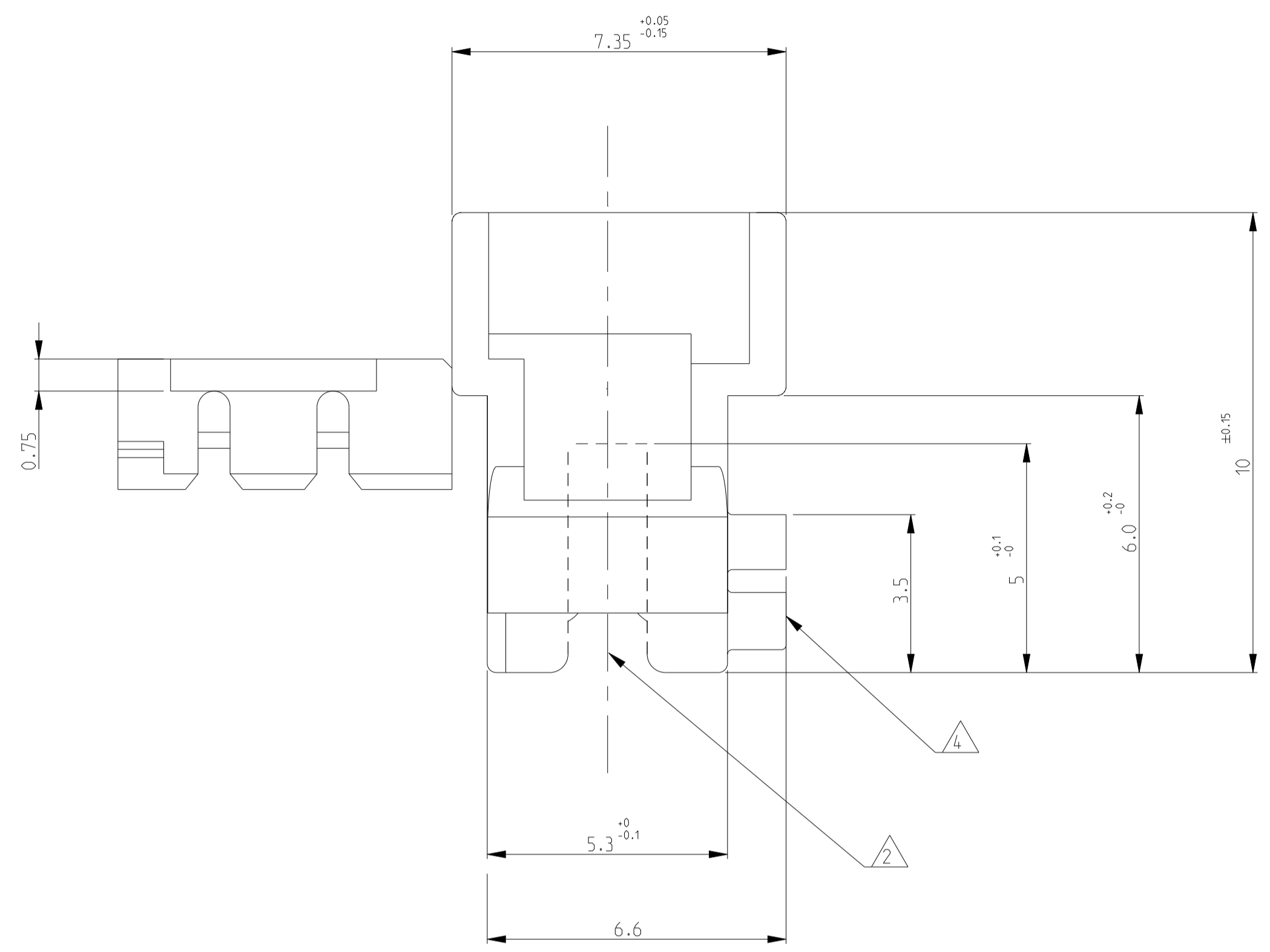
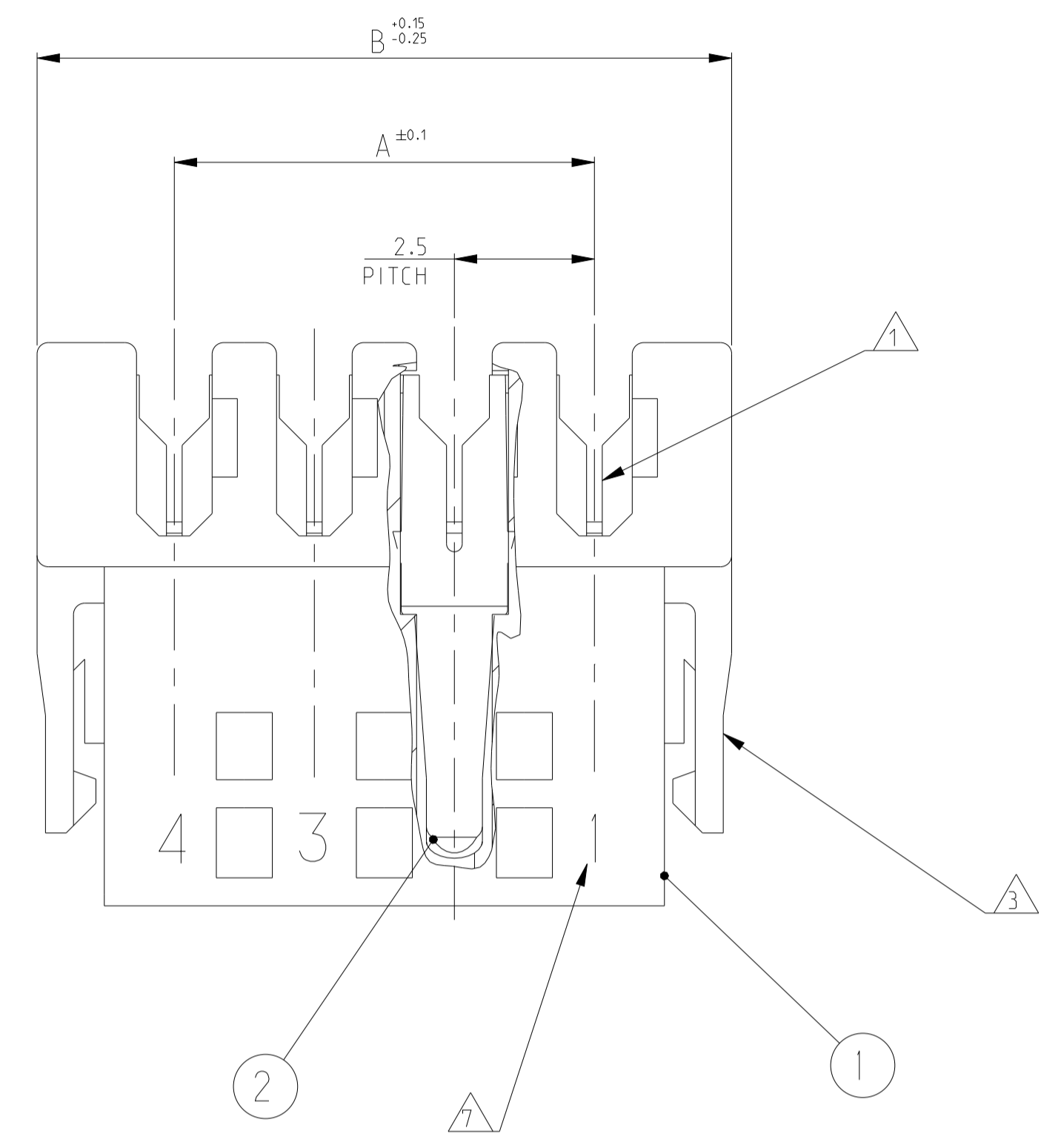


REVISONS		DATE	OWN	APVD
A22	ECR-19-004458	26MAR2019	LZ	FL
A23	ECR-19-005718	15APR2019	LZ	FL
B	ECR-19-015553	31OC12019	SM	FL
B1	ECR-21-121338	23NOV2021	DC	FL



- 1 WIRE RANGE : STRANDED 0.22-0.35 mm² (INS. DIA. 1.30±0.1)
- 2 MATING PART: P.C.B. EDGE, DOUBLE SIDE, THK 1.5 (COPPER CLADDING INCLUDED)
- 3 SIDE LOCKING DEVICE
- 4 KEYING RIBS TO BE REMOVED BY TERMINATION MACHINE
- 5 POLARIZATION RIBS BETWEEN CAVITIES
- 6 CUT OFF DIMENSION DUE TO PRODUCTION PROCESS
- 7 CIRCUIT No. IDENTIFICATION
- 8 TE TRADEMARK (OPTIONAL POSITION)
- 9 TAMPOGRAPHIC COLOUR CODE AREA (P/Ns IDENTIFICATION BEFORE CRIMPING AREA)
- 10 FOR PCB LAYOUT, SEE PAGES 2-3
FOR CONNECTION VIEW LAYOUT, SEE PAGE 3
- 11 PRELIMINARY PART, NOT YET RELEASED FOR PRODUCTION
- 12 NOT DEFINED DURING PRELIMINARY STATUS
- 13 PBT GF
- 14 PBT GF, UL94-V0 & GWEPT 750 NO-FLAME, NATURAL
- 15 ALTERNATIVE RESIN PBT GF

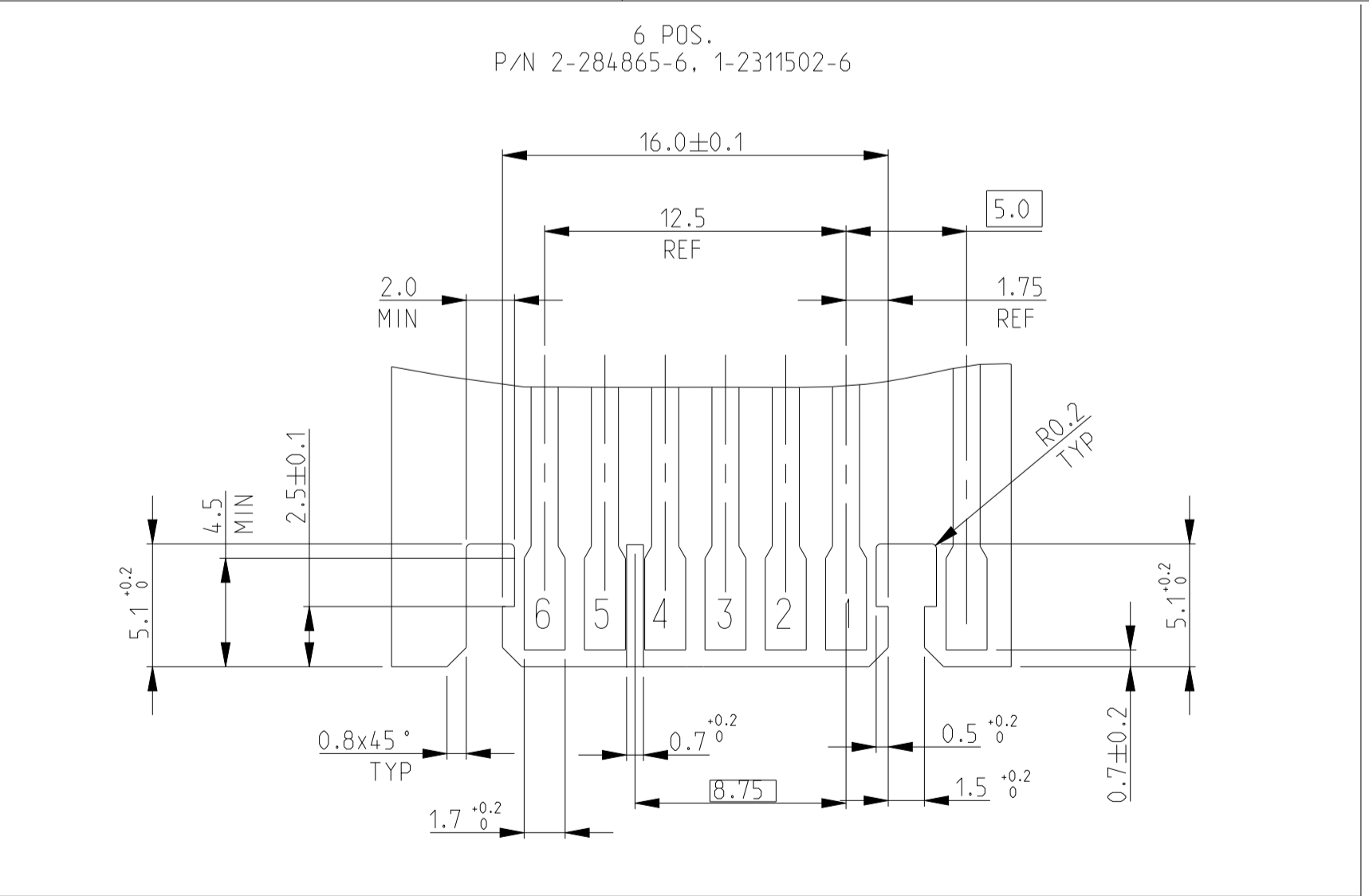
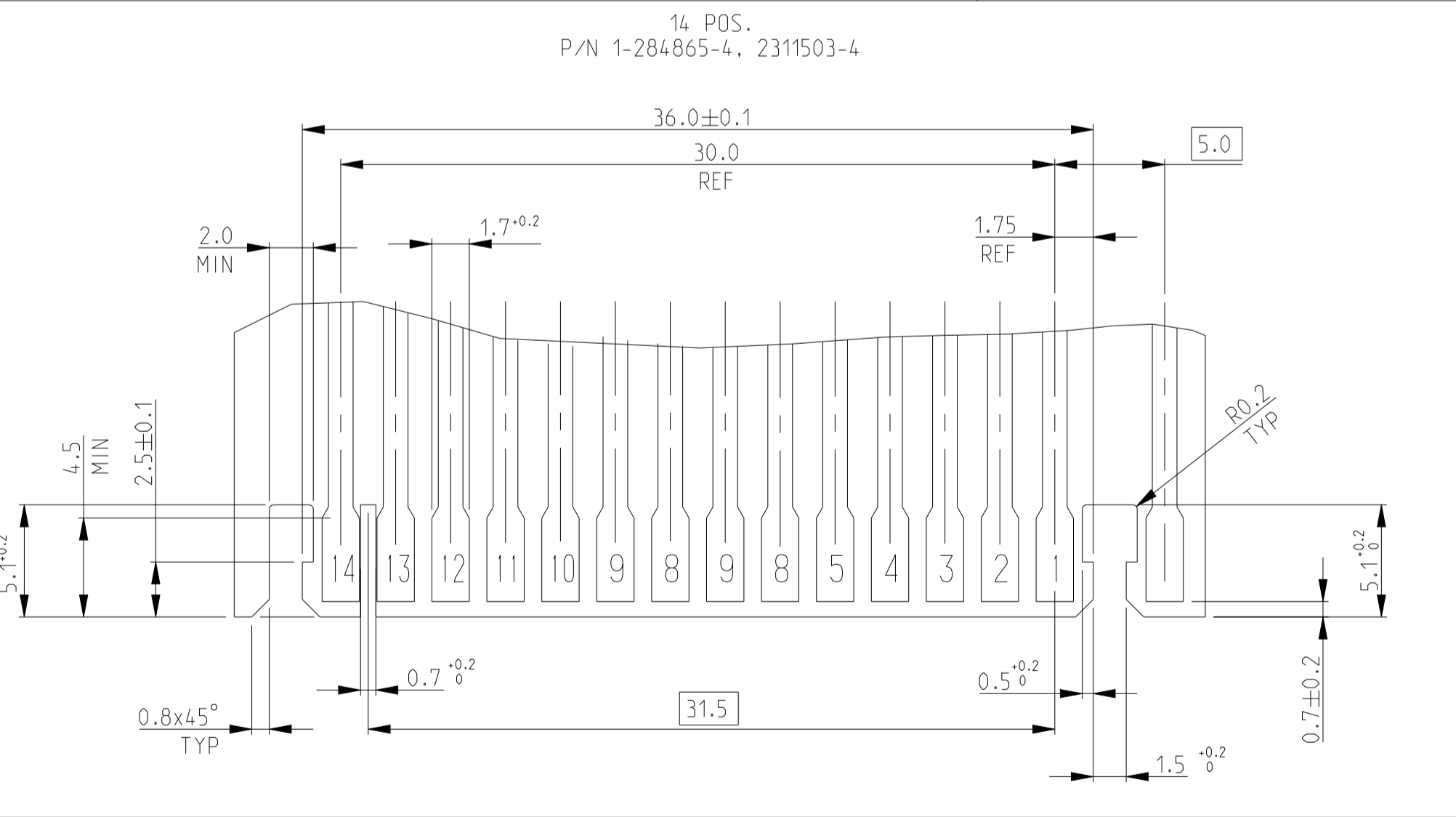
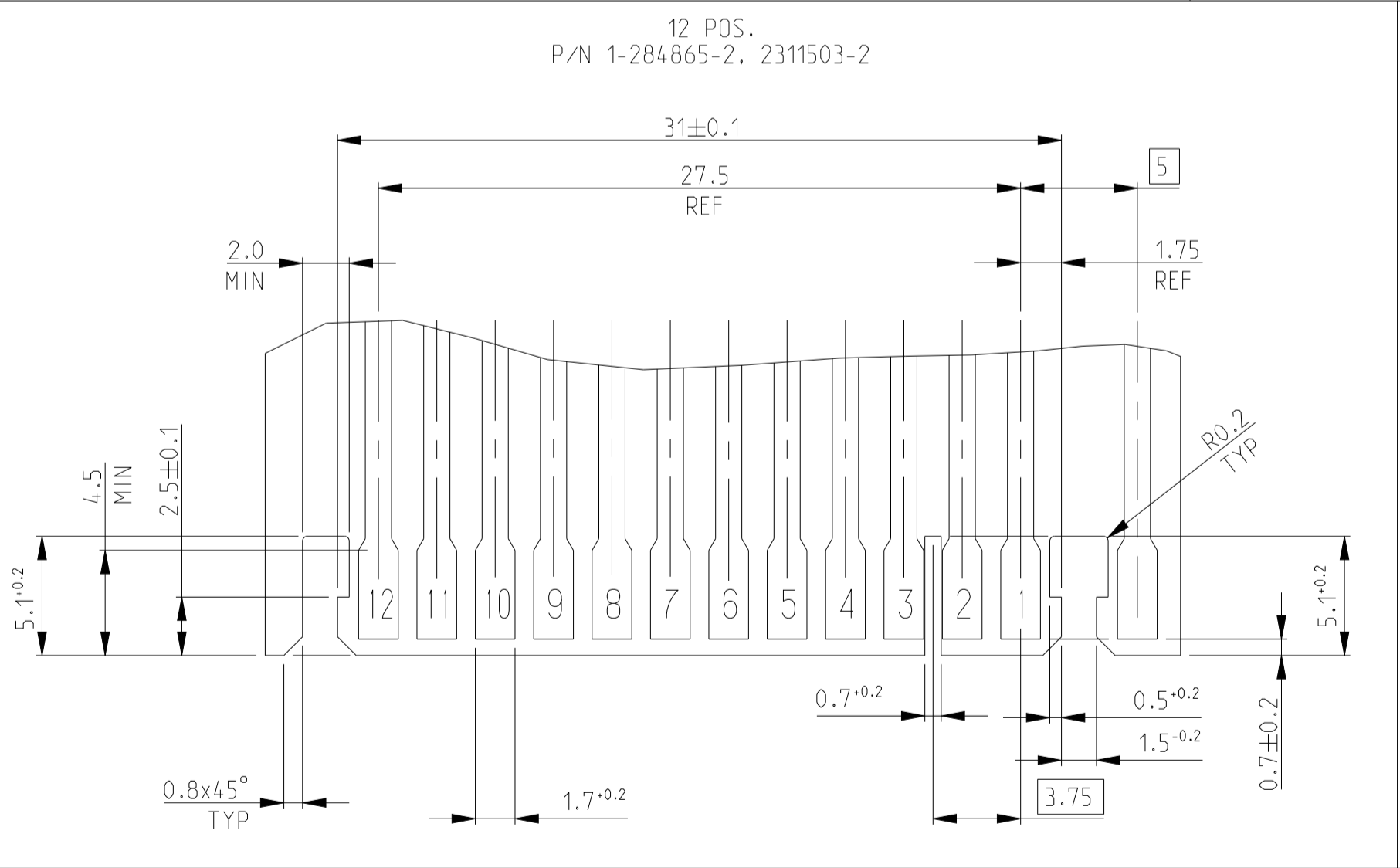
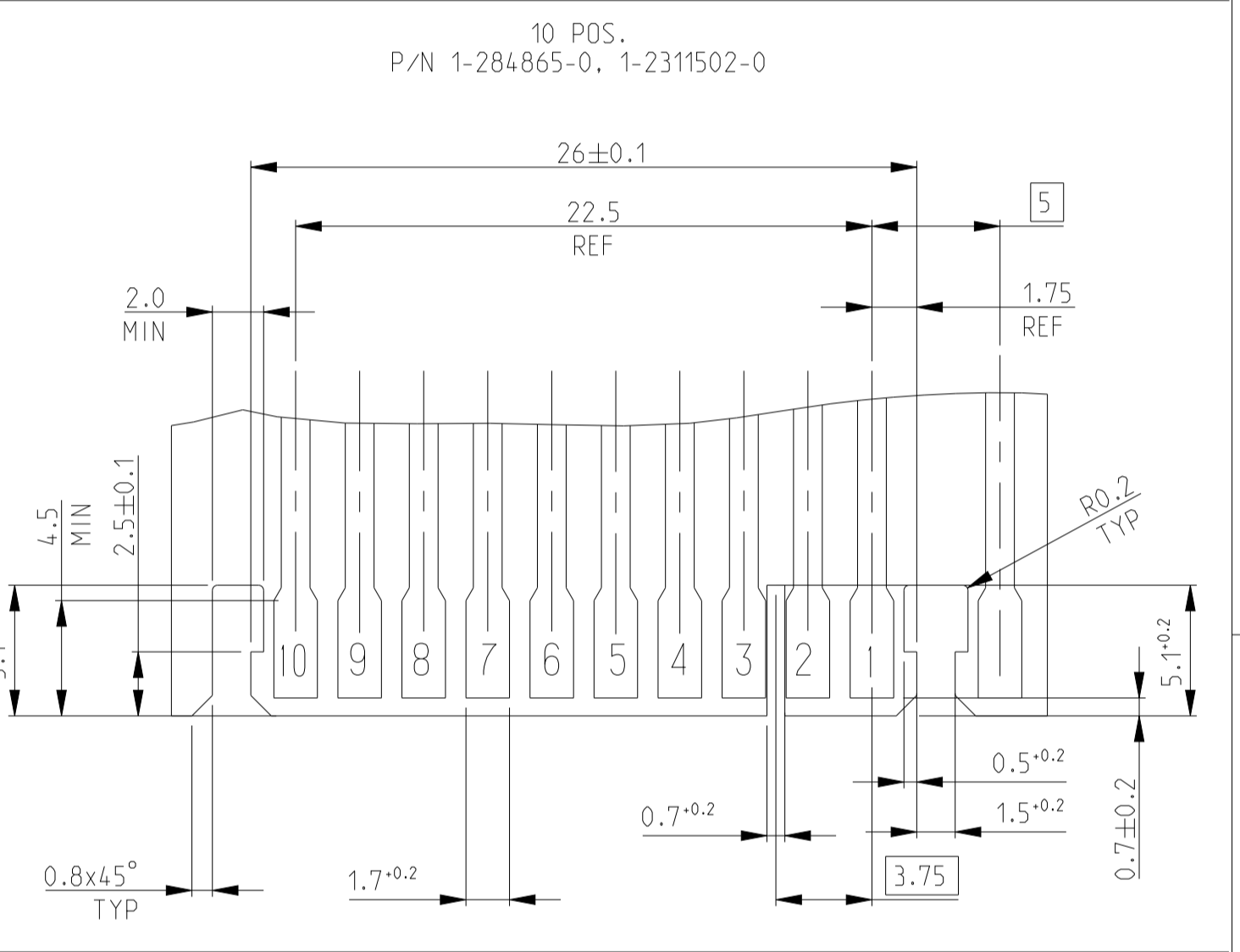
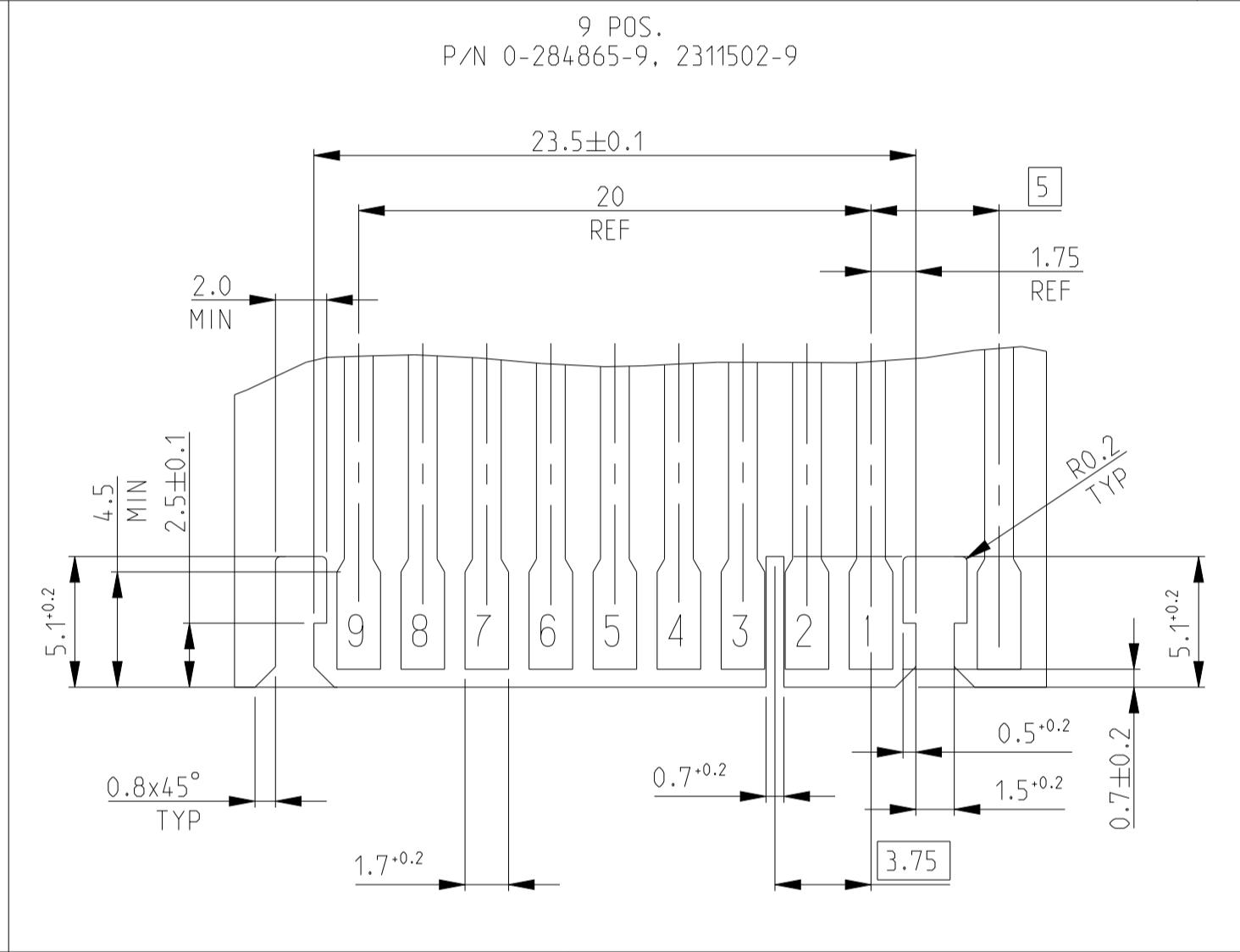
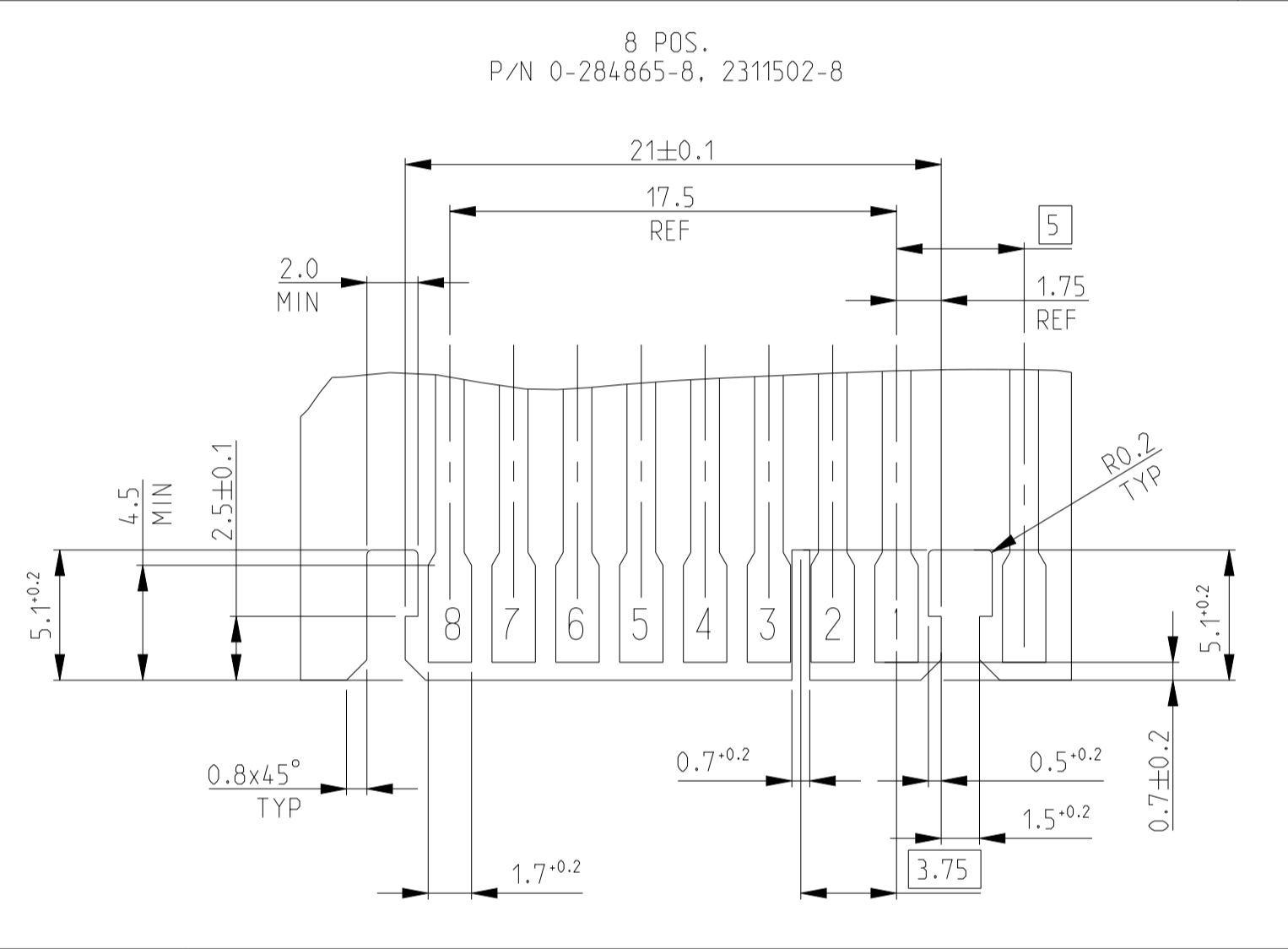
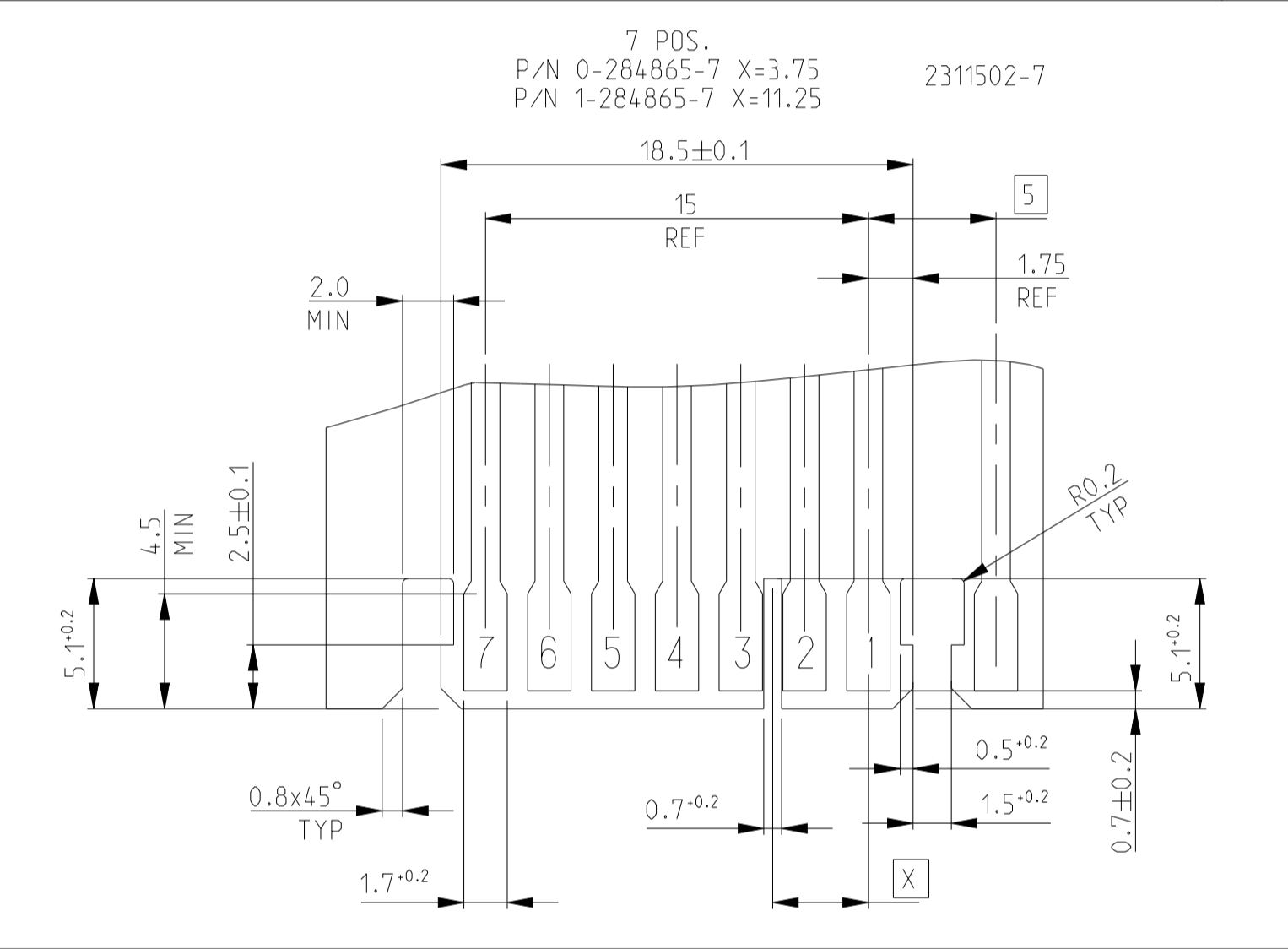
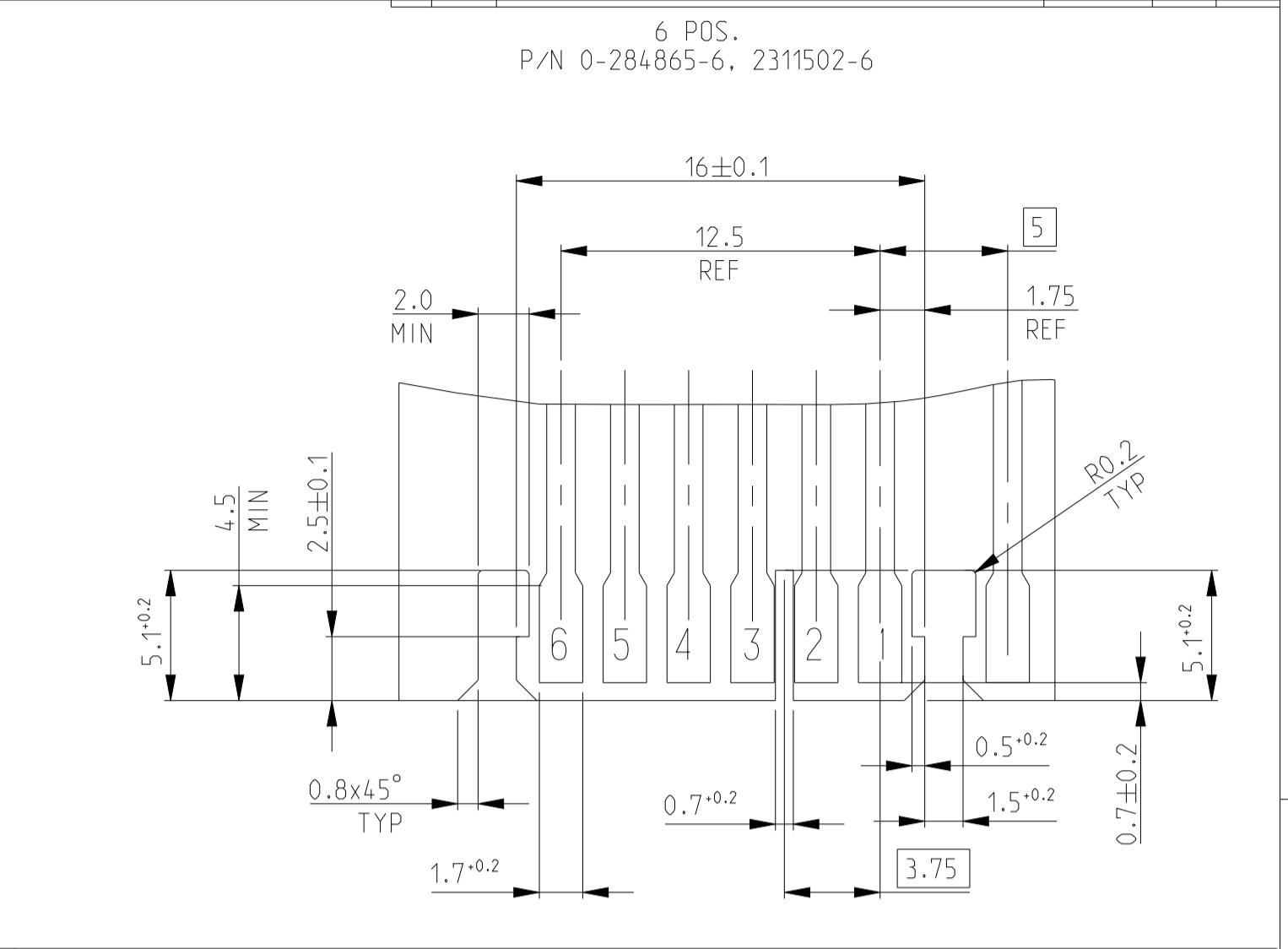
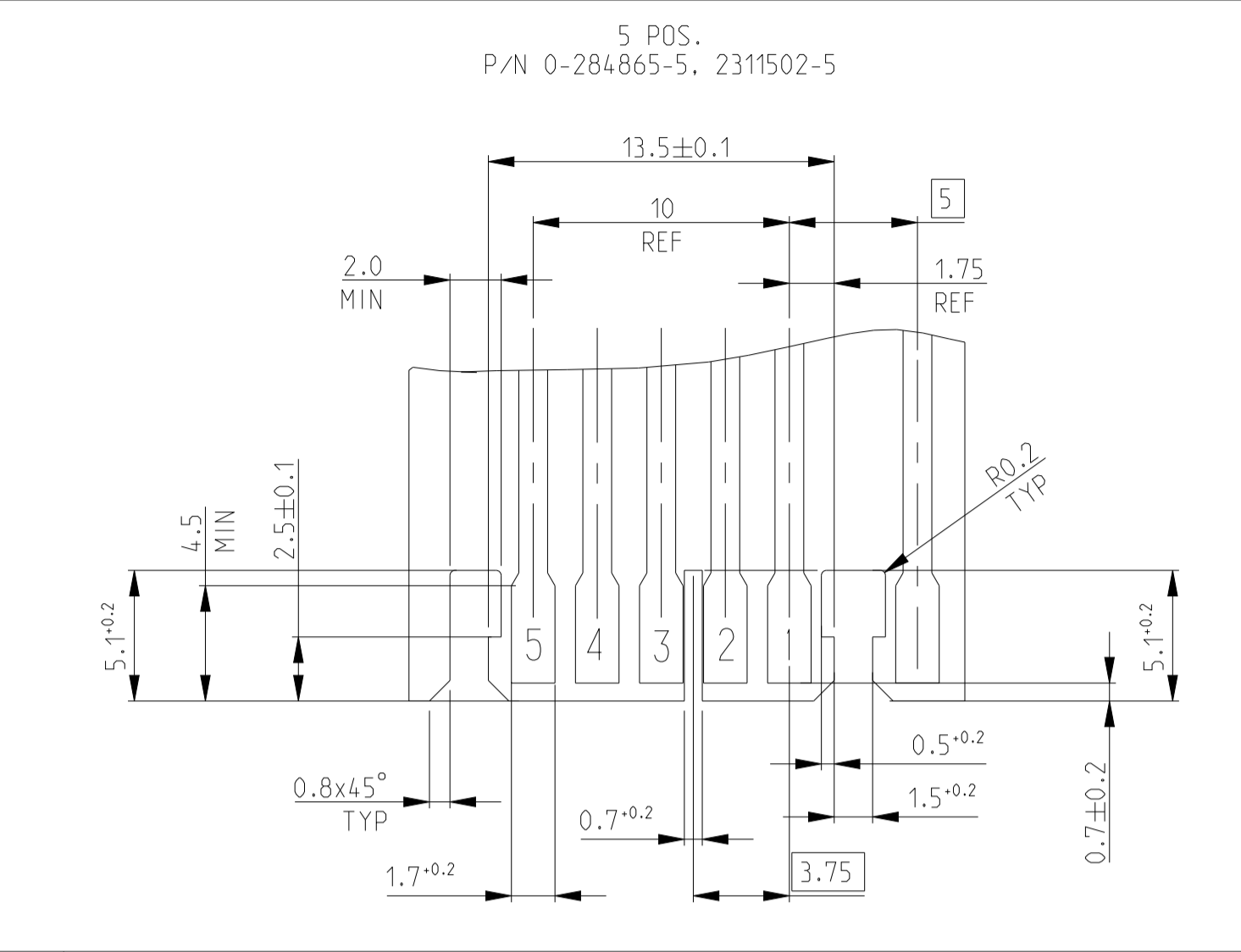
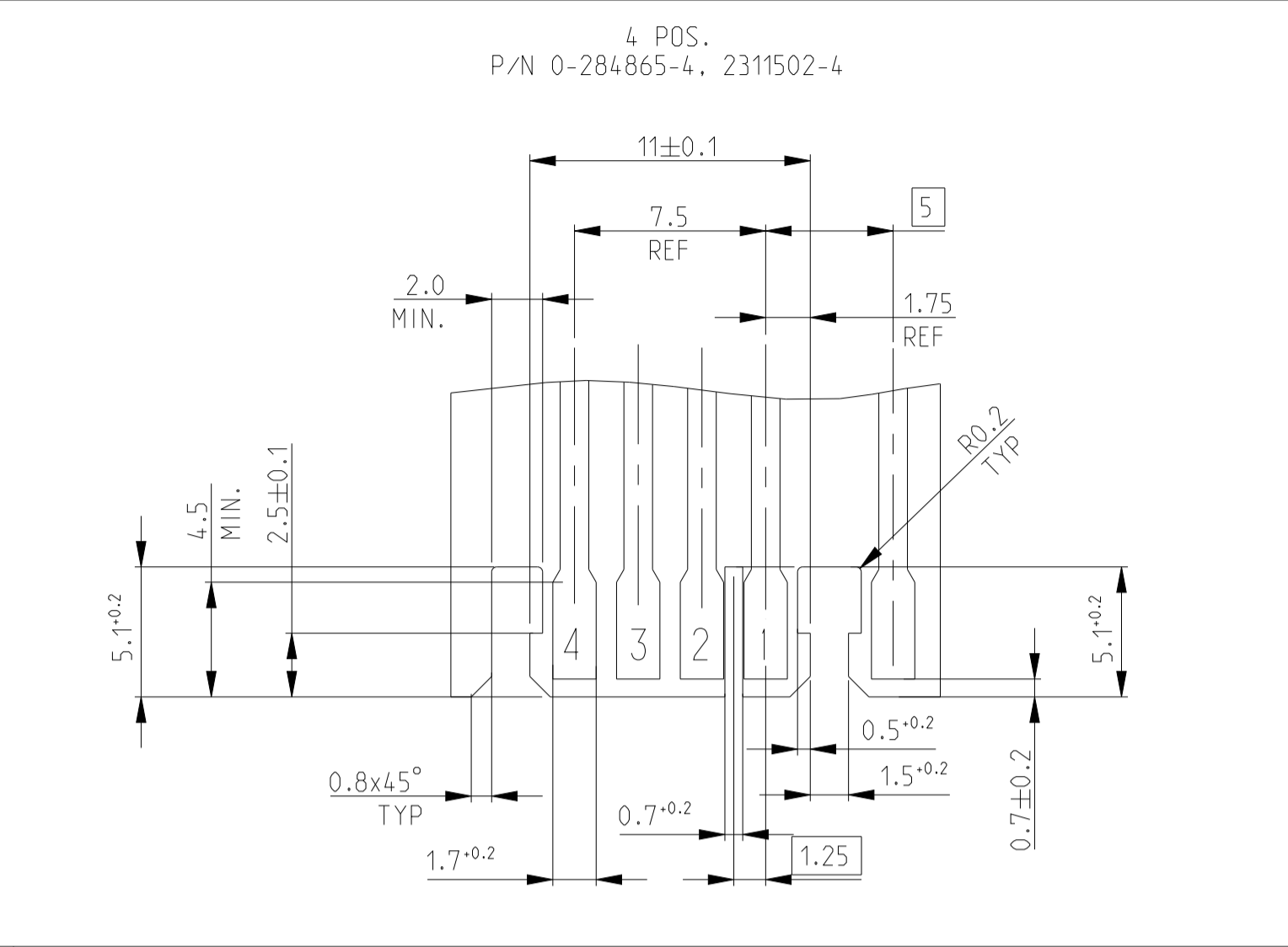
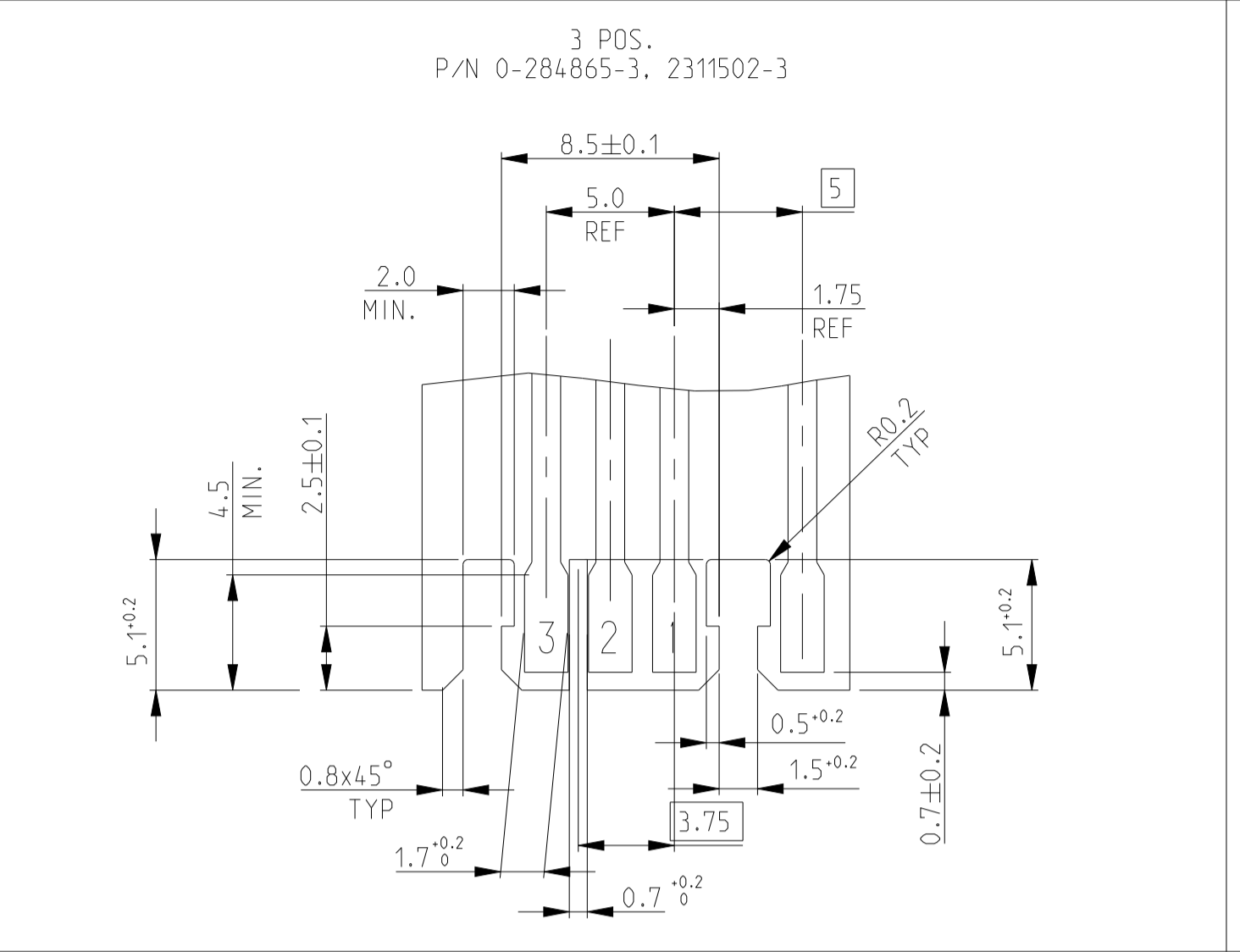
COLOUR CODE	POLARIZ. RIB POS.	HSG POS.	DIM.A	DIM.B	TE P/N	TE P/N	TE P/N
BLACK	13/14	14	32.5	37.4	1-284865-4	2311503-4	1-2402731-4
RED	11/12	12	27.5	32.4	2-284865-2	1-2311503-2	2-2402731-2
BLACK	2/3				1-284865-2	2311503-2	1-2402731-2
RED	9/10	10	22.5	27.4	2-284865-0	2-2311502-0	2-2402731-0
BLACK	2/3				1-284865-0	1-2311502-0	1-2402731-0
BLACK	2/3	9	20.0	24.9	0-284865-9	2311502-9	2402731-9
RED	3/4	8	17.5	22.4	2-284865-8	1-2311502-8	2-2402731-8
BLACK	2/3				0-284865-8	2311502-8	2402731-8
-	5/6				1-284865-7		1-2402731-7
BLACK	2/3	7	15.0	19.9	0-284865-7	2311502-7	2402731-7
-	3/4				5-284865-6	4-2311502-6	5-2402731-6
ORANGE	5/6				4-284865-6	3-2311502-6	4-2402731-6
OBSOLETE	BLUE	1/2	6	12.5	3-284865-6	-	-
RED	4/5				2-284865-6	1-2311502-6	2-2402731-6
BLACK	2/3				0-284865-6	2311502-6	2402731-6
GREY	1/2				3-284865-5	2-2311502-5	3-2402731-5
RED	3/4	5	10.0	14.9	2-284865-5	1-2311502-5	2-2402731-5
BLACK	2/3				0-284865-5	2311502-5	2402731-5
RED	3/4				3-284865-4	1-2311502-4	3-2402731-4
OBSOLETE	RED	N/A			2-284865-4	-	-
BLACK	1/2	4	7.5	12.4	0-284865-4	2311502-4	2402731-4
RED	1/2	3	5.0	9.9	2-284865-3	1-2311502-3	2-2402731-3
BLACK	2/3				0-284865-3	2311502-3	2402731-3

P/N 0-284865-4 AS SHOWN

-		-		THIS DRAWING IS A CONTROLLED DOCUMENT.		OWN R. FABRIS 03JUL2002	
SEE TABLE	PH. BRONZE, TIN PLATED	IDC RECEPTACLE CONTACT	2	DIMENSIONS: mm	TOLERANCES UNLESS OTHERWISE SPECIFIED:	APVD: G. TURCO	
Q.TY	MATERIAL	DESCRIPTION	ITEM	0 PLC ±0.2 1 PLC ±0.2 2 PLC ±0.2 3 PLC ±0.2 4 PLC ±0.2 ANGLES ±1° FINISH SEE TABLE		NAME: DUOPLUG 2.5 FEMALE CONN., SIDE LOCKING KEYED (FULLY LOADED)	
1	REVISIONE DELL'ASSEMBLATO (REVISION OF EACH ASSY NO)			MATERIAL: SEE TABLE		SIZE: 116-18049-1	
ELENCO DEI COMPONENTI (PARTS LIST)				SEE TABLE		WEIGHT: -	
Customer Drawing		SCALE 10:1		SHEET 1 OF 4		REV B1	

PCB LAYOUT -Soldering side-
 (SCALE 4:1)

LOC		DIST		REVISIONS			
P	LTN	DESCRIPTION	DATE	OWN	APVD		
-	-	SEE SHEET 1	-	-	-		



THIS DRAWING IS A CONTROLLED DOCUMENT. OWN R. FABRIS 03JUL2002
 CHK -

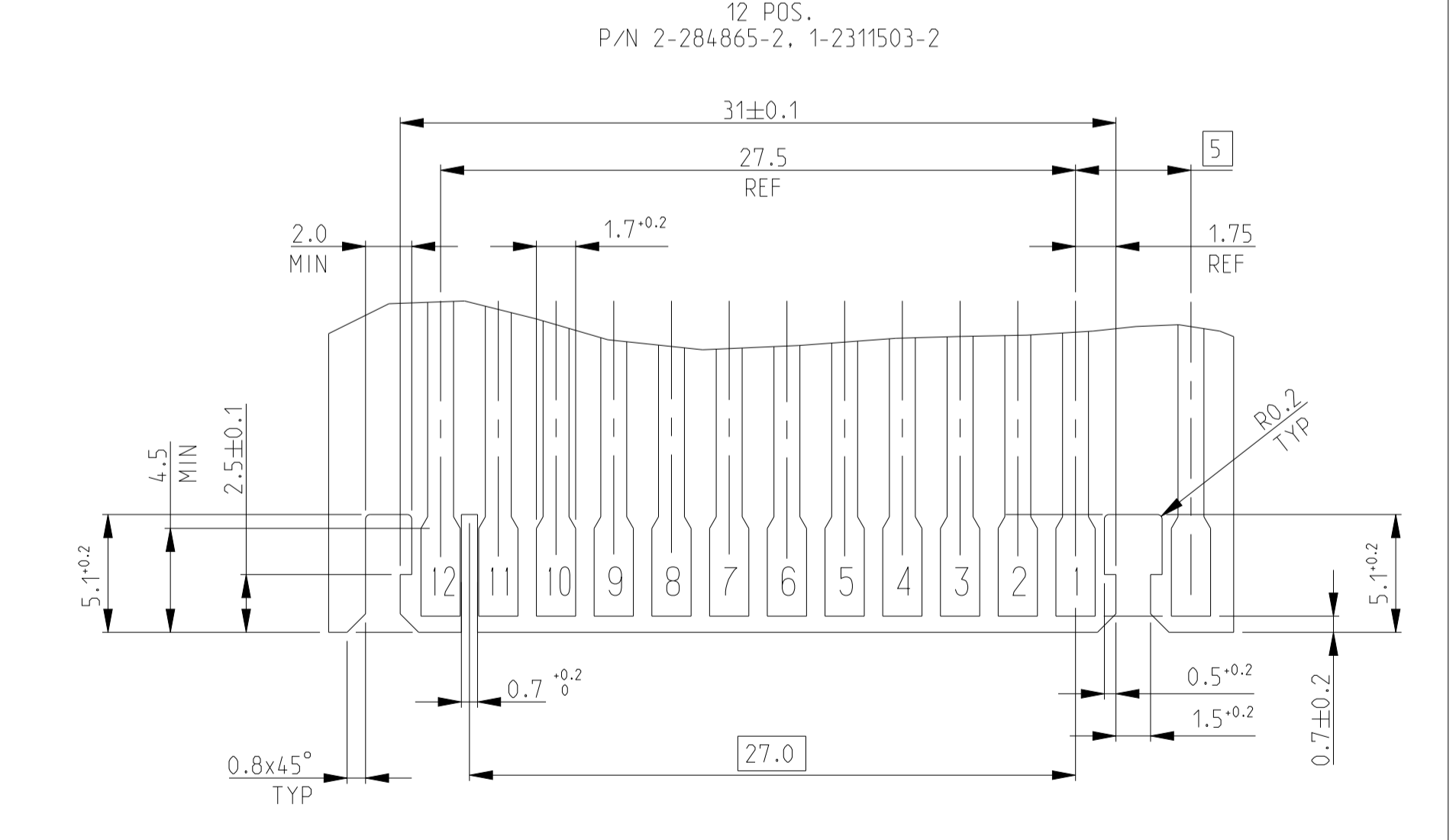
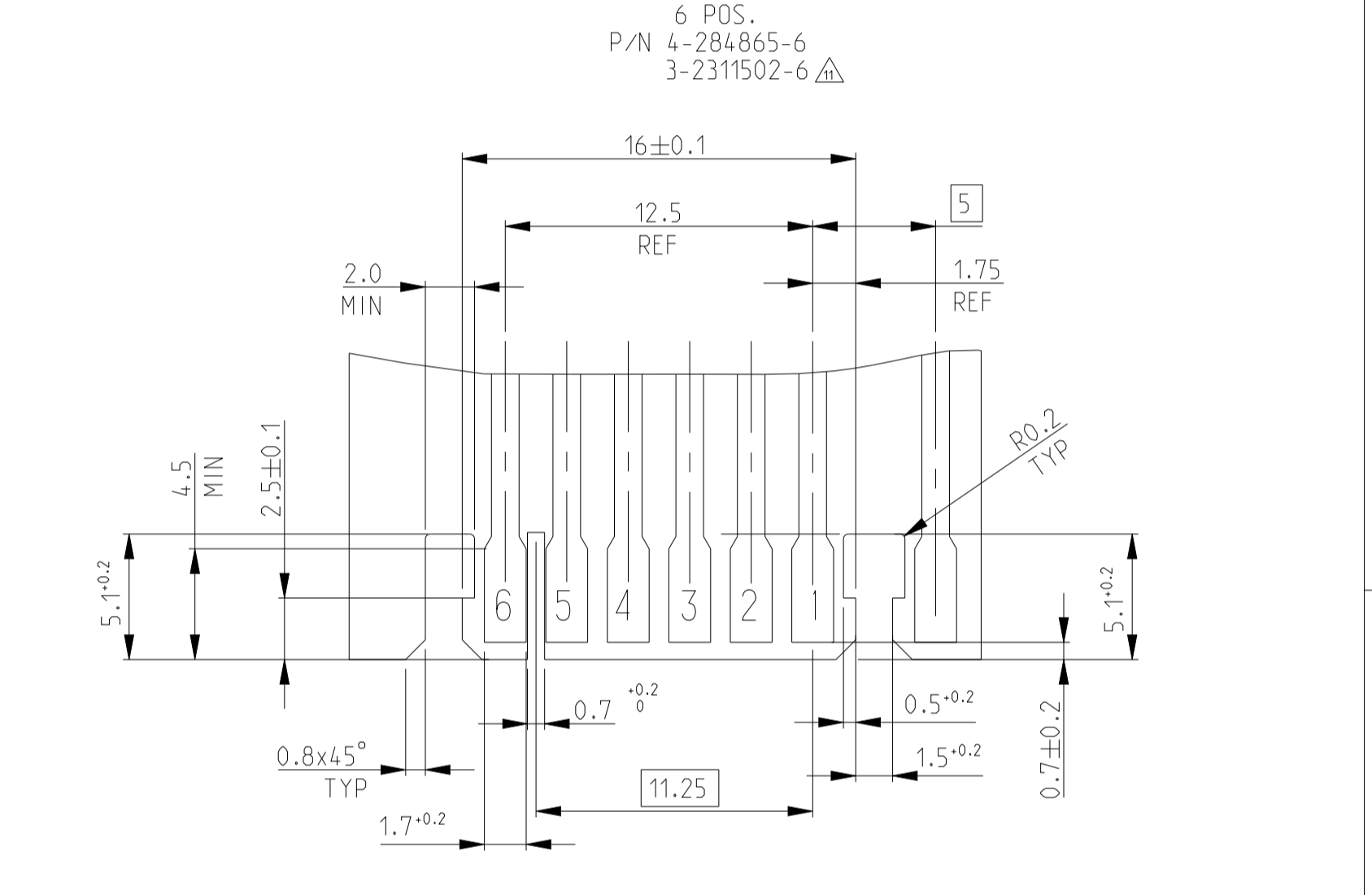
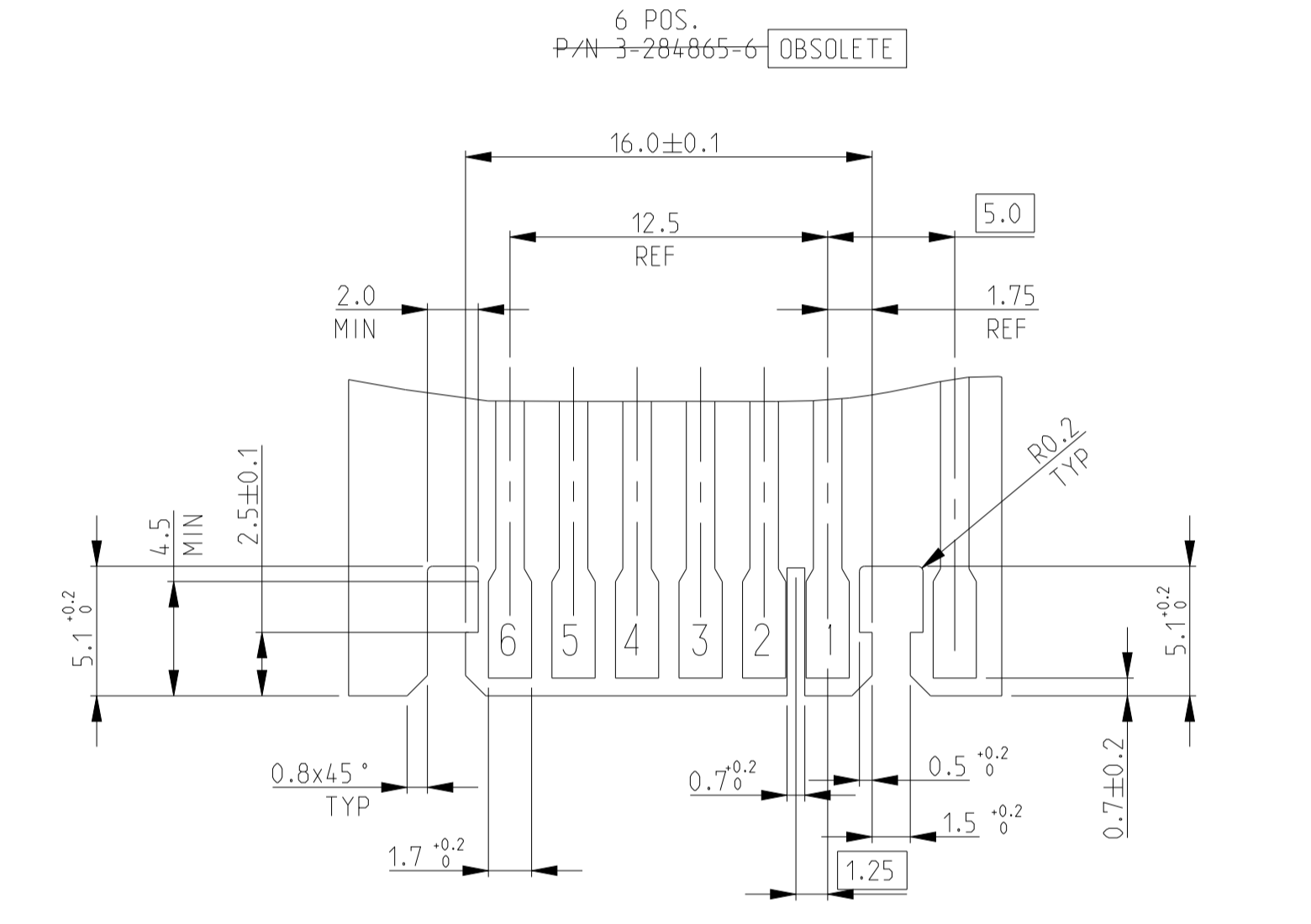
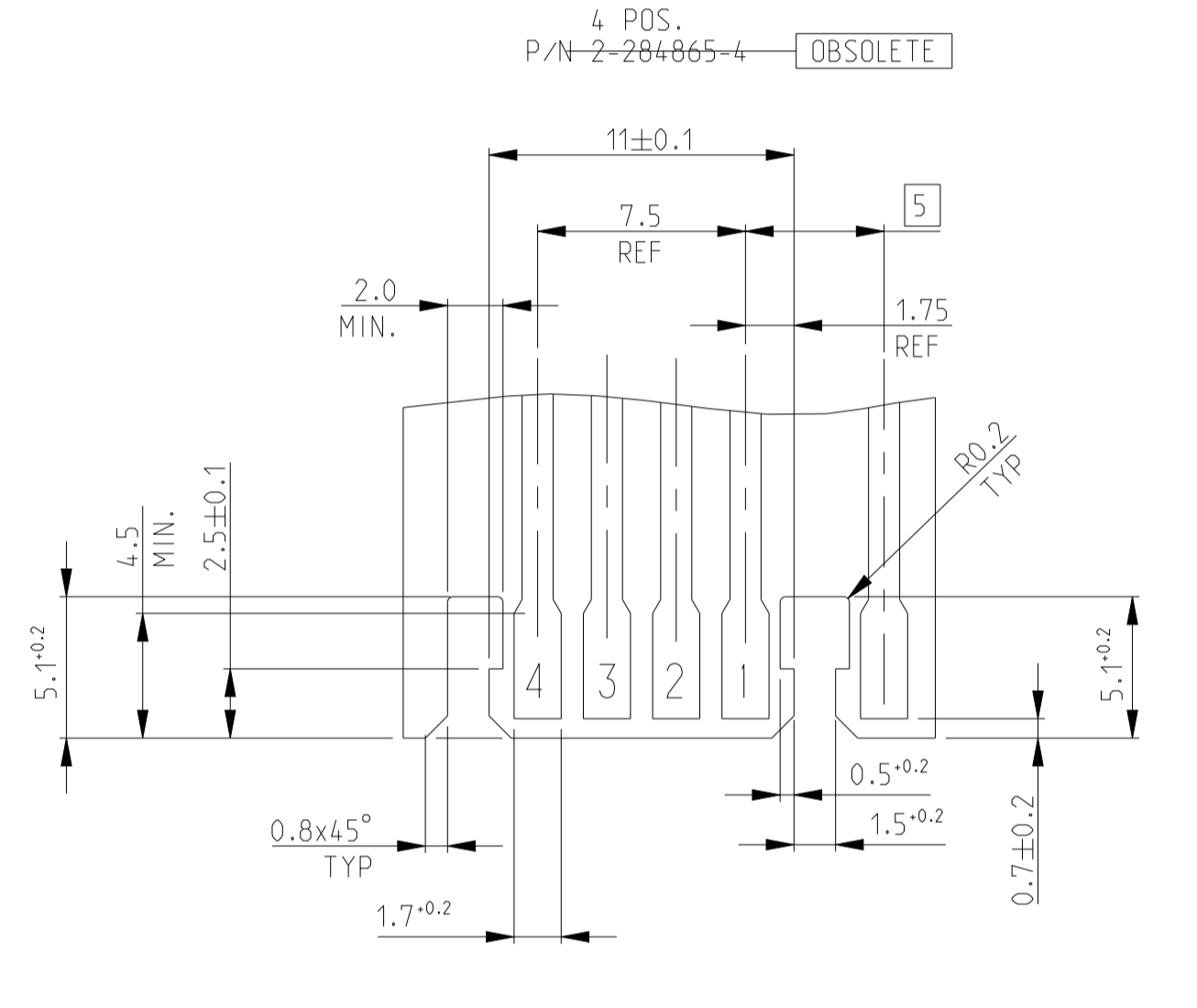
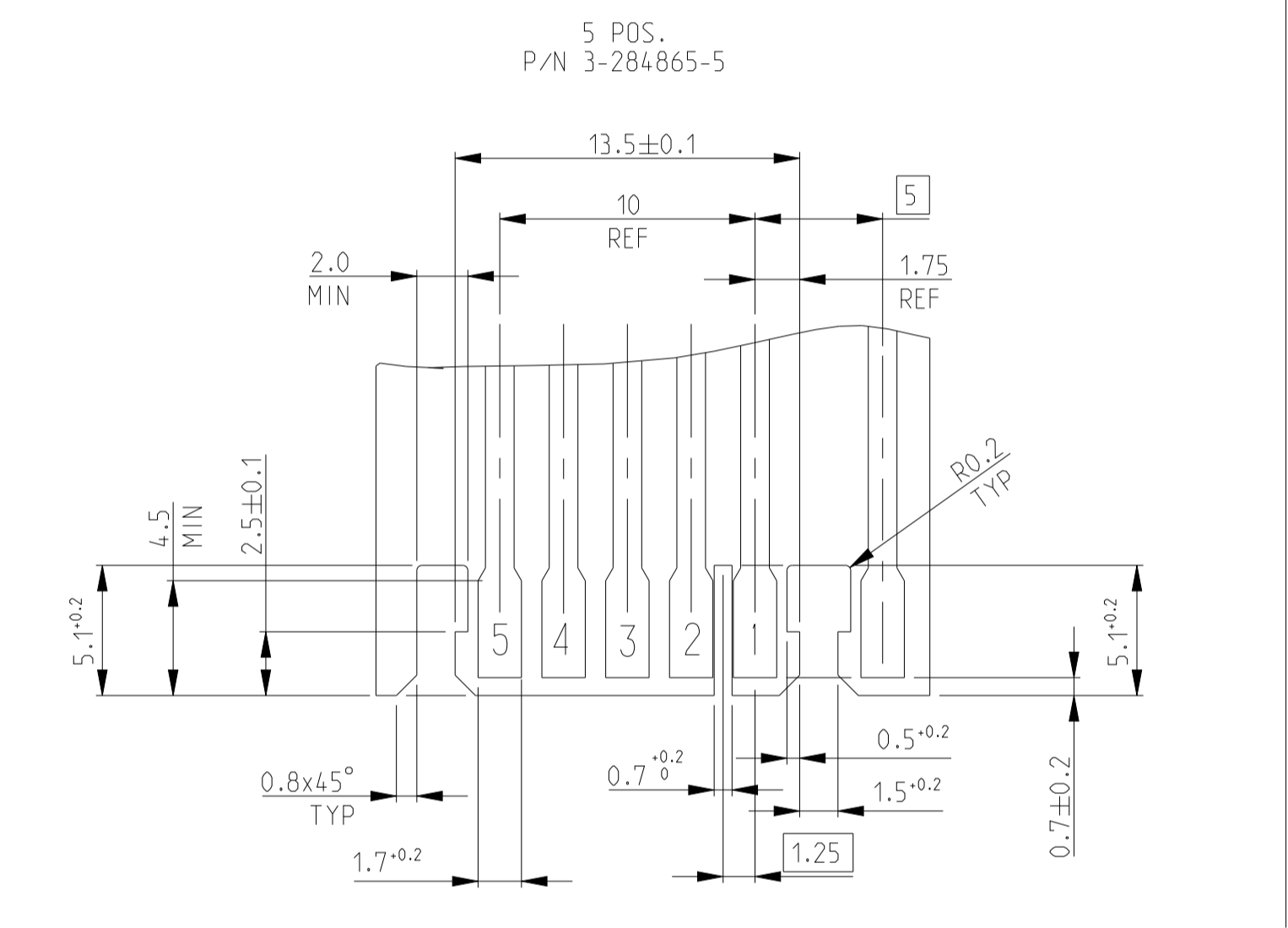
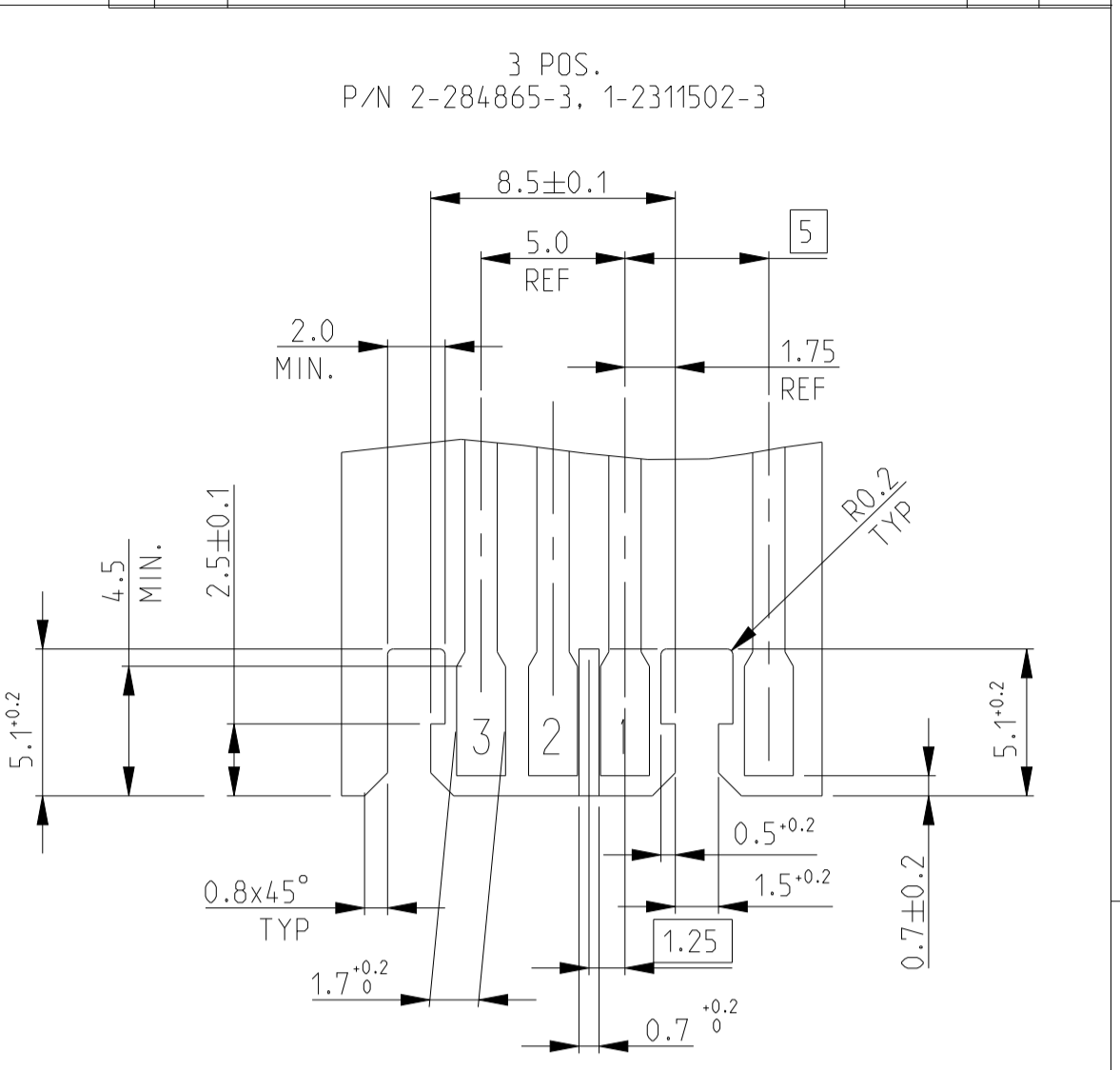
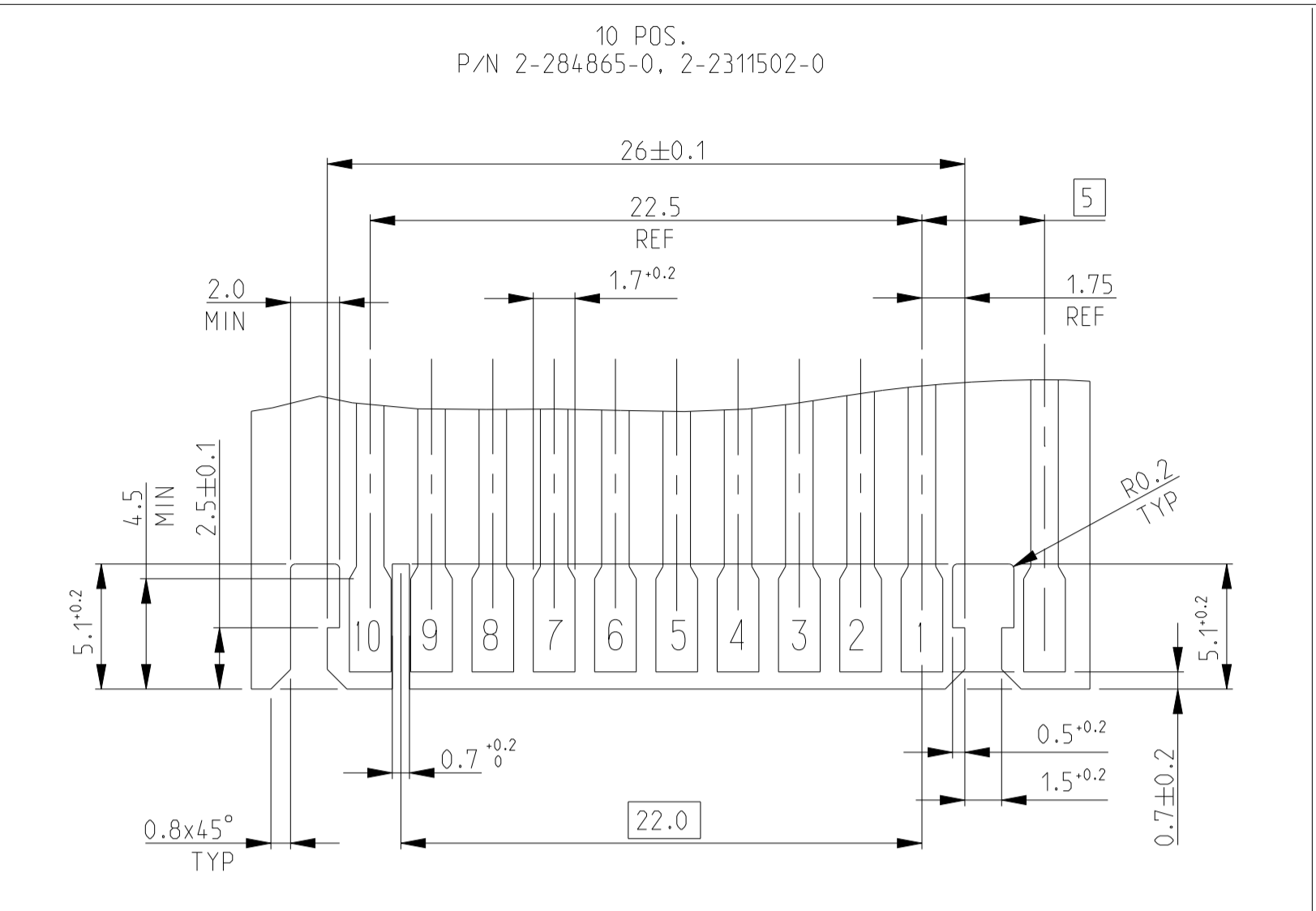
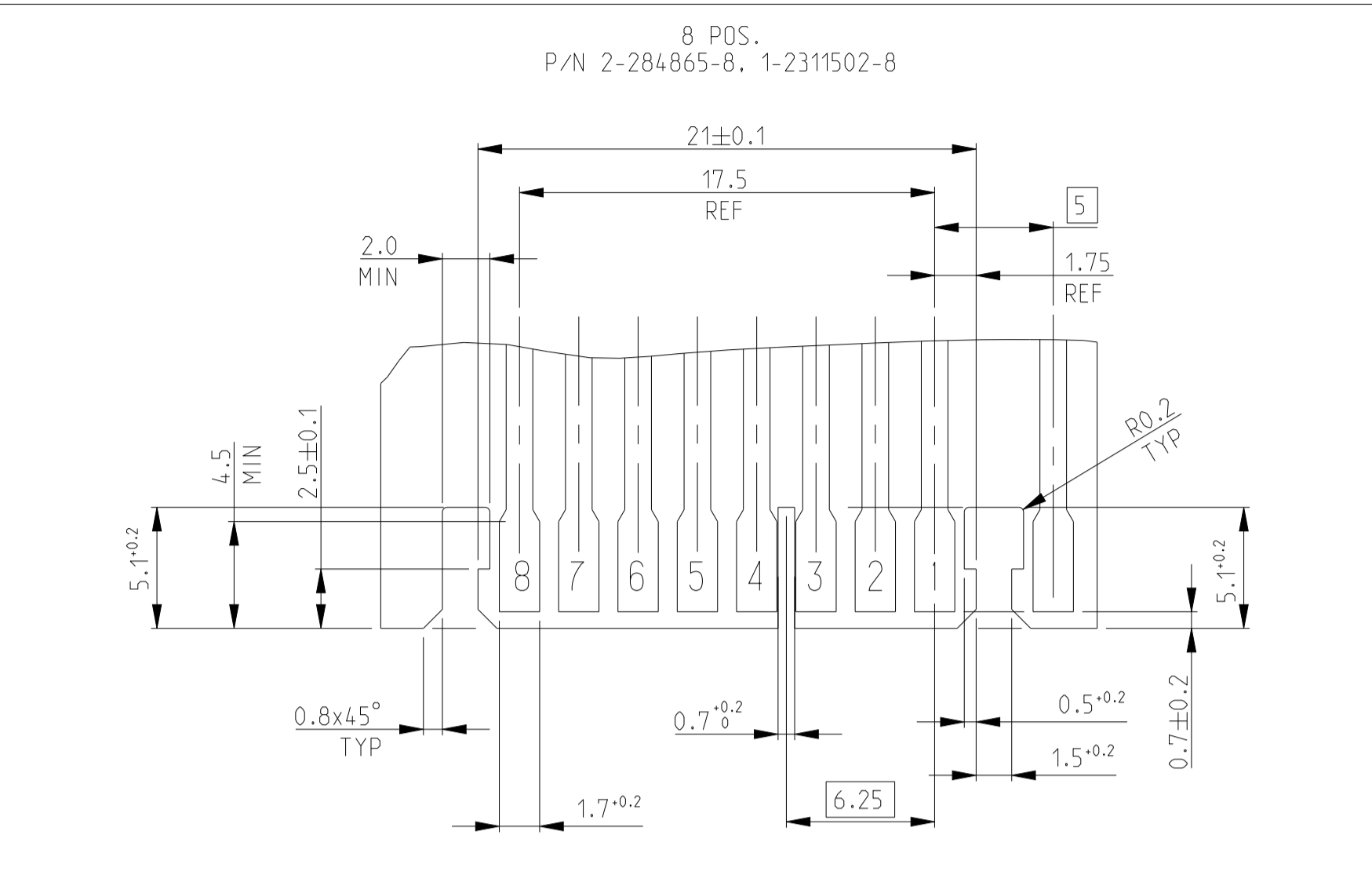
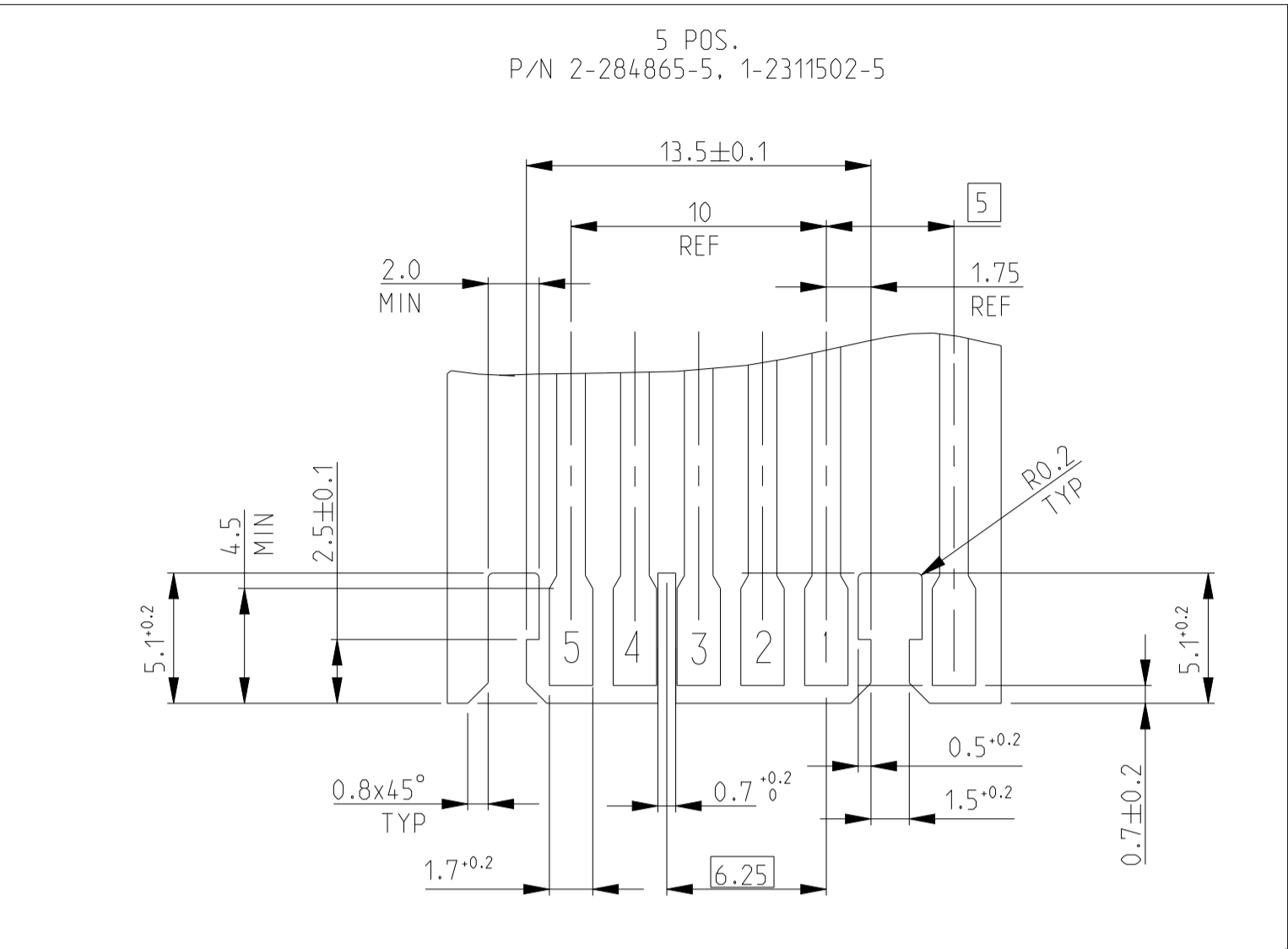
DIMENSIONS: mm	TOLERANCES UNLESS OTHERWISE SPECIFIED: 0 PLC # 1 PLC # 2 PLC # 3 PLC # 4 PLC # ANGLES #°	APVD E. TURCO PRODUCT SPEC 108-20238 APPLICATION SPEC 116-18049-1 WEIGHT -	NAME DUOPLUG 2.5 FEMALE CONN., SIDE LOCKING KEYED (FULLY LOADED)
MATERIAL SEE TABLE	FINISH SEE TABLE	SIZE CAGE CODE DRAWING NO A1 00779	RESTRICTED TO -

Customer Drawing SCALE 10:1 SHEET 2 OF 4 REV B1

LOC		DIST		REVISIONS			
P	LTN	DESCRIPTION	DATE	OWN	APVD		
-	-	SEE SHEET 1	-	-	-		

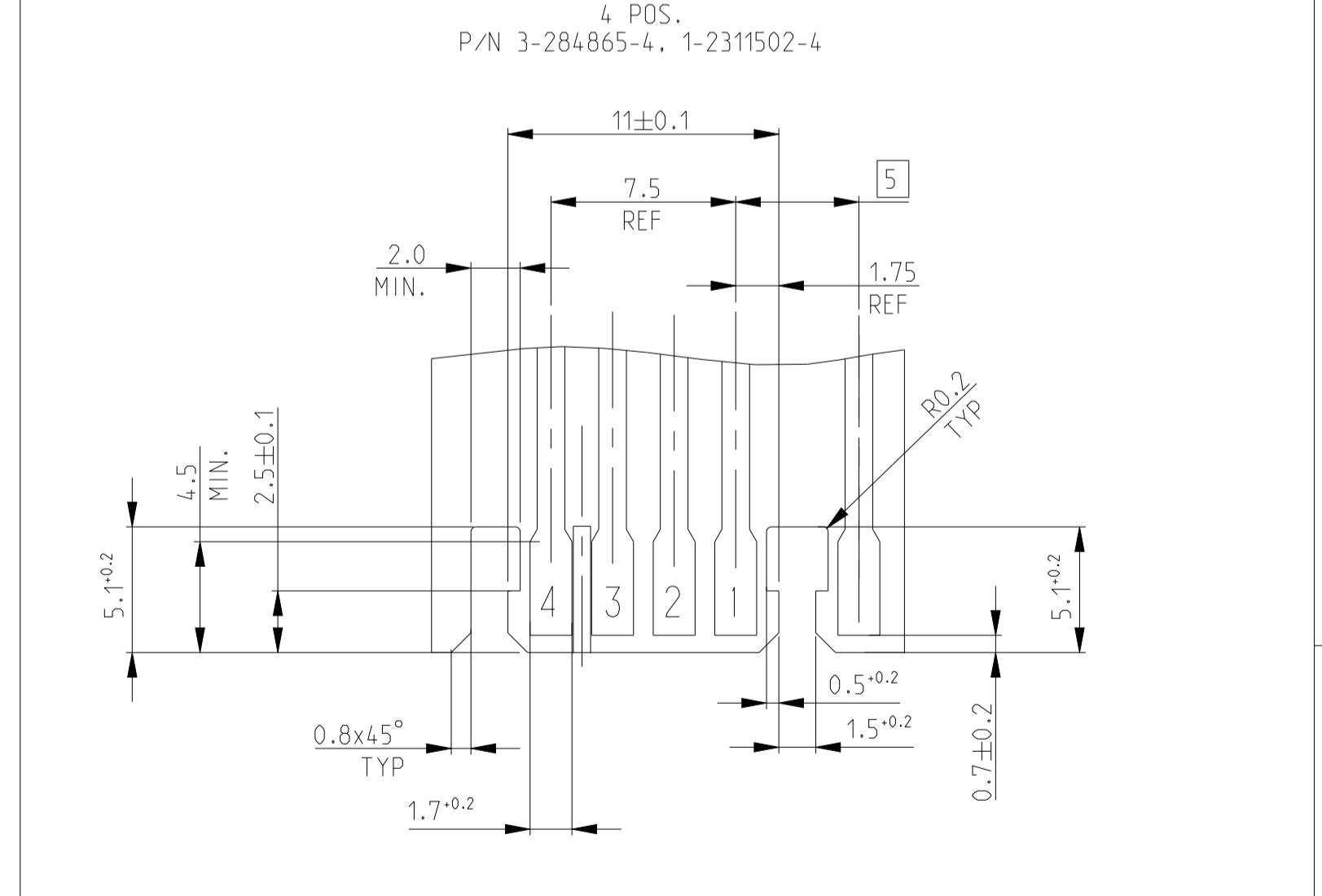
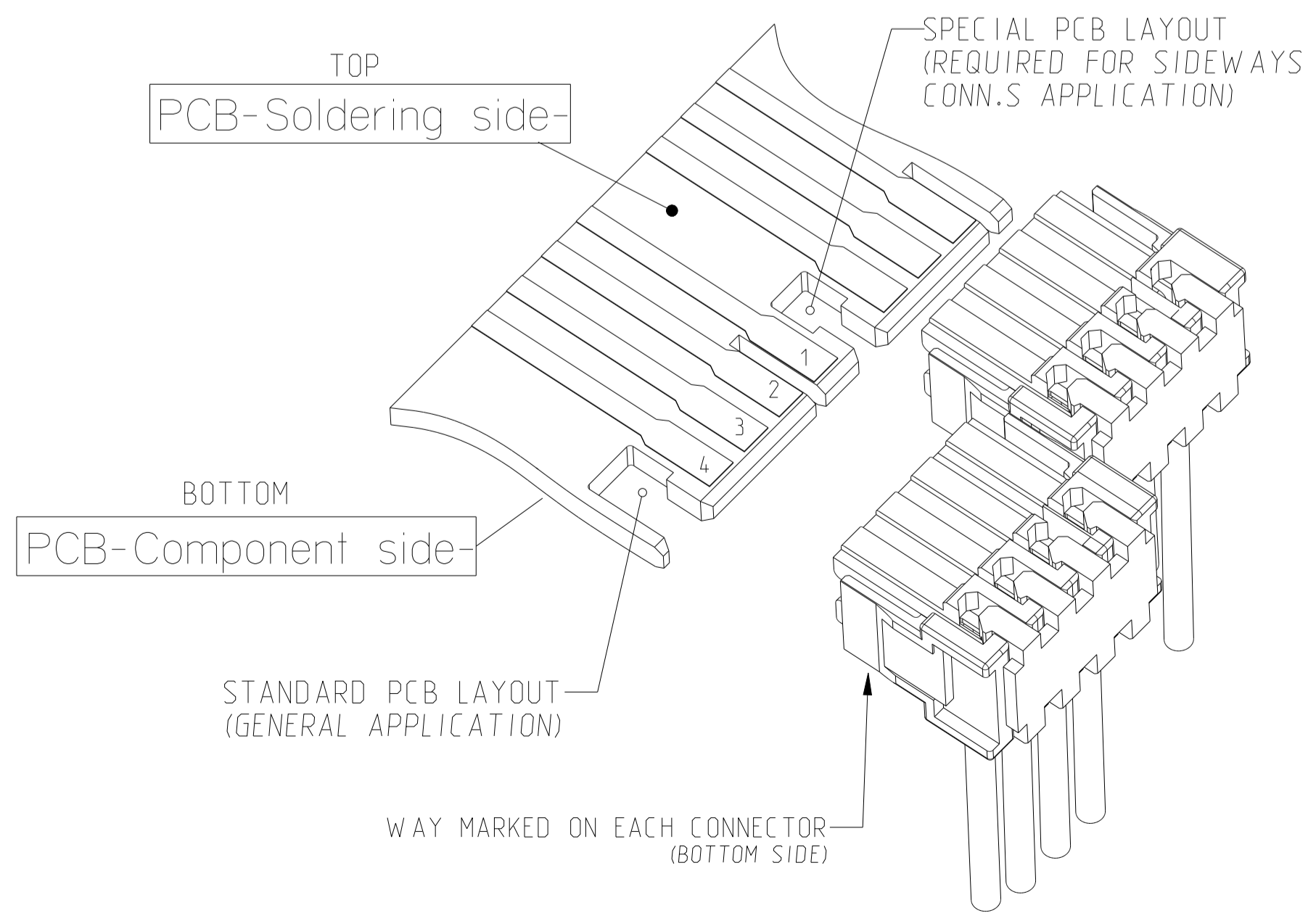
PCB LAYOUT -Soldering side-

(SCALE 4:1)



CONNECTION LAYOUT

E.G P/N 0-284865-4
(SCALE 4:1)



THIS DRAWING IS A CONTROLLED DOCUMENT.		OWN R. FABRIS	03JUL2002	TE Connectivity	
DIMENSIONS: mm		CHK G. TURCO	NAME DUOPLUG 2.5 FEMALE CONN., SIDE LOCKING KEYED (FULLY LOADED)		
TOLERANCES UNLESS OTHERWISE SPECIFIED:		APVD G. TURCO	PRODUCT SPEC	SIZE A1	
0 PLC # # # #		APPLICATION SPEC		CAGE CODE DRAWING NO	
1 PLC # # # #		108-20238		RESTRICTED TO	
2 PLC # # # #		116-18049-1		SCALE 10:1	
3 PLC # # # #		116-18049-1		SHEET 3 OF 4	
4 PLC # # # #		116-18049-1		REV B1	
ANGLES # # # #		WEIGHT		Customer Drawing	
FINISH # # # #		SEE TABLE		SCALE 10:1	
MATERIAL SEE TABLE		SEE TABLE		SHEET 3 OF 4	
				REV B1	

单击下面可查看定价，库存，交付和生命周期等信息

[>>TE Connectivity\(泰科\)](#)