

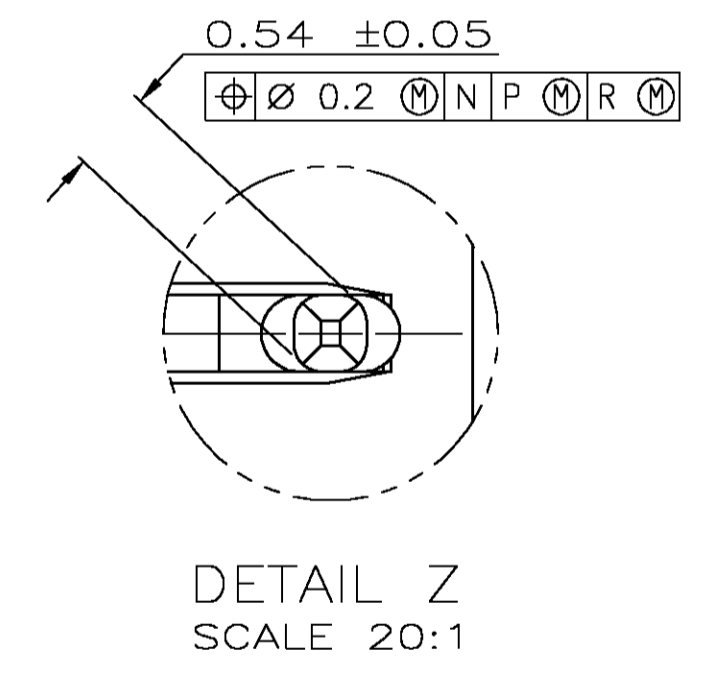
RECOMMENDED CIRCUIT PATTERN
 PER IPC-D300 TYPE II, CLASS C
 (COMPONENT SIDE)

- △ HOUSING MATERIAL: LIQUID CRYSTAL POLYMER, COLOR: NATURAL.
- △ CONTACT MATERIAL: PHOSPHOR BRONZE PER UNS ALLOY NO. C51100, TEMPER: H04.
- △ CONTACT FINISH:(D)
 UNDERPLATE (ENTIRE CONTACT):
 0.00127 MIN NICKEL PER SAE-AMS-QQ-N-290
 ON MATING SURFACES:
 FLASH GOLD PER ASTM B 488, OVER
 0.00076 MIN PALLADIUM-NICKEL OVER UNDERPLATE, OR
 0.00076 MIN GOLD PER ASTM B 488 OVER UNDERPLATE.
 ON LEADS:
 0.00127 MIN MATTE TIN PER ASTM B 545 OVER UNDERPLATE.
 LUBRICATION (MIN MATING SURFACES):
 SURFACE CONDITIONER AFTER PLATING.
- △ PART MARKING LOCATED APPROXIMATELY AS SHOWN.

| ROW | D | | AB | | | AC |
|----------------|---|---|----|---|---|----|
| | C | | AB | | | AC |
| | B | | AC | | | AC |
| | A | | AB | | | AB |
| | 1 | 2 | 3 | 4 | 5 | 6 |
| POWER POSITION | | | | | | |
| 5536626-1 | | | | | | |

| ROW | D | | AC | | | AC |
|----------------|---|---|----|---|---|----|
| | C | | AB | | | AB |
| | B | | AB | | | AB |
| | A | | AC | | | AC |
| | 1 | 2 | 3 | 4 | 5 | 6 |
| POWER POSITION | | | | | | |
| 5536626-2 | | | | | | |

| CODE LETTER | MATING POST LENGTH ±0.1 | LEAD LENGTH (REF) |
|-------------|-------------------------|-------------------|
| AC | 8 | 4.25 |
| AB | 7.25 | 4.25 |



| 6 | 1 | 10 | 5 | 11.88 | △ | 8 | 5536626-2 |
|--|---|--|------------|---------------------|--------|---|-------------|
| 6 | 1 | 10 | 5 | 11.88 | △ | 8 | 5536626-1 |
| E | D | C | B | A | FINISH | NO OF POWER POSN | PART NUMBER |
| THIS DRAWING IS A CONTROLLED DOCUMENT. | | | | | | | |
| DIMENSIONS: mm [INCHES] | | TOLERANCES UNLESS OTHERWISE SPECIFIED: | | APVD: D.R. BAECHTLE | | Tyco Electronics Corporation | |
| 0 PLC | ± | - | | 10/AUG/95 | | Harriaburg, Pa 17105-3608 | |
| 1 PLC | ± | - | | 10/AUG/95 | | ASSEMBLY, PIN, POWER, VERTICAL, Z-PACK 2mm FB, 4 ROW, PRESS FIT LEADS, RANDOM SEQUENCED | |
| 2 PLC | ± | - | 0.13[.005] | | | RESTRICTED TO | |
| 3 PLC | ± | - | | | | SIZE: A1 00779 C=5536626 | |
| 4 PLC | ± | - | | | | WEIGHT: - | |
| ANGLES | ± | - | | | | CUSTOMER DRAWING | |
| FINISH | △ | △ | △ | | | SCALE: 4:1 SHEET: 1 OF 1 REV: 0 | |

单击下面可查看定价，库存，交付和生命周期等信息

[>>TE Connectivity\(泰科\)](#)