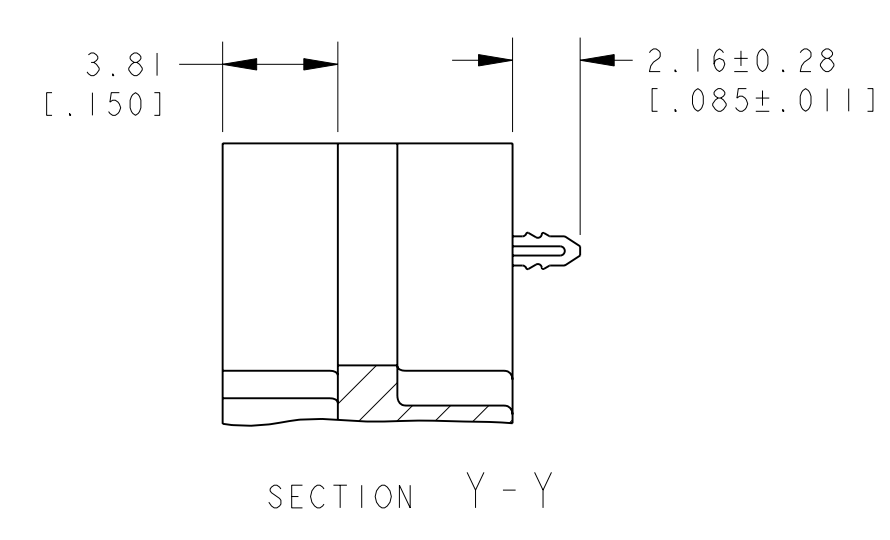
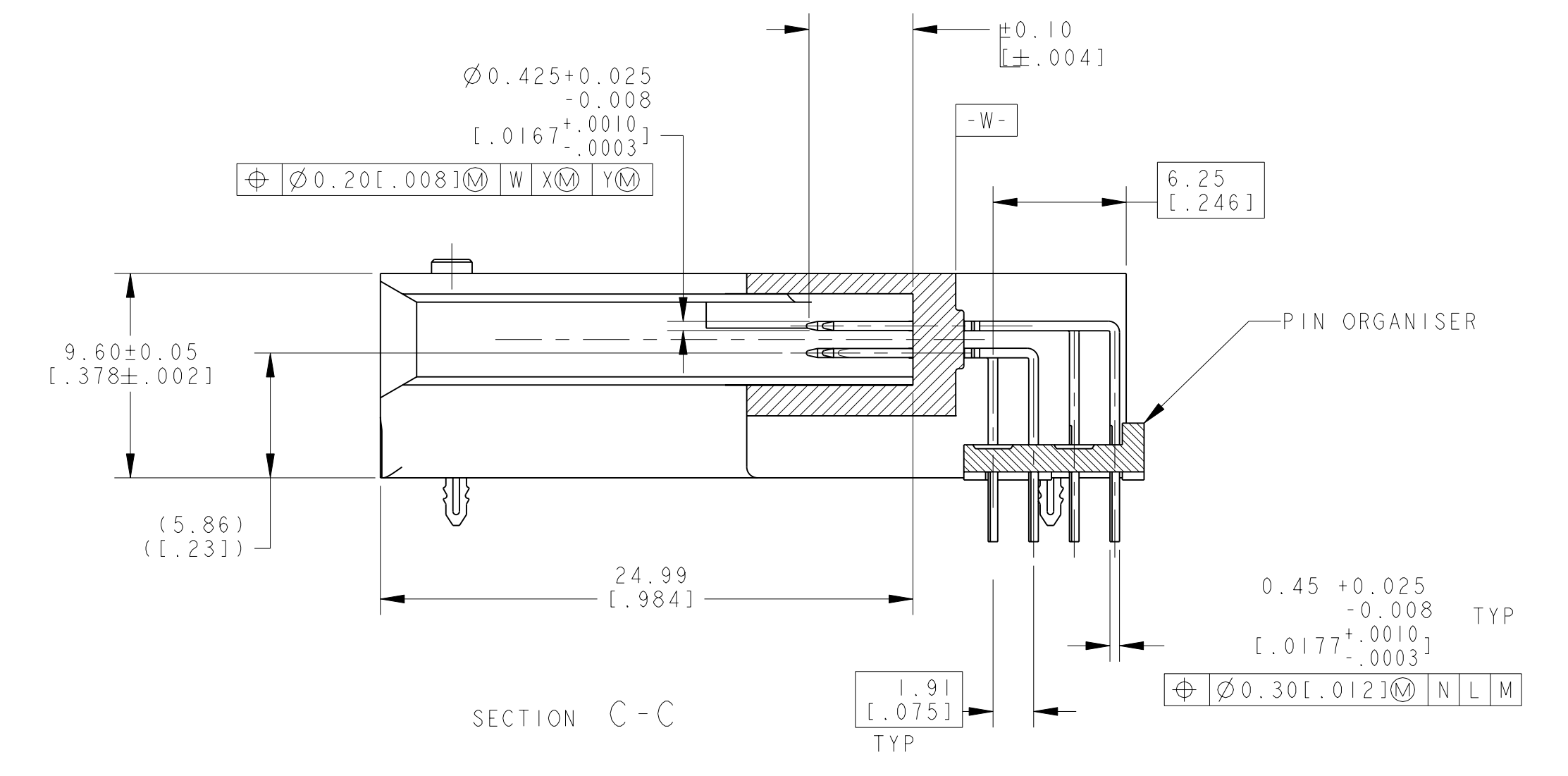
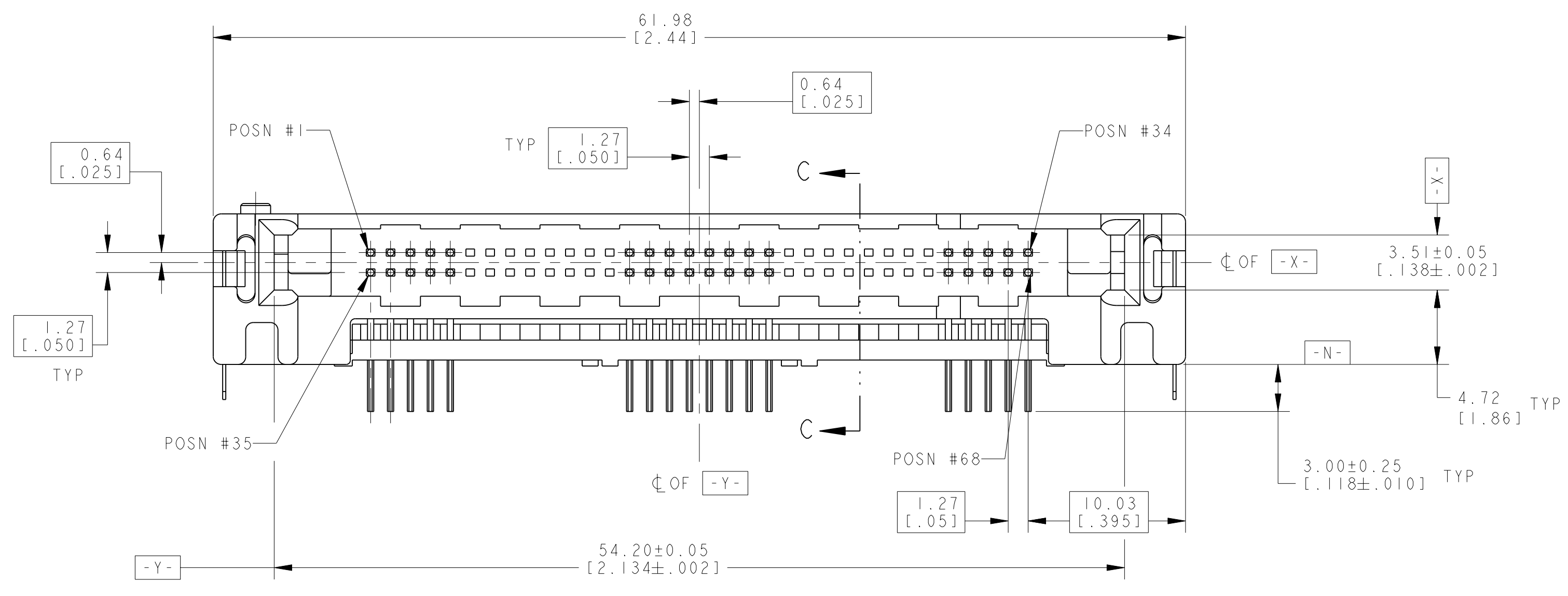
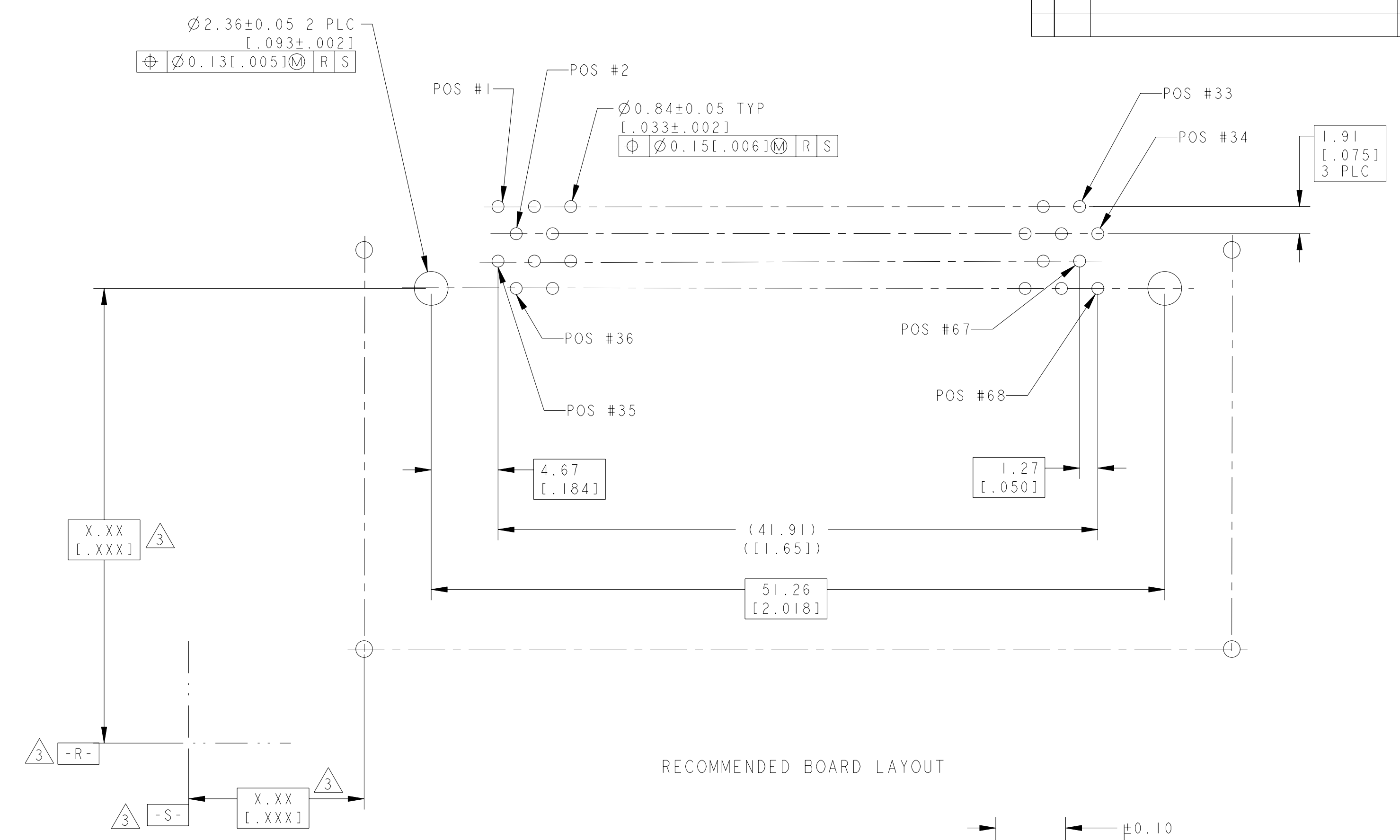
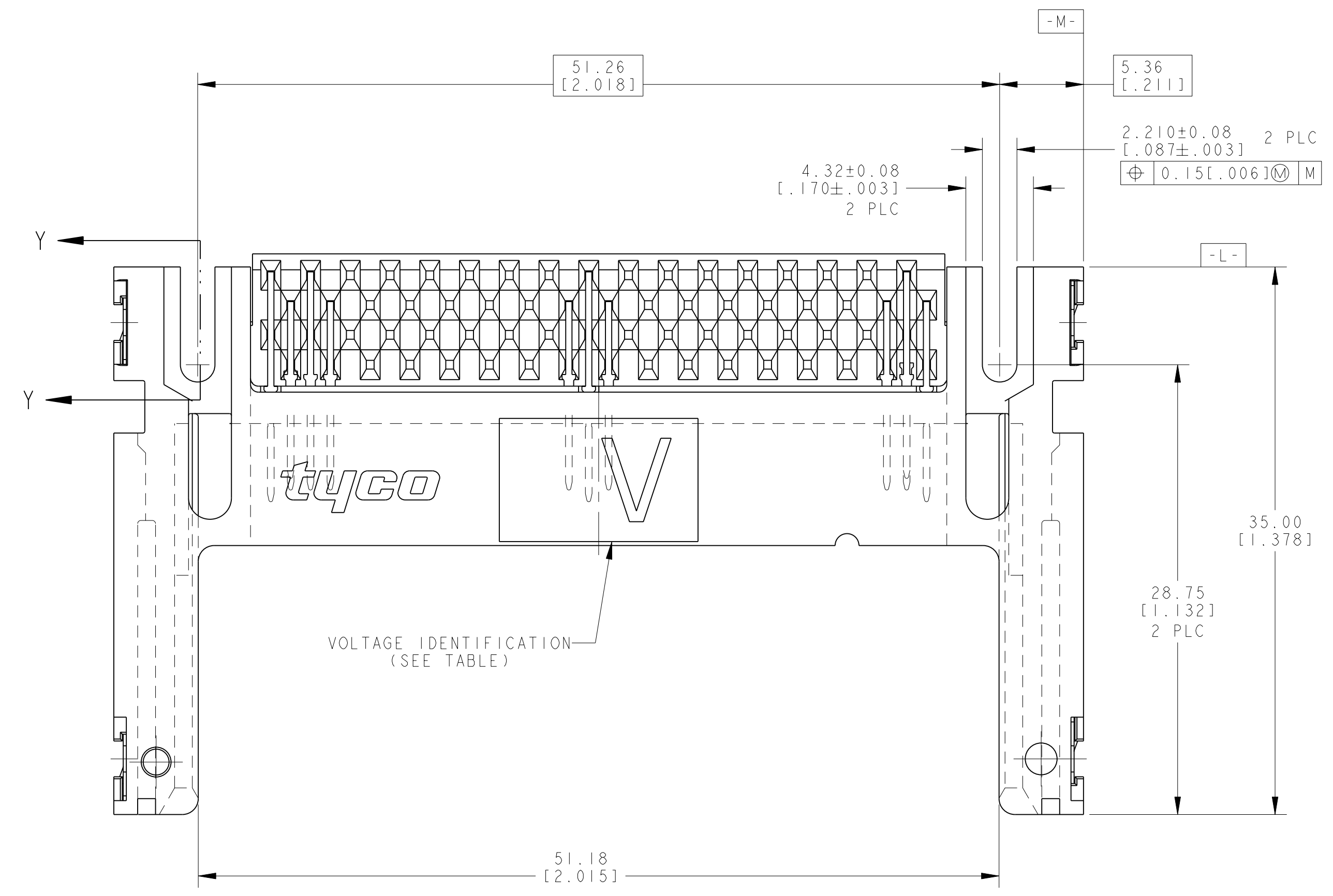


LOC	DIST	REV	DATE	DWN	APVD
-	-	A	29FEB2012	GG	RRP



- NOTE
- △ PLATING: GOLD ON THE CARD MATING AREA.
TIN ON SOLDER TAILS
NICKEL ALL OVER
 - 2. CUSTOMER TO PROVIDE CARD GUIDANCE SYSTEM.
 - △ DATUMS AND BASIC DIMENSIONS ESTABLISHED BY CUSTOMER.
 - 4. CONNECTOR REQUIRES USE OF 2 - SIZE 2M SCREWS FOR FASTENING TO PRINTED CIRCUIT BOARD.
 - △ MATERIAL: HOUSING & ORGANISER : THERMOPLASTIC UL94 V0, COLOR - BLACK
PIN : BRASS
HOLD-DOWN : PHOSPHOR BRONZE.
 - △ HOLD-DOWN : TIN PLATED

PLATING	VOLTAGE IDENTIFICATION	"L" (PIN LENGTH) AND LOCATION	PART NUMBER
△6	LV	1, 17, 34 35, 51, 68 ALL OTHER PINS	2178292-2
△6	5V	1, 17, 34 35, 51, 68 ALL OTHER PINS	2178292-1
PLATING		0.197 [5.0]	0.167 [4.25]
VOLTAGE IDENTIFICATION		0.138 [3.5]	

THIS DRAWING IS A CONTROLLED DOCUMENT.		DWN: GUNA 23DEC2011	TE Connectivity
DIMENSIONS: mm [INCHES]		CHK: RAJENDRA 23DEC2011	
TOLERANCES UNLESS OTHERWISE SPECIFIED:		APVD: RAJENDRA 23DEC2011	
9 PLC ± 3 PLC ± 5 PLC ± 4 PLC ± ANGLES ±0.13 [0.005] FINISH ±0° 30'		NAME: PIN HEADER ASSY., 68 POS RAISED HT., TOP BRD MTG., THRU HOLE, WITH HOLD-DOWN, MEMORY CARD PRODUCT SPEC: 108-1469 APPLICATION SPEC:	
MATERIAL: △6	FINISH: △1 △6	WEIGHT: -	RESTRICTED TO: -
CUSTOMER DRAWING		SCALE: 4:1	SHEET 1 OF 1 REV A

单击下面可查看定价，库存，交付和生命周期等信息

[>>TE Connectivity\(泰科\)](#)