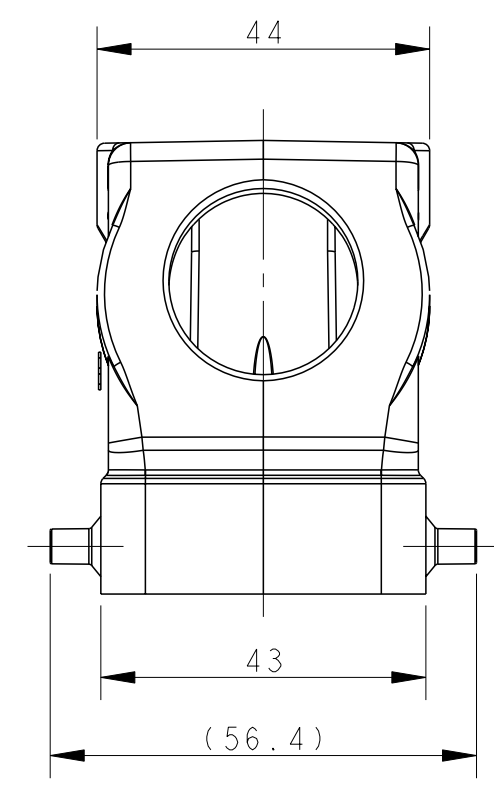
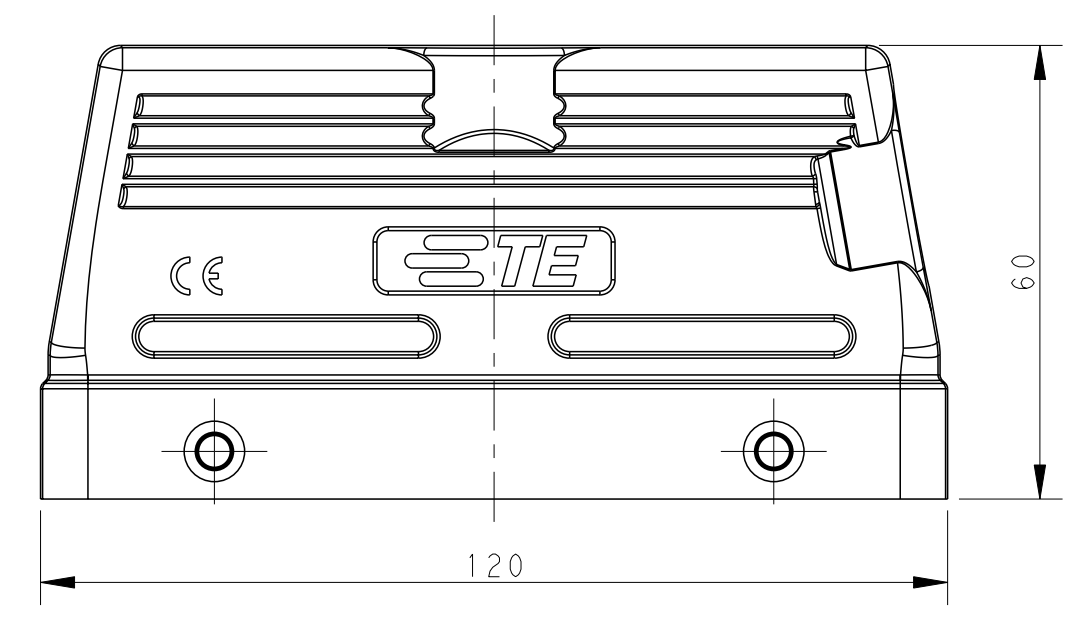


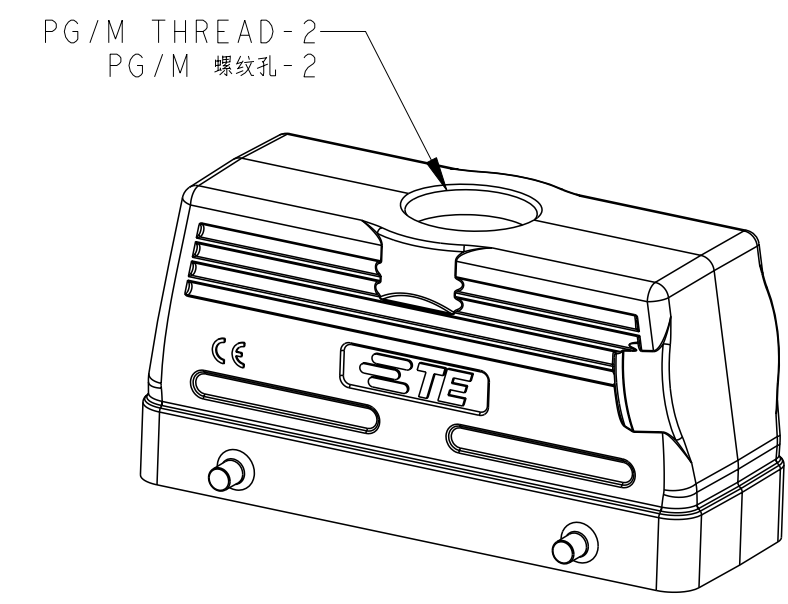
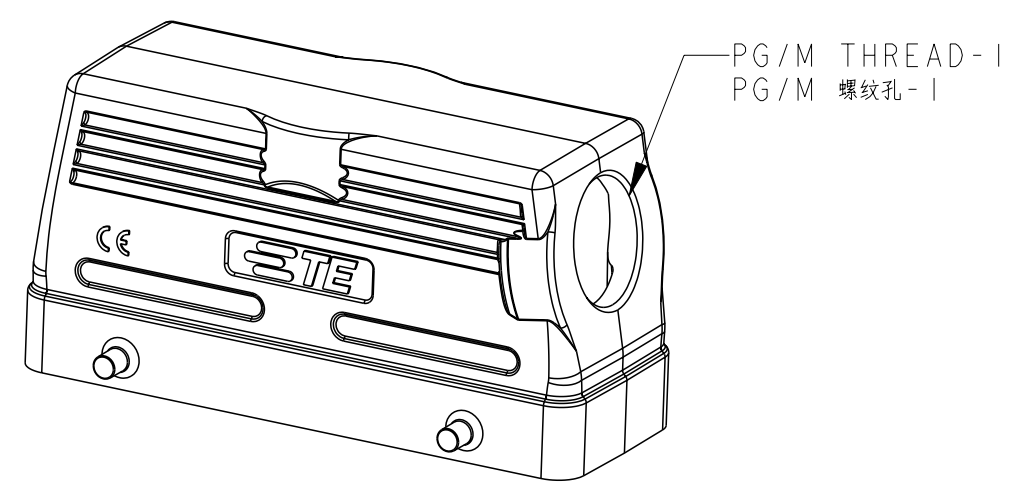
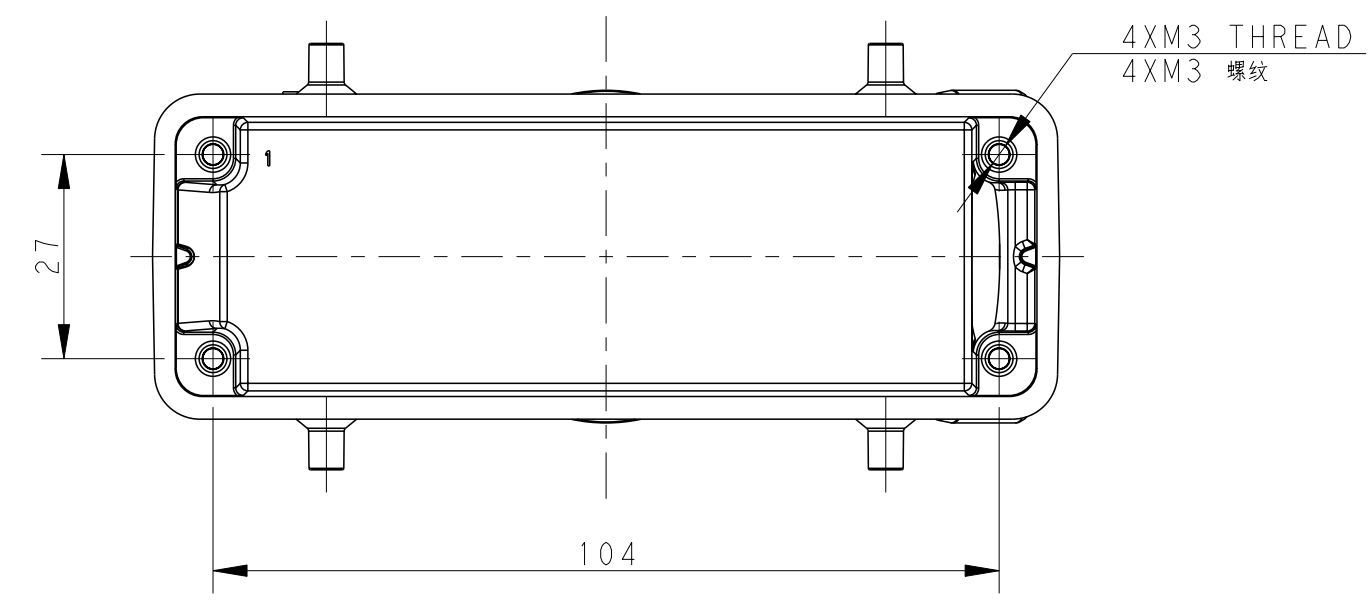
THIS DRAWING IS UNPUBLISHED. RELEASED FOR PUBLICATION 20  
 © COPYRIGHT 20 BY - ALL RIGHTS RESERVED.

REVISIONS				
P	LTR	DESCRIPTION	DATE	APVD
A		INITIAL	03JUN2015	DW CW
A1		ECR-16-013642	08MAY2017	BS CW
B		ECR-20-014876	22OCT2020	WQR CW
B1		ECR-21-108894	04AUG2021	WQR CW



NOTES:  
 1. TECHNICAL CHARACTERISTICS:  
 BODY MATERIAL: DIE CAST ALUMINIUM ALLOY  
 SURFACE TREATMENT: POWDER COATED, GREY  
 DEGREE OF PROTECTION: IP65 (MATED)

注释:  
 1. 技术参数:  
 主体材料: 铝合金  
 表面处理: 灰色粉末喷涂  
 防护等级: IP65(配合)



TYPE 1: SIDE ENTRY  
 类型1: 侧出

TYPE 2: TOP ENTRY,  
 OTHER SPEC. REFER TO TYPE1  
 类型2: 顶出, 其他规格参照类型1

T1210240116-000	H24B-TS-PG16	H24B HOOD, SIDE ENTRY PG16, 4 EAR, POWDER COATED, GREY H24B上壳, 侧出PG16, 4耳, 灰色粉末喷涂	PG16	-	TYPE 1 类型 1
T1210240120-000	H24B-TS-M20	H24B HOOD, SIDE ENTRY M20, 4 EAR, POWDER COATED, GREY H24B上壳, 侧出M20, 4耳, 灰色粉末喷涂	M20	-	
T1210240121-000	H24B-TS-PG21	H24B HOOD, SIDE ENTRY PG21, 4 EAR, POWDER COATED, GREY H24B上壳, 侧出PG21, 4耳, 灰色粉末喷涂	PG21	-	
T1210240125-000	H24B-TS-M25	H24B HOOD, SIDE ENTRY M25, 4 EAR, POWDER COATED, GREY H24B上壳, 侧出M25, 4耳, 灰色粉末喷涂	M25	-	
T1210240132-000	H24B-TS-M32	H24B HOOD, SIDE ENTRY M32, 4 EAR, POWDER COATED, GREY H24B上壳, 侧出M32, 4耳, 灰色粉末喷涂	M32	-	TYPE 2 类型 2
T1220240116-000	H24B-TG-PG16	H24B HOOD, TOP ENTRY PG16, 4 EAR, POWDER COATED, GREY H24B上壳, 顶出PG16, 4耳, 灰色粉末喷涂	-	PG16	
T1220240121-000	H24B-TG-PG21	H24B HOOD, TOP ENTRY PG21, 4 EAR, POWDER COATED, GREY H24B上壳, 顶出PG21, 4耳, 灰色粉末喷涂	-	PG21	
T1220240125-000	H24B-TG-M25	H24B HOOD, TOP ENTRY M25, 4 EAR, POWDER COATED, GREY H24B上壳, 顶出M25, 4耳, 灰色粉末喷涂	-	M25	
T1220240129-000	H24B-TG-PG29	H24B HOOD, TOP ENTRY PG29, 4 EAR, POWDER COATED, GREY H24B上壳, 顶出PG29, 4耳, 灰色粉末喷涂	-	PG29	
T1220240132-000	H24B-TG-M32	H24B HOOD, TOP ENTRY M32, 4 EAR, POWDER COATED, GREY H24B上壳, 顶出M32, 4耳, 灰色粉末喷涂	-	M32	
T1220240140-000	H24B-TG-M40	H24B HOOD, TOP ENTRY M40, 4 EAR, POWDER COATED, GREY H24B上壳, 顶出M40, 4耳, 灰色粉末喷涂	-	M40	
T1220240134-000	H24B-TG-G3/4	H24B HOOD, TOP ENTRY G3/4, 4 EAR, POWDER COATED, GREY H24B上壳, 顶出G3/4, 4耳, 灰色粉末喷涂	-	G3/4	
PART NUMBER 料号	PART DESCRIPTION 描述		PG/M THREAD-1 PG/M 螺纹孔-1	PG/M THREAD-2 PG/M 螺纹孔-2	TYPE 类型

THIS DRAWING IS A CONTROLLED DOCUMENT.

DIMENSIONS: mm	TOLERANCES UNLESS OTHERWISE SPECIFIED: 0 PLC ± 1 PLC ± 2 PLC ± 3 PLC ± 4 PLC ± ANGLES ± FINISH	DWN David Wang 03JUN2015 CHK Chris Wang 03JUN2015 APVD Xiang Xu 03JUN2015 PRODUCT SPEC 108-137013 APPLICATION SPEC 114-137013 WEIGHT -	TE Connectivity NAME H24B-TS/TG-M/PG SIZE A2 CAGE CODE 00779 DRAWING NO. T12X02401XX000 RESTRICTED TO - SCALE 1:1 SHEET 1 OF 1 REV B1		
MATERIAL -	-	Customer Drawing			

Printed on 5 Aug 2021 10:31 (China Standard Time) from TE343646

单击下面可查看定价，库存，交付和生命周期等信息

[>>TE Connectivity\(泰科\)](#)