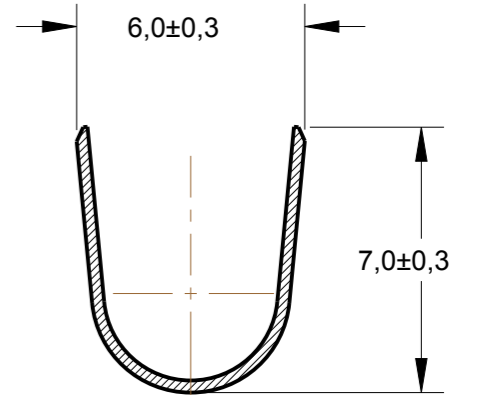
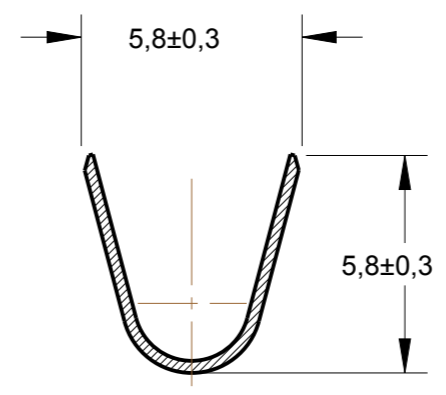
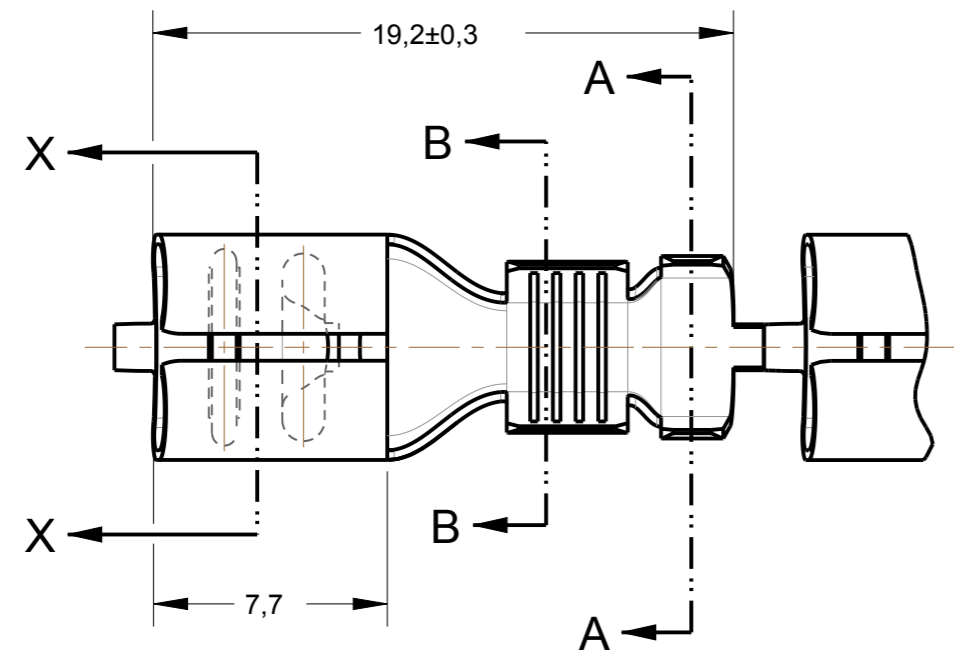


THIS DRAWING IS UNPUBLISHED. RELEASED FOR PUBLICATION 2012
 © COPYRIGHT2012 BY TE CONNECTIVITY ALL RIGHTS RESERVED.

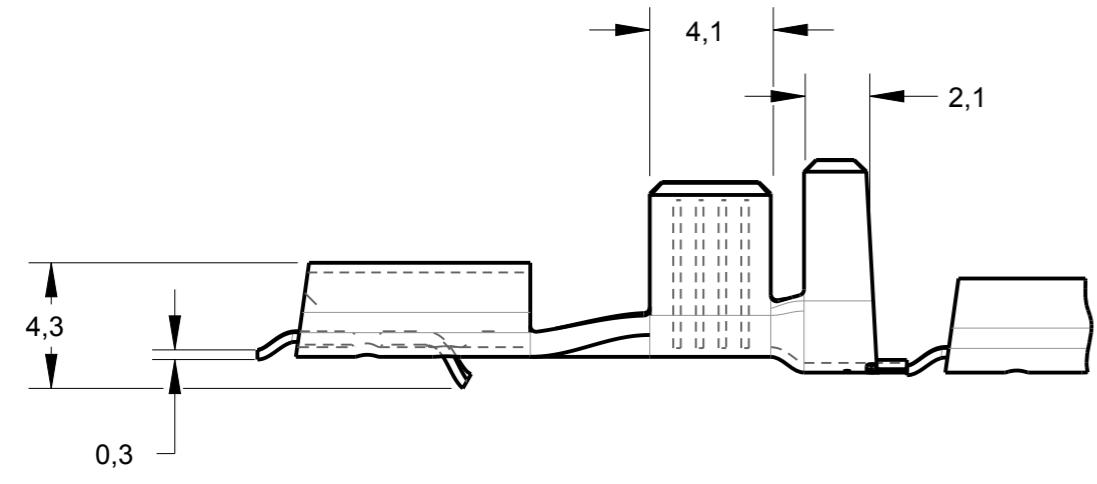
REVISIONS					
P	LTR	DESCRIPTION	DATE	DWN	APVD
	G2	REDRAW BY CAD ECO-15-013548	22SEP2015	NCL	DAO
	G3	REVISED DRAWING ECO-18-014178	11SEP2018	NCL	JMN



SECTION B-B
SCALE 5:1

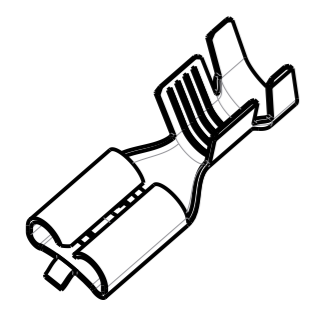
SECTION A-A
SCALE 5:1

1 - OBSOLETE PARTS: OBSOLETE CIS STREAMLING PER D.RENAUD/D.SINISI

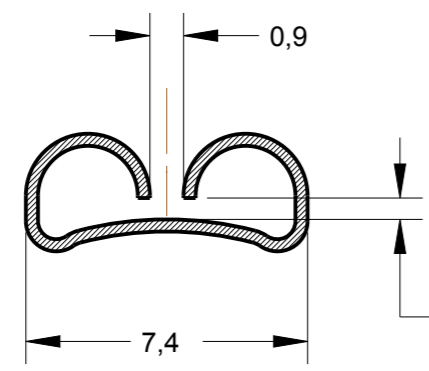


OBSOLETE	626362-6	PLATEADO/SILVER PLATED	BRONZE FOSF./PHOSP BRONZE	626328-6
OBSOLETE	626362-5	PLATEADO/SILVER PLATED	BRONZE FOSF./PHOSP BRONZE	626328-5
OBSOLETE	626362-4	ESTANHADO / TIN PLATED	BRONZE FOSF./PHOSP BRONZE	626328-4 1
OBSOLETE	626362-3	PLATEADO/SILVER PLATED	LATÃO / BRASS	626328-3 1
	626362-2	ESTANHADO / TIN PLATED	LATÃO / BRASS	626328-2
	626362-1	—	LATÃO / BRASS	626328-1

INS.RANGE	WIRE RANGE	PN LOSSE PIECE	FINISH	MATERIAL	PART NUMBER
∅ 3,4-5,0mm	4,0-6,0mm ²				
THIS DRAWING IS A CONTROLLED DOCUMENT.		DWN 22SEP2015 NCLAPRESA			
DIMENSIONS: mm		CHK 22SEP2015 JRGOLDSCHMIDT			
TOLERANCES UNLESS OTHERWISE SPECIFIED:		APVD 22SEP2015 DAOLIVEIRA			
0 PLC ±- 1 PLC ±0,5 2 PLC ±- 3 PLC ±- 4 PLC ±- ANGLES ±1°		PRODUCT SPEC			
MATERIAL	FINISH	WEIGHT	NAME	TERMINAL FASTIN-FASTON.250 RECEPT	
SEE TABLE	SEE TABLE	-	-	SIZE	RESTRICTED TO
-	-	Customer Drawing	A3	CAGE CODE 00779	DRAWING NO C-626328
			SCALE 3:1	SHEET 1 OF 1	REV G3



PERSPECTIVE VIEW
SCALE 2:1



SECTION X-X
SCALE 5:1

PARA LINGUETA DE 0,8mm ESPESSURA FOR 0,8mm TAB

单击下面可查看定价，库存，交付和生命周期等信息

[>>TE Connectivity\(泰科\)](#)