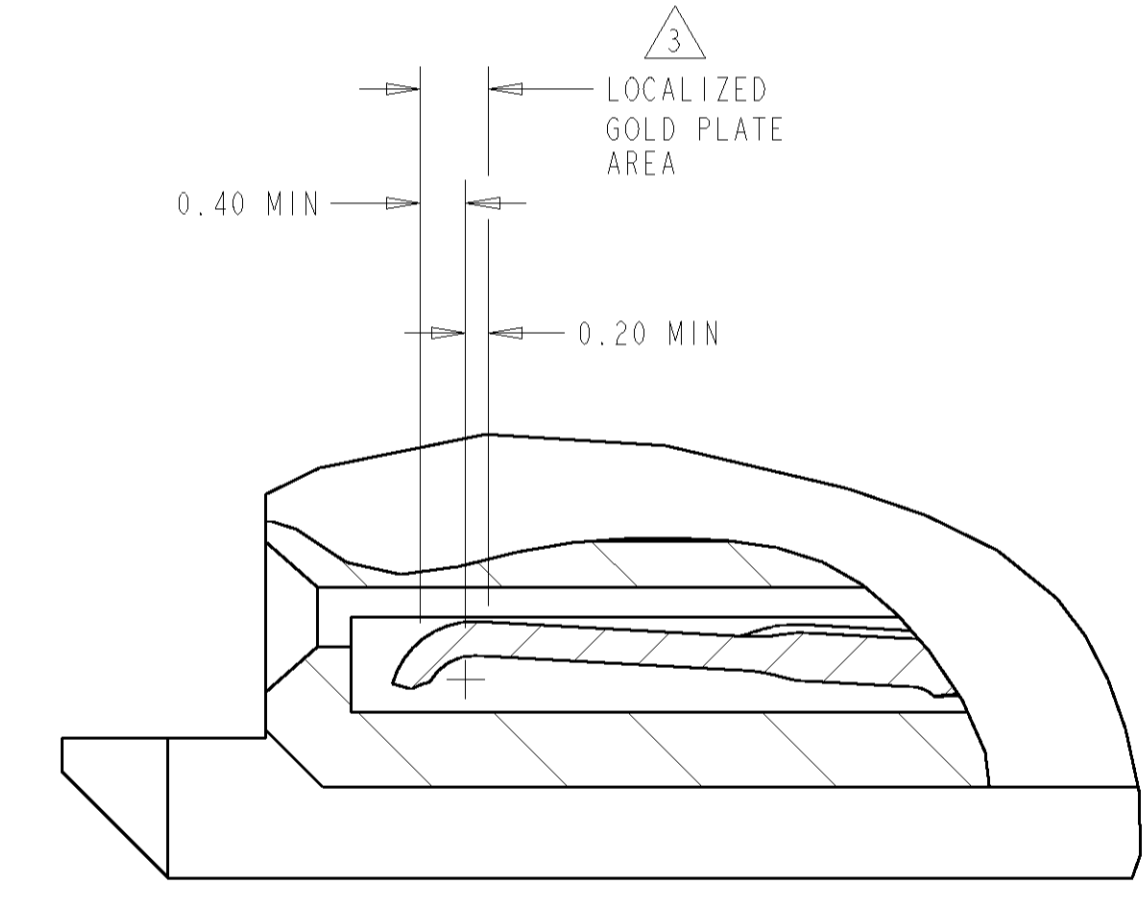
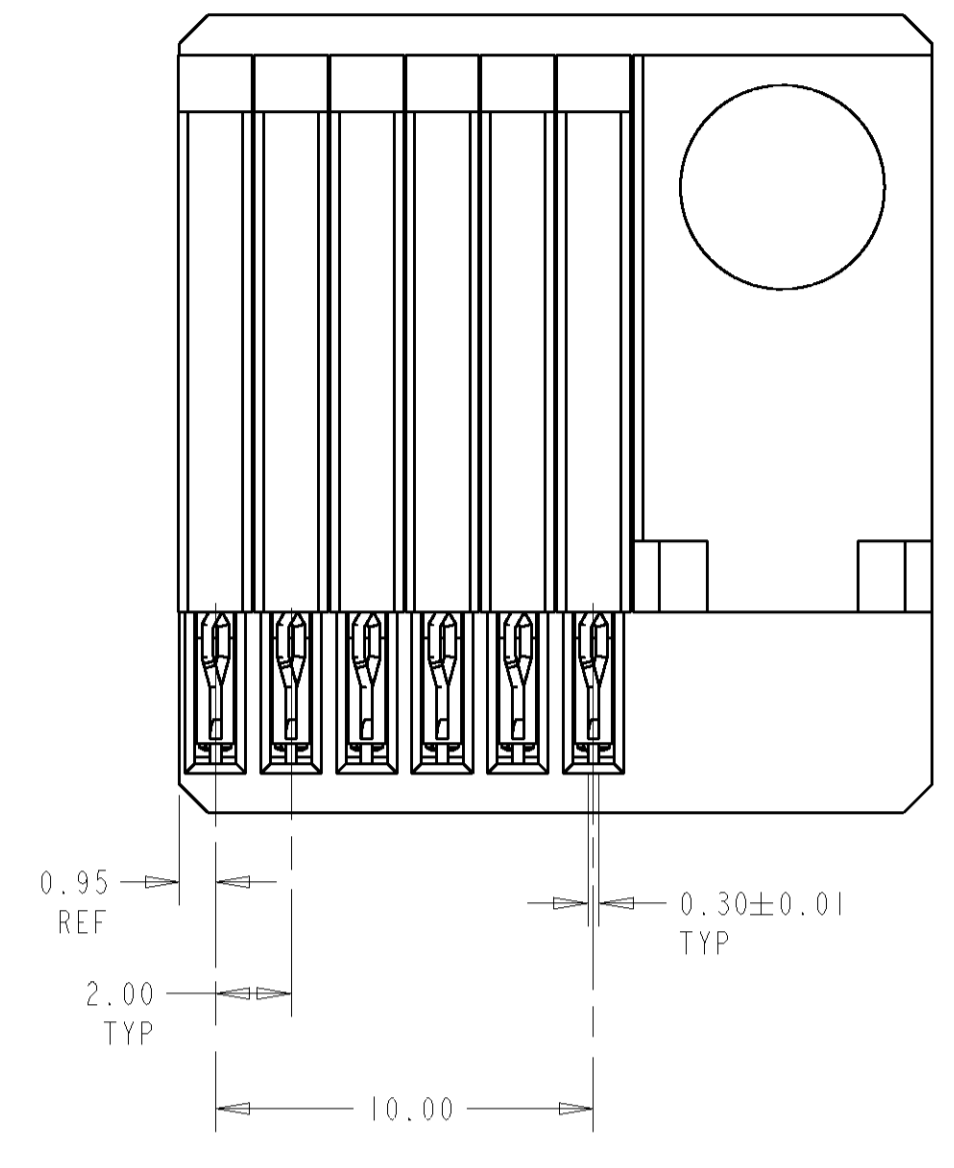
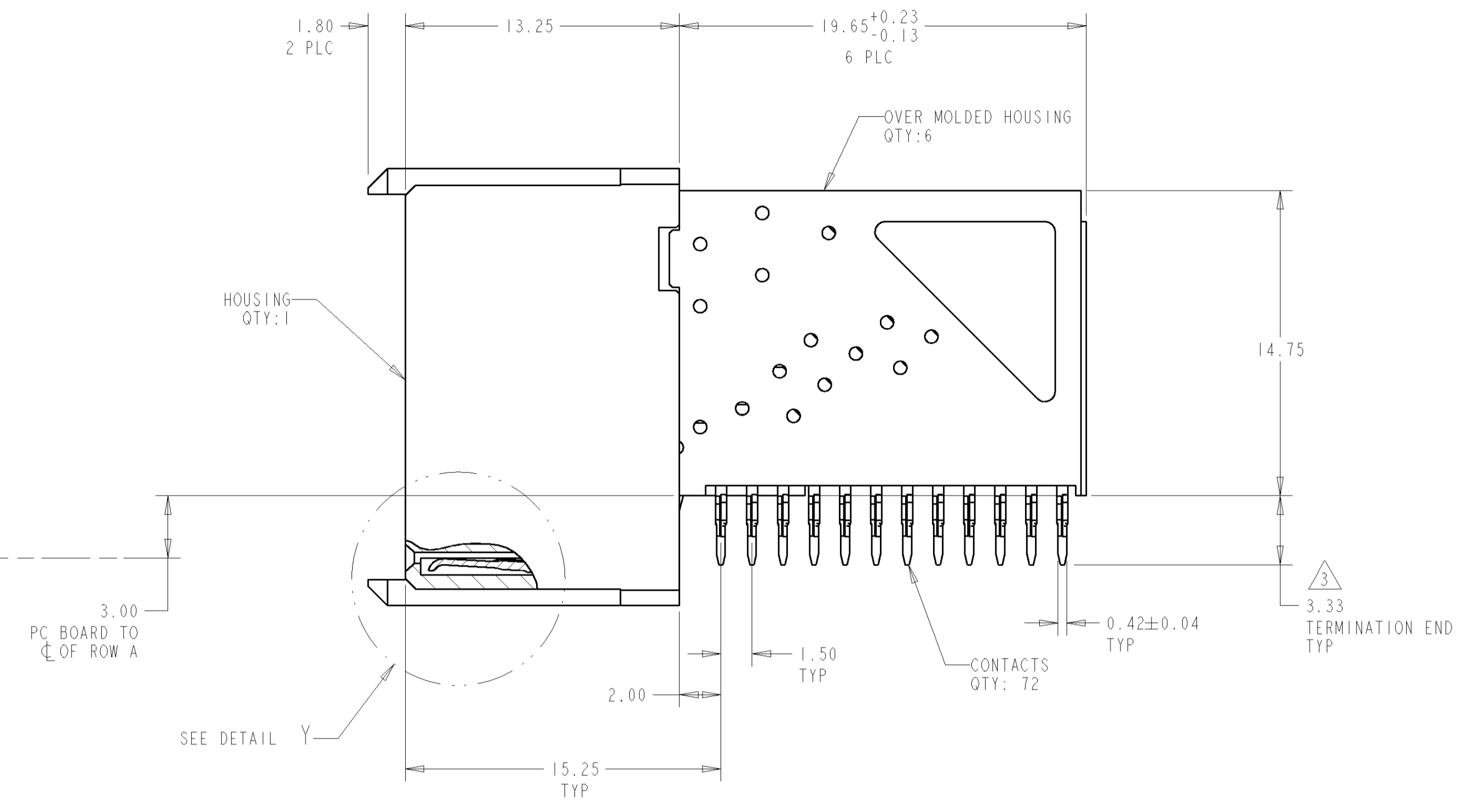
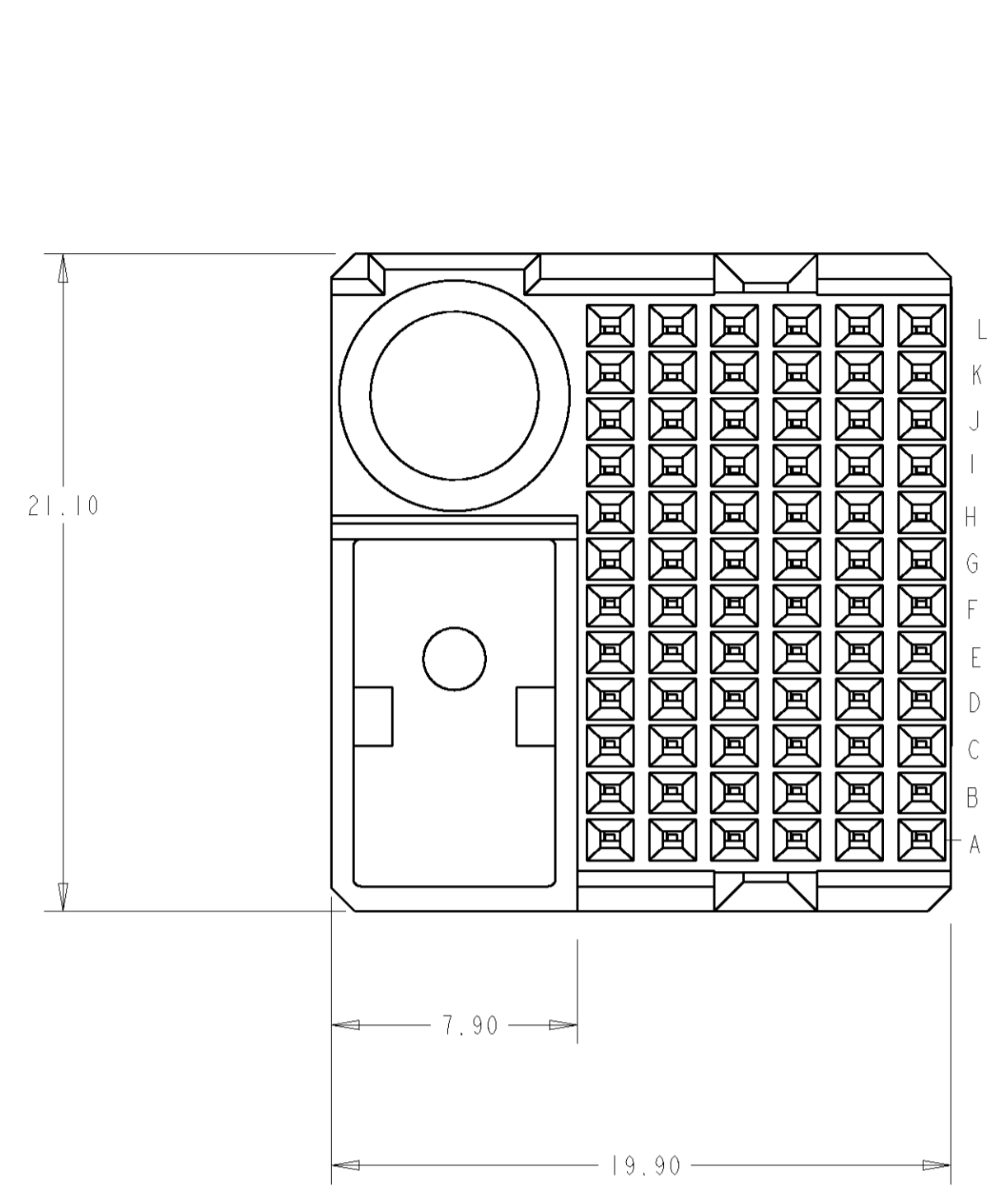
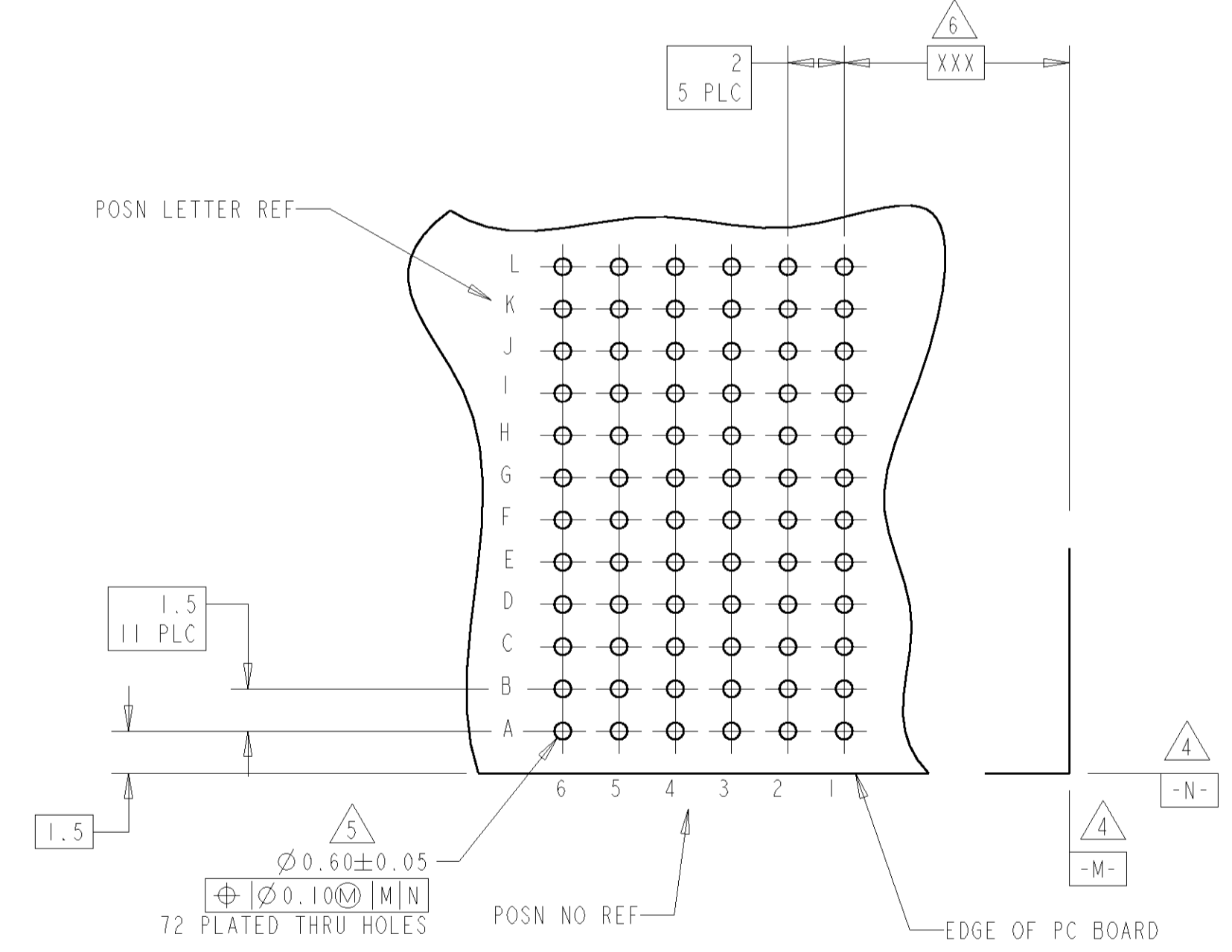
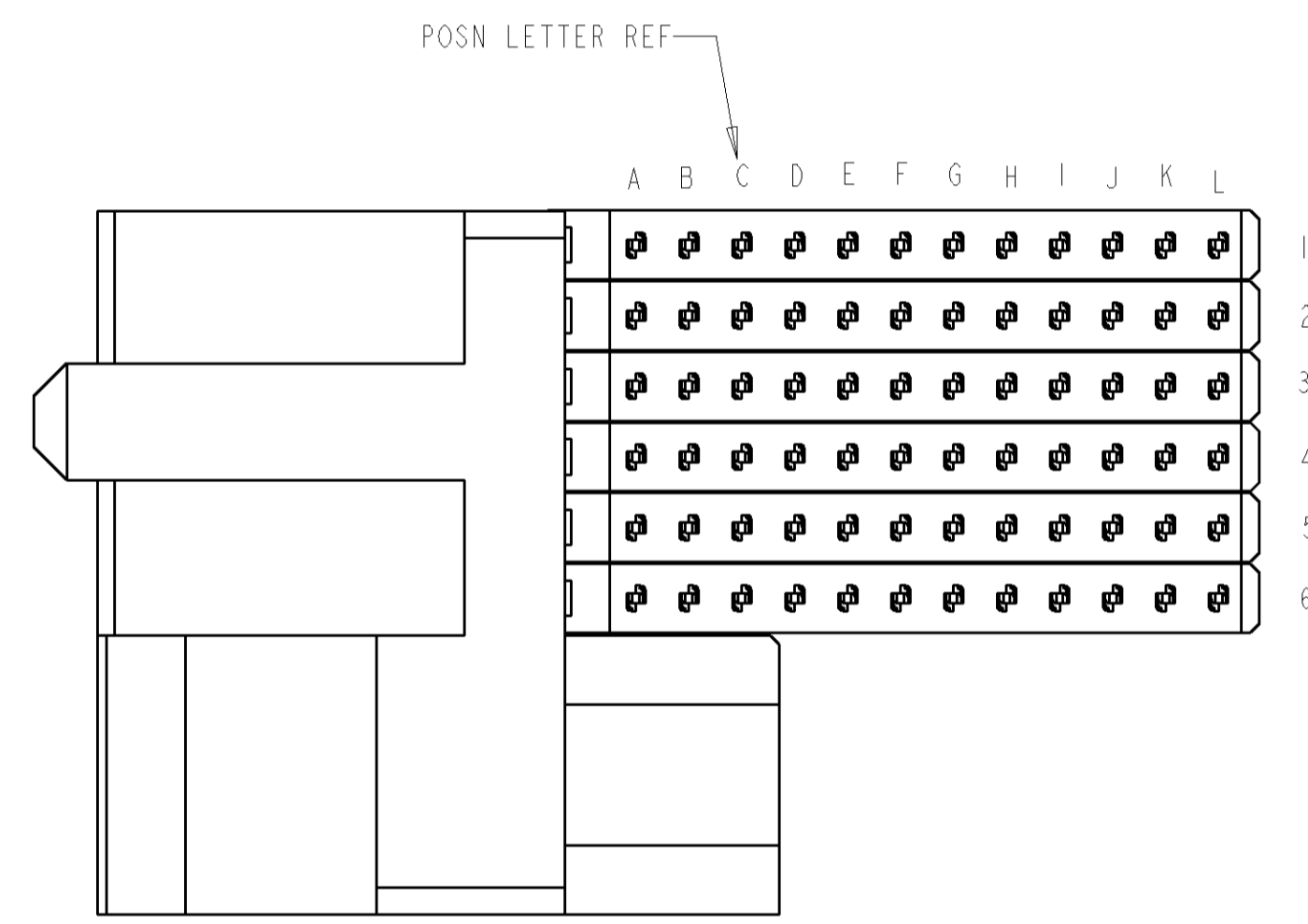


REVISONS		DATE	DWN	APVD
P	LTR	DESCRIPTION		
0	REV PER EC	OS12-0319-04	01JUN2005	BC GS
A	REV PER EC	OS12-0302-05	13DEC2005	BC GS



DETAIL Y  
SCALE 15:1  
TYPICAL



RECOMMENDED  
PRINTED CIRCUIT BOARD  
LAYOUT  
RECOMMENDED PRINTED CIRCUIT BOARD  
THICKNESS 1.27  
COMPONENT SIDE OF PRINTED CIRCUIT BOARD

- ① GLASS FILLED POLYESTER, BLACK
- ② PHOSPHOR BRONZE
- ③ CONFORMS TO ALL TESTING ACCORDING TO IEC 61076-4-101 PERFORMANCE LEVEL 2.
- ④ DATUMS ESTABLISHED BY CUSTOMER.
- ⑤ DRILLED HOLE DIAMETER 0.700±0.025  
COPPER THK 0.025-0.05  
TIN THICKNESS 0.004-0.01
- ⑥ DIMENSION ESTABLISHED BY CUSTOMER.
- ⑦ GENERAL PLATING SPECIFICATION: UNDERPLATING (ENTIRE CONTACT): 1.27µm MIN NICKEL AND ACTION PIN: 0.5µm MIN TIN FOR PLATING OF MATING SURFACES SEE APPLICABLE SPECIFICATION REFERENCE FOR EACH DASH NUMBER.

5120640-1  
PART NUMBER

DIMENSIONS:		TOLERANCES UNLESS OTHERWISE SPECIFIED:		DWN: B CARBO 01JUN05		Tyco Electronics Harrisburg, PA 17105-3608	
mm	0 PLC ±	1 PLC ±	2 PLC ±	3 PLC ±	4 PLC ±	5 PLC ±	6 SKIPPER 01JUN05
	±	±	±	±	±	±	NAME: RECEPTACLE ASSEMBLY, SIGNAL/GROUND COMBINATION, 72 POSITION, LEFT HAND, Z-PACK 12 HM
	±	±	±	±	±	±	PRODUCT SPEC
	±	±	±	±	±	±	APPLICATION SPEC
	±	±	±	±	±	±	SIZE: CAGE CODE DRAWING NO RESTRICTED TO
	±	±	±	±	±	±	A 00779 C=5120640
MATERIAL: HOUSING: ①	CONTACTS: ②	CONTACTS: ③	CONTACTS: ⑦	WEIGHT: -	CUSTOMER DRAWING	SCALE: 5:1	SHEET 1 OF 1 REV A

单击下面可查看定价，库存，交付和生命周期等信息

[>>TE Connectivity\(泰科\)](#)