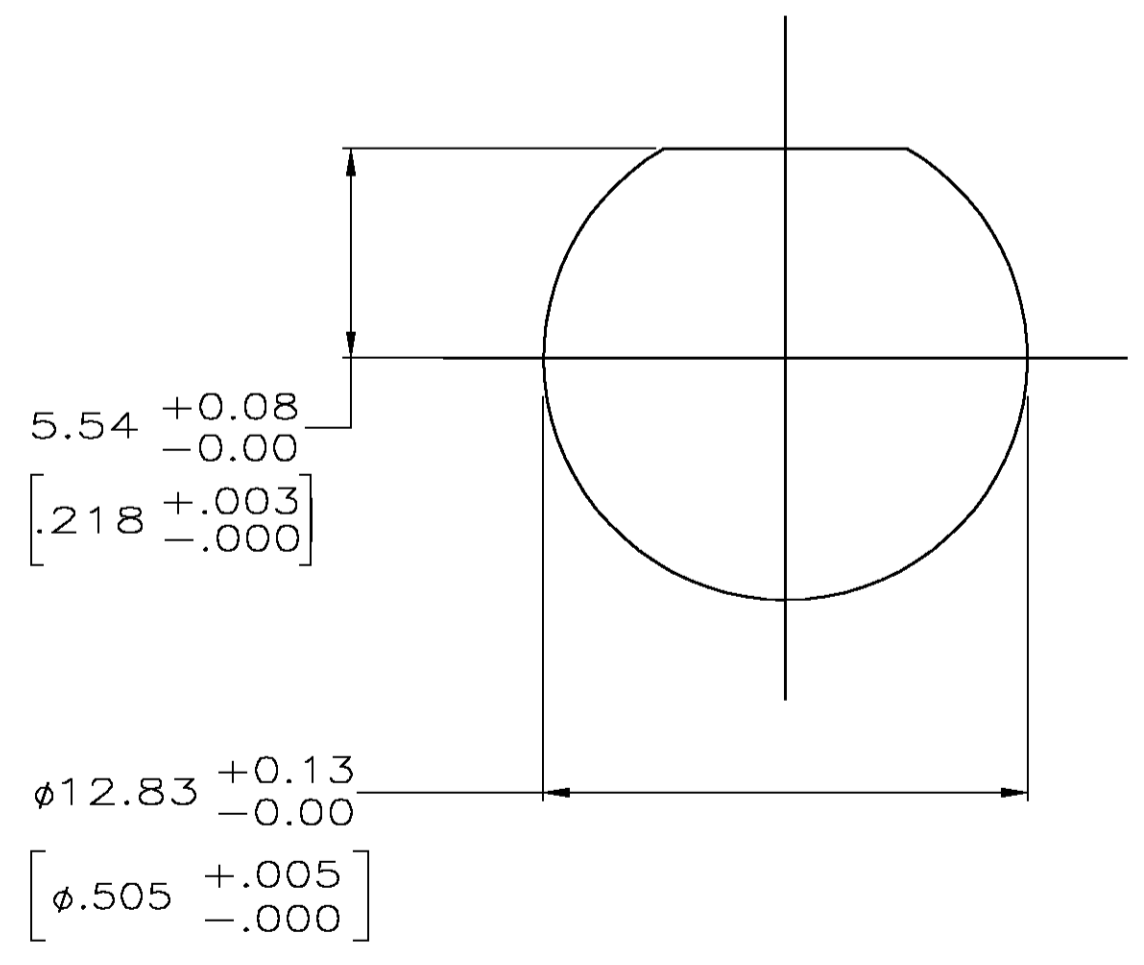
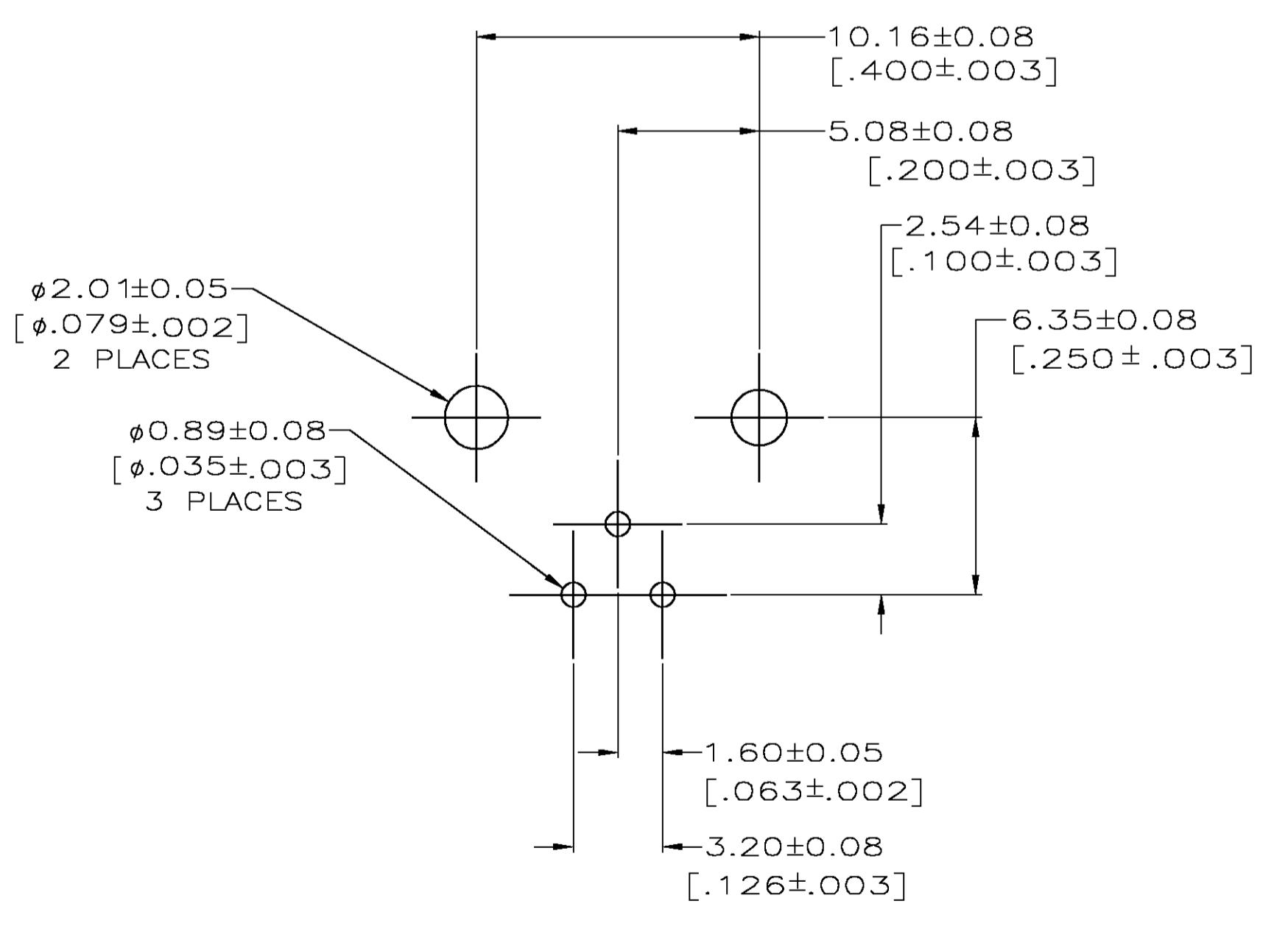


- 1 POLYESTER, PBT, 15% GLASS FIBER REINFORCED, NATURAL, PER MIL-M-24519.
- 2 ZINC PER QQ-Z-363.
- 3 POLYMETHYLPENTENE, GENERAL PURPOSE.
- 4 PHOSPHOR BRONZE PER QQ-B-750.
- 5 BRASS PER QQ-B-626.
- 6 BRASS PER ASTM-B-453.
- 7 NICKEL PL PER QQ-N-290, 3.81 μm [.000150] MINIMUM THICK
- 8 GOLD PL PER MIL-G-45204, 0.76 μm [.000030] MINIMUM THICK
- 9 TIN PL PER ASTM-B-545 3.81 μm [.000150] MINIMUM THICK



PCB CONFIGURATION

RECOMMENDED PANEL CUTOUT

228686-1
PART NO

THIS DRAWING IS A CONTROLLED DOCUMENT.		DMN R. E. RUTH	10/30/90	Tyco Electronics Corporation Harrisburg, PA 17105-3608
DIMENSIONS: INCHES		CHK A. GABANY	3-8-91	
TOLERANCES UNLESS OTHERWISE SPECIFIED:		APVD A. GABANY	3-8-91	NAME JACK ASSEMBLY, RIGHT ANGLE, PCB, SERIES TWIN BNC
0 PLG	± -	PRODUCT SPEC		APPLICATION SPEC
1 PLG	± -	SIZE	A1	RESTRICTED TO
2 PLG	± 0.20 [.008]	WEIGHT	00779	
3 PLG	± -	CUSTOMER DRAWING	228686	
4 PLG	± -	SCALE	5:1	
ANGLES	± -	SHEET	1 OF 1	
		REV	F	

单击下面可查看定价，库存，交付和生命周期等信息

[>>TE Connectivity\(泰科\)](#)