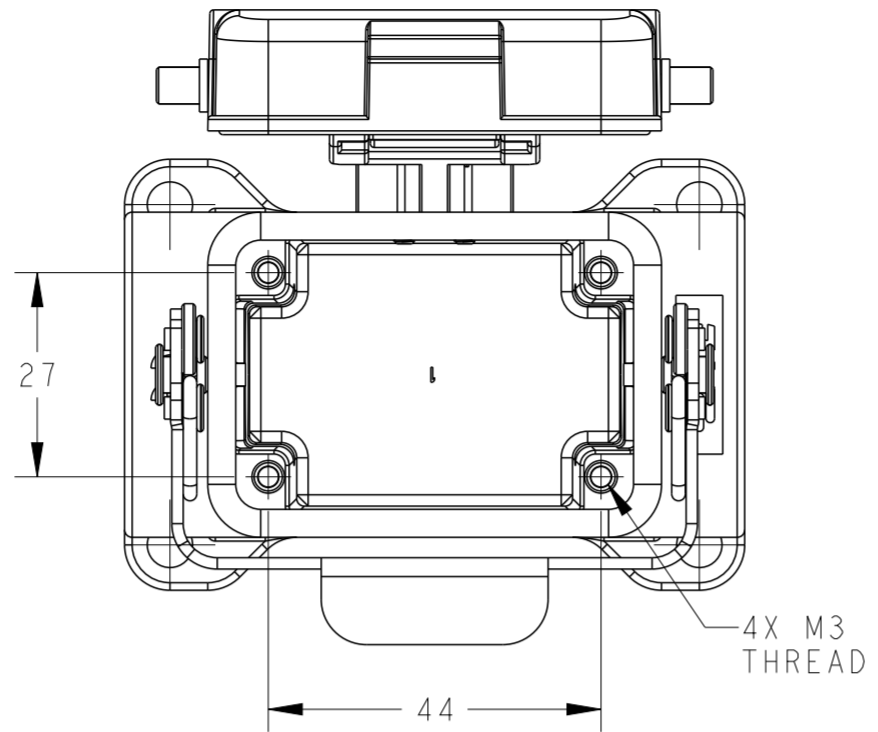
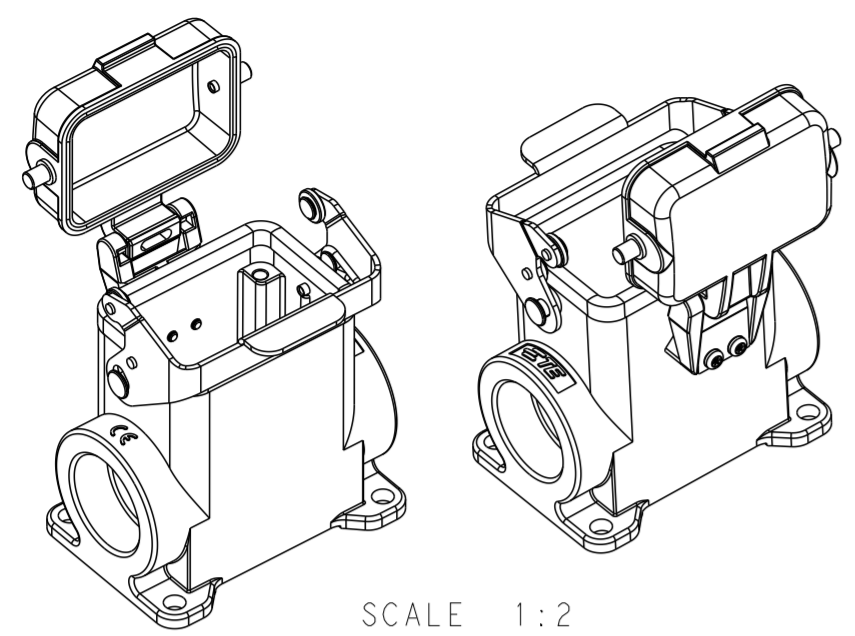


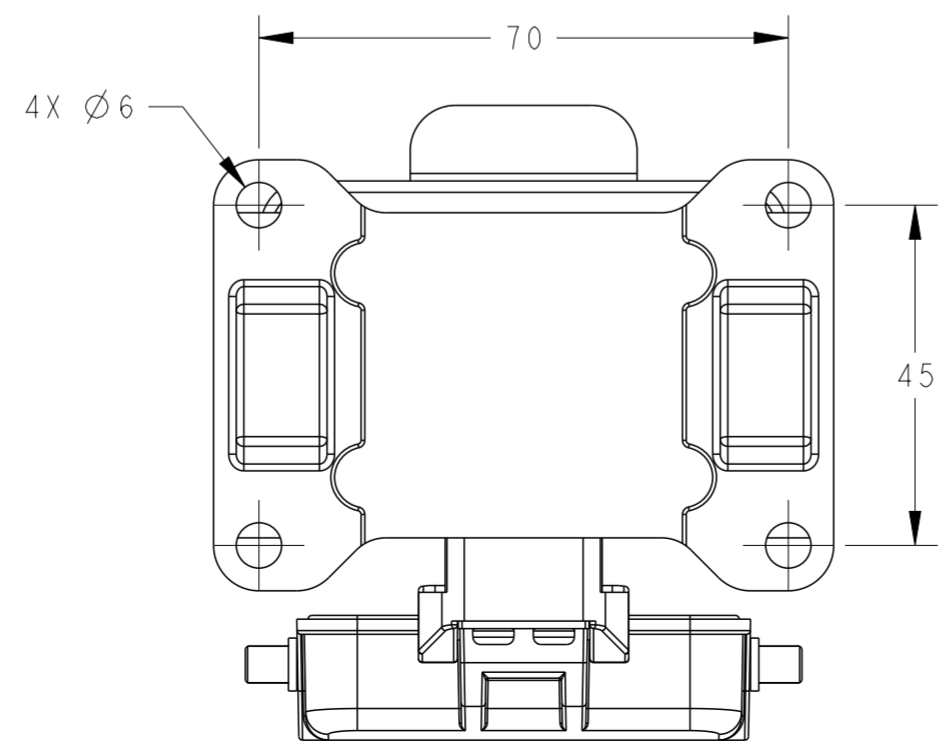
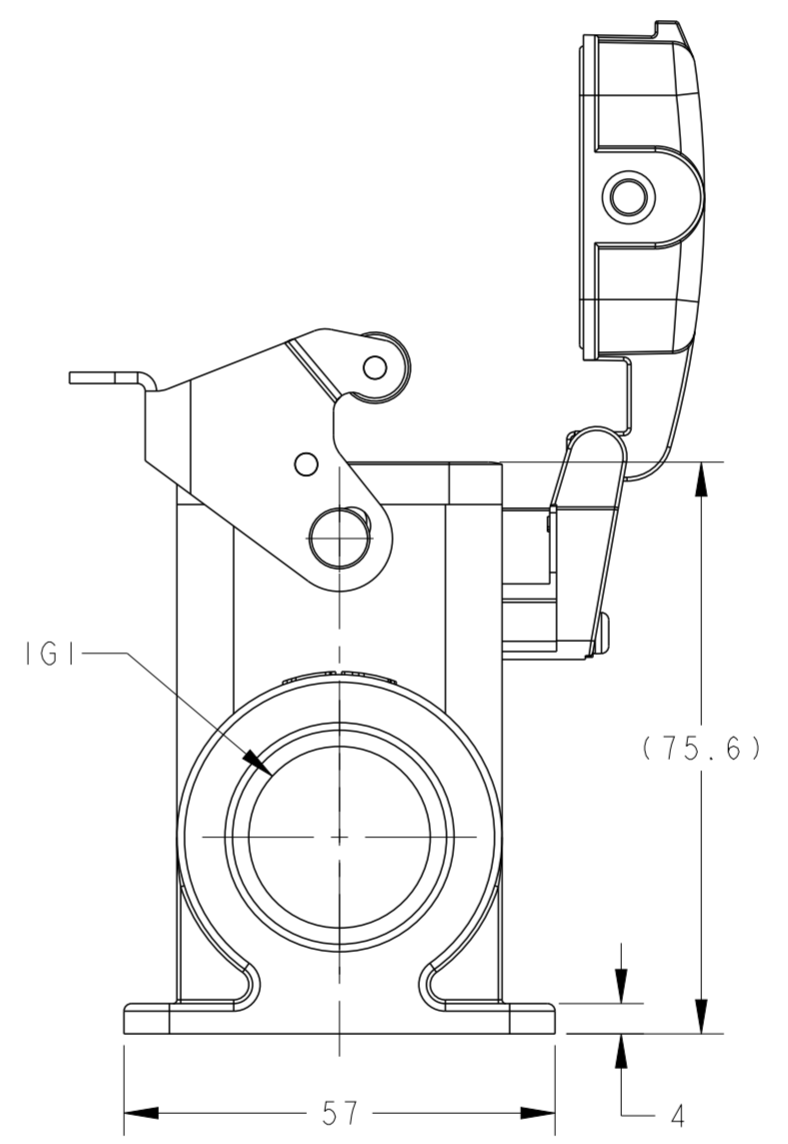
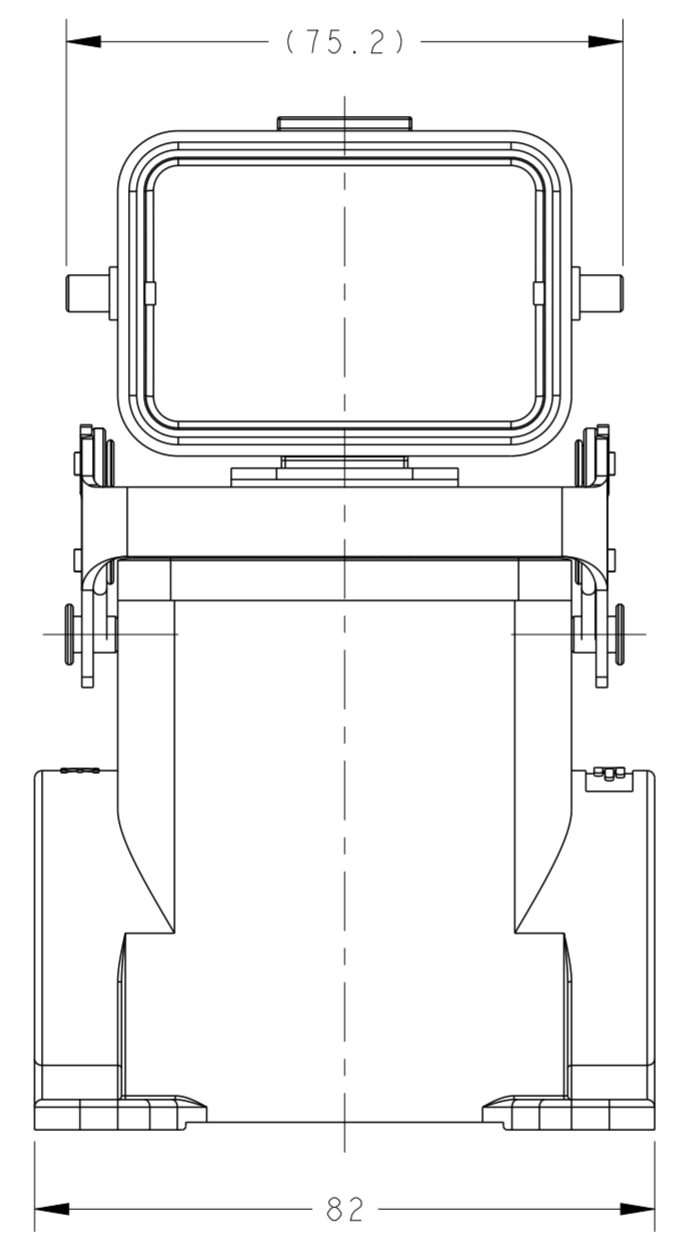
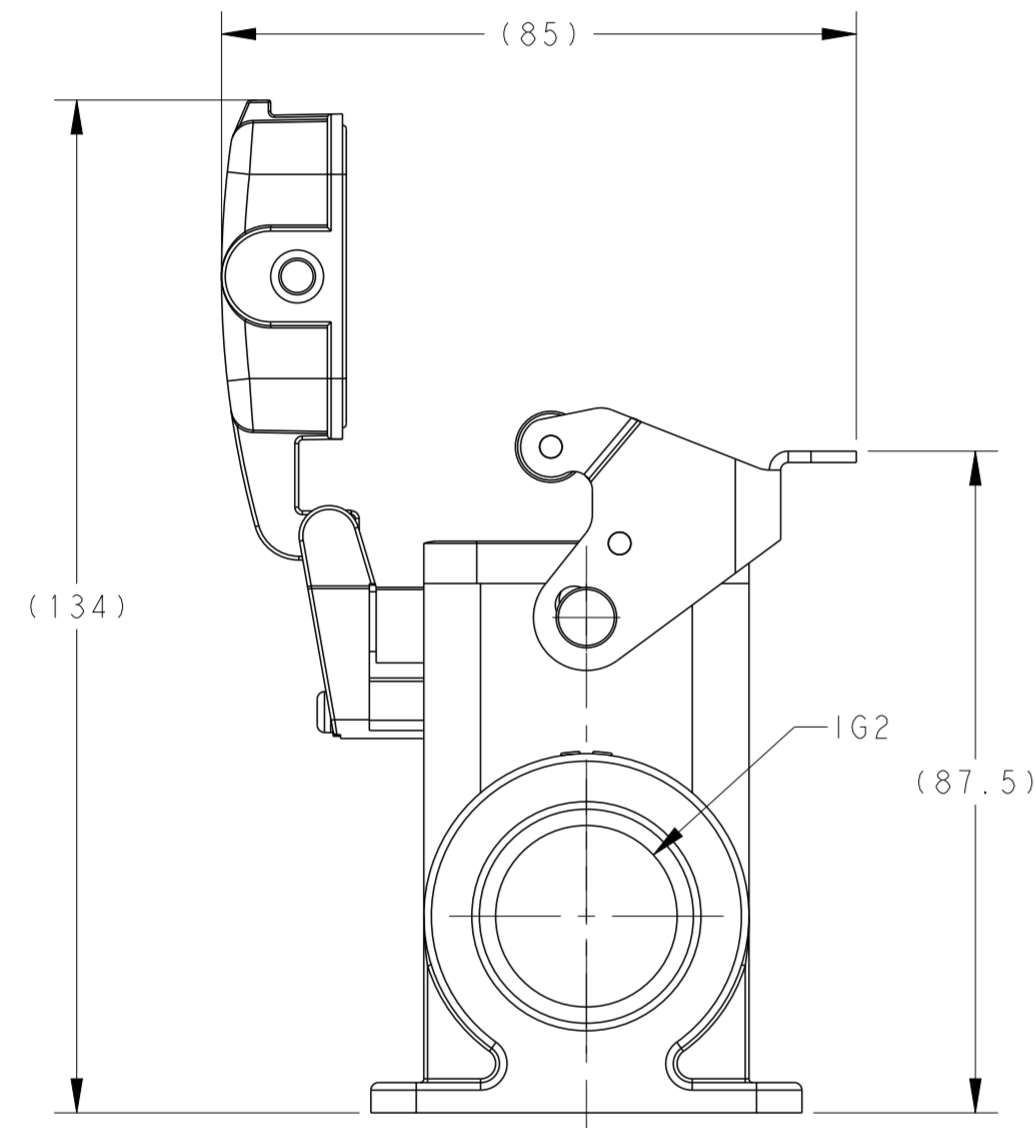
THIS DRAWING IS UNPUBLISHED. RELEASED FOR PUBLICATION 20
 © COPYRIGHT 20 BY - ALL RIGHTS RESERVED.

REVISIONS				
P	LTR	DESCRIPTION	DATE	APVD
	A	INITIAL	23JUN2015	DW CW
	A1	ECR-19-000748	17JAN2019	RG CW
	A2	ECR-20-012889	16SEP2020	DW CW
	B	ECR-20-007968	24NOV2020	WOR CW



NOTES:
 1. TECHNICAL CHARACTERISTICS:
 HOUSING MATERIAL: DIE CAST ALUMINIUM ALLOY
 SURFACE: POWDER COATED, GREY
 DEGREE OF PROTECTION: IP65 (MATED)

注释:
 1. 技术参数:
 表面安装外壳材料: 铝合金
 表面处理: 粉末涂层, 灰色
 防护等级: IP65(配合)



THIS DRAWING IS A CONTROLLED DOCUMENT.		DWN 23JUN2015 David Wang	TE Connectivity	
		CHK 23JUN2015 Chris Wang		
		APVD 23JUN2015 Xiang Xu	NAME H6B-SDRHMS-M/PG	
DIMENSIONS: mm		PRODUCT SPEC 108-137013	SIZE CAGE CODE DRAWING NO RESTRICTED TO	
TOLERANCES UNLESS OTHERWISE SPECIFIED:		APPLICATION SPEC 114-137013	A200779 C-T1660062XXX000	
0 PLC ±-		WEIGHT -	SCALE 1:1 SHEET 1 OF 2 REV B	
1 PLC ±-		CUSTOMER DRAWING		
2 PLC ±-				
3 PLC ±-				
4 PLC ±-				
ANGLES ±-				
FINISH -				
-				

THIS DRAWING IS UNPUBLISHED. RELEASED FOR PUBLICATION 20
 © COPYRIGHT 20 BY - ALL RIGHTS RESERVED.

REVISIONS					
P	LTR	DESCRIPTION	DATE	DWN	APVD
-		SEE SHEET 1	-	-	-

NOTES:
SEE SHEET 1

T1660062321-000	H6B-SDRHMS-PG21	H6B HOUSING,SURFACE MOUNTED, STAINLESS STEEL SINGLE LOCKING,PG21, HIGH CONSTRUCTION,METAL PROTECTION COVER, POWDER COATED,GREY H6B下壳,表面安装,不锈钢单扣,PG21,高结构,带金属保护盖,灰色粉末喷涂	PG21	-	
T1660062329-000	H6B-SDRHMS-PG29	H6B HOUSING,SURFACE MOUNTED, STAINLESS STEEL SINGLE LOCKING,PG29, HIGH CONSTRUCTION,METAL PROTECTION COVER, POWDER COATED,GREY H6B下壳,表面安装,不锈钢单扣,PG29,高结构,带金属保护盖,灰色粉末喷涂	PG29	-	H6B下壳 表面安装 不锈钢单扣,高结构 1个进线孔 带金属保护盖
T1660062332-000	H6B-SDRHMS-M32	H6B HOUSING,SURFACE MOUNTED, STAINLESS STEEL SINGLE LOCKING,M32, HIGH CONSTRUCTION,METAL PROTECTION COVER, POWDER COATED,GREY H6B下壳,表面安装,不锈钢单扣,M32,高结构,带金属保护盖,灰色粉末喷涂	M32	-	
T1660062325-000	H6B-SDRHMS-M25	H6B HOUSING,SURFACE MOUNTED, STAINLESS STEEL SINGLE LOCKING,M25, HIGH CONSTRUCTION,METAL PROTECTION COVER, POWDER COATED,GREY H6B下壳,表面安装,不锈钢单扣,M25,高结构,带金属保护盖,灰色粉末喷涂	M25	-	
T1660062425-000	H6B-SDRHMS-2M25	H6B HOUSING,SURFACE MOUNTED, STAINLESS STEEL SINGLE LOCKING,2M25, HIGH CONSTRUCTION,METAL PROTECTION COVER, POWDER COATED,GREY H6B下壳,表面安装,不锈钢单扣,2M25,高结构,带金属保护盖,灰色粉末喷涂	M25	M25	
T1660062421-000	H6B-SDRHMS-2PG21	H6B HOUSING,SURFACE MOUNTED, STAINLESS STEEL SINGLE LOCKING,2PG21, HIGH CONSTRUCTION,METAL PROTECTION COVER, POWDER COATED,GREY H6B下壳,表面安装,不锈钢单扣,2PG21,高结构,带金属保护盖,灰色粉末喷涂	PG21	PG21	H6B下壳 表面安装 不锈钢单扣,高结构 2个进线孔 带金属保护盖
T1660062429-000	H6B-SDRHMS-2PG29	H6B HOUSING,SURFACE MOUNTED, STAINLESS STEEL SINGLE LOCKING,2PG29, HIGH CONSTRUCTION,METAL PROTECTION COVER, POWDER COATED,GREY H6B下壳,表面安装,不锈钢单扣,2PG29,高结构,带金属保护盖,灰色粉末喷涂	PG29	PG29	
T1660062432-000	H6B-SDRHMS-2M32	H6B HOUSING,SURFACE MOUNTED, STAINLESS STEEL SINGLE LOCKING,2M32, HIGH CONSTRUCTION,METAL PROTECTION COVER, POWDER COATED,GREY H6B下壳,表面安装,不锈钢单扣,2M32,高结构,带金属保护盖,灰色粉末喷涂	M32	M32	
成品料号 ASSEMBLY PART NUMBER		成品描述 ASSEMBLY PART DESCRIPTION	IG1	IG2	REMARK

THIS DRAWING IS A CONTROLLED DOCUMENT.		DWN David Wang 23JUN2015	STE TE Connectivity	
		CHK Chris Wang 23JUN2015		
DIMENSIONS: mm		APVD Xiang Xu 23JUN2015	NAME H6B-SDRHMS-M/PG	
TOLERANCES UNLESS OTHERWISE SPECIFIED:		PRODUCT SPEC 108-137013	RESTRICTED TO -	
0 PLC ±-		APPLICATION SPEC 114-137013	SIZE A2	CAGE CODE 00779
1 PLC ±-		WEIGHT -	DRAWING NO. T1660062XXX000	
2 PLC ±-		CUSTOMER DRAWING	SCALE 1:1	SHEET 2 OF 2
3 PLC ±-				REV B
4 PLC ±-				
ANGLES ±-				
FINISH -				
-				

单击下面可查看定价，库存，交付和生命周期等信息

[>>TE Connectivity\(泰科\)](#)