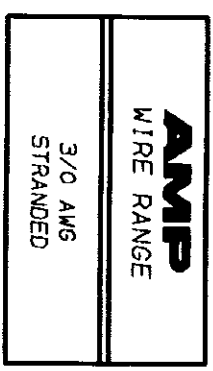


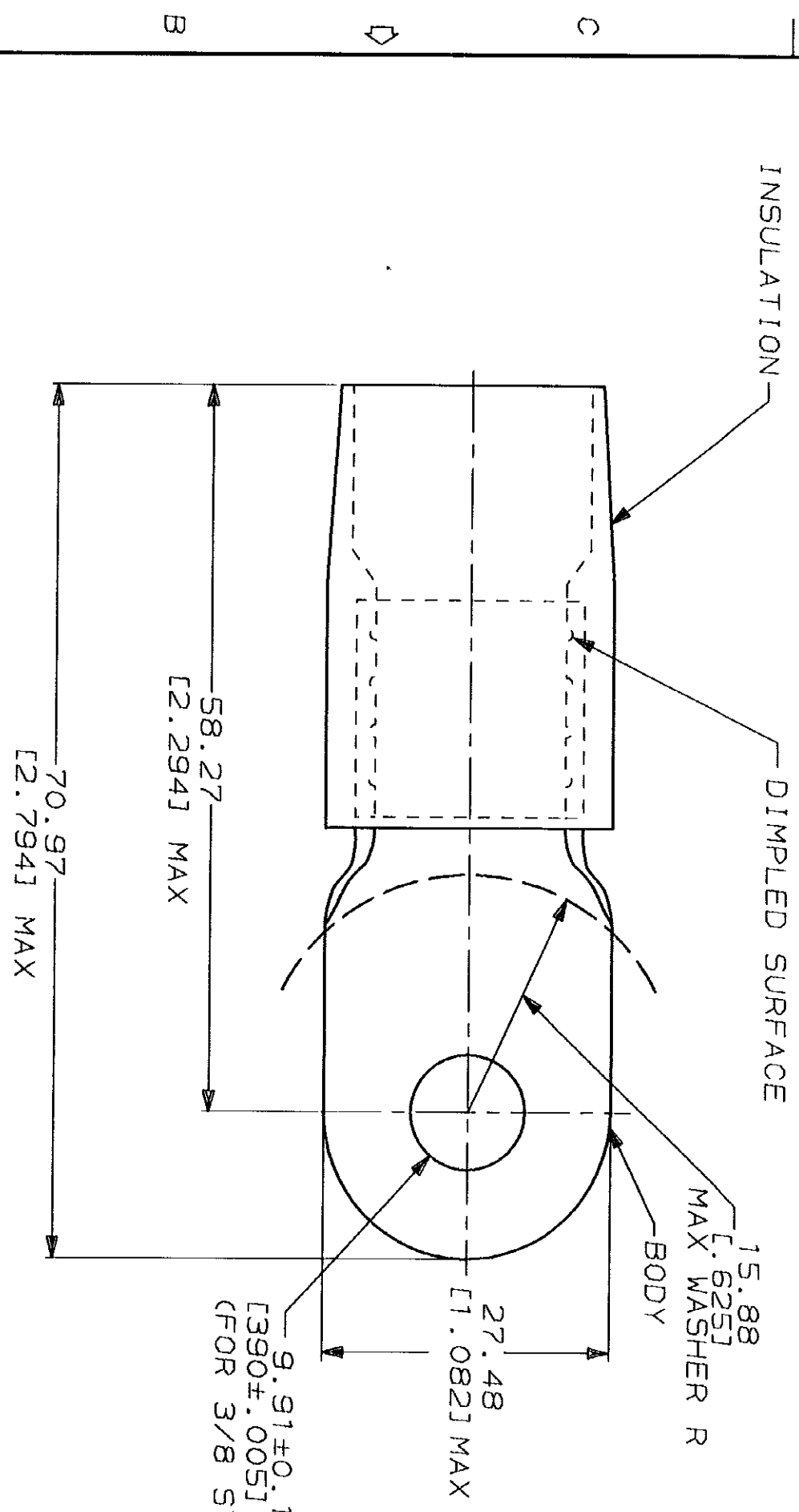
THIS DRAWING IS UNPUBLISHED. RELEASED FOR PUBLICATION BY AMP INCORPORATED. ALL INTERNATIONAL RIGHTS RESERVED. © COPYRIGHT 19 19

LOC	DIST	P	F	ZONE	LTR	DESCRIPTION	DATE	APPD
G	14				F	EC 0720-0279-93	6-21-93	BB



METRIOR
DIMENSIONS LISTED IN mm [INCHES]

1. TONGUE MATERIAL THK 2.31±0.08 [0.091±.003] FOR 17.27 [0.680] MAX WIRE INS DIA



AMP INCORPORATED CUSTOMER SERVICE SYSTEMS		MAX RECOMMENDED OPERATING TEMPERATURE: 105°C VOLTAGE RATING: - CIRCULAR MIL AREA: 76.3-96.3mm² [150,500-190,000] STRANDED		MS25036-138 CLASS 2 MILITARY P/N AND CLASS		DO NOT SCALE PRINT. UNLESS SPECIFIED DIMENSIONS IN INCHES TOLERANCES ON: 2 PLC DEC ± 0.20 (.008) 3 PLC DEC ± - ANGLES -		DR 6-21-93 S.S. GOLDEN CHK 6-21-93 R. HERSEY APPD 6-21-93 B. BARE APPD 6-21-93 M. ELLIS PRODUCT SPEC		LOOSE PC PACKAGE TYPE PART NO 324185			
FOR ADDITIONAL PRODUCT INFORMATION OR COPIES OF DRAWINGS AND TECHNICAL DOCUMENTS 1-800-522-6752 TOOLING ASSISTANCE CENTER 1-800-722-1111		FOR APPLICATION 1-800-526-5142		FINISH COPPER PER ASTM B-152 NYLON (MIL-M-20693) TYPE 1 COLOR: RED TIN PLATE PER MIL-T-10727		MATERIAL COPPER PER ASTM B-152 NYLON (MIL-M-20693) TYPE 1 COLOR: RED		NAME AMP AMP Incorporated Harrisburg, PA 17105-3608		TERMINAL, RING TONGUE, TERMINYL WIRE SIZE: 3/0 AWG		SCALE B 00779 NTS	DRAWING NO @=324185 SHEET 1 OF 1

AMP 1470-15 REV 3-92 23 JUN 1993 14:05:24 AMP11122 <UJ128A>DEPT1132>AMP11122>U.CUSTOMINYL CUSTOMER DRAWING

单击下面可查看定价，库存，交付和生命周期等信息

[>>TE Connectivity\(泰科\)](#)