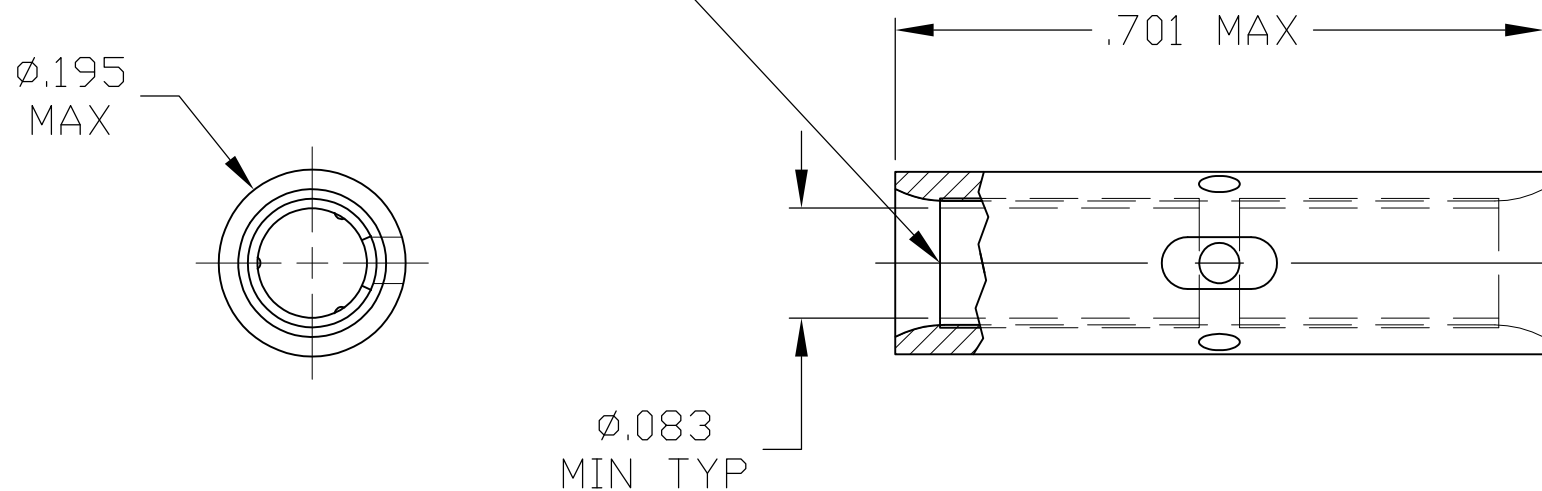


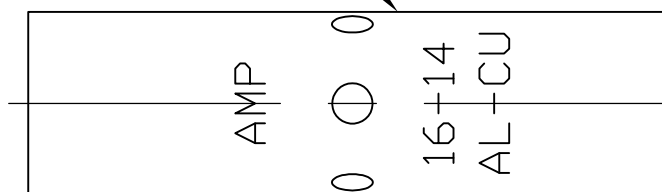
THIS DRAWING IS UNPUBLISHED. RELEASED FOR PUBLICATION
 © COPYRIGHT BY TYCO ELECTRONICS CORPORATION. ALL INTERNATIONAL RIGHTS RESERVED.

LOC	DIST	REVISIONS			
P	LTR	DESCRIPTION	DATE	DWN	APVD
—	—	E	REV PER ECO 09-013492	6-25-09	CT JW

INSERT
 MAT'L: BRASS PER ASTM-B-19
 FINISH: TIN PLATED .00030 MIN THK
 PER ASTM-B-545 OR 539



BODY
 MAT'L: COPPER PER ASTM-B-152
 FINISH: TIN PLATED
 PER ASTM-B-545 OR 539



52001
 PART NUMBER

THIS DRAWING IS A CONTROLLED DOCUMENT.		DWN C.C.THOMAS 6-25-09	Tyco Electronics Corporation Harrisburg, PA 17105-3608		
DIMENSIONS: INCHES		CHK 6-25-09 J.WEAVER	NAME SPLICE,BUTT,COPALUM,WIRE SIZE 16-14 STRANDED/SOLID		
TOLERANCES UNLESS OTHERWISE SPECIFIED:		APVD 6-25-09 J.WEAVER	PRODUCT SPEC —		
MATERIAL SEE CALLOUT		FINISH SEE CALLOUT	APPLICATION SPEC —	SIZE A3	CAGE CODE 00779
0 PLC ± -		WEIGHT —	DRAWING NO C-52001	RESTRICTED TO —	
1 PLC ± -		CUSTOMER DRAWING			
2 PLC ± -		SCALE 5:1	SHEET 1 OF 1	REV E	
3 PLC ± .005					
4 PLC ± -					
ANGLES ± -					

单击下面可查看定价，库存，交付和生命周期等信息

[>>TE Connectivity\(泰科\)](#)