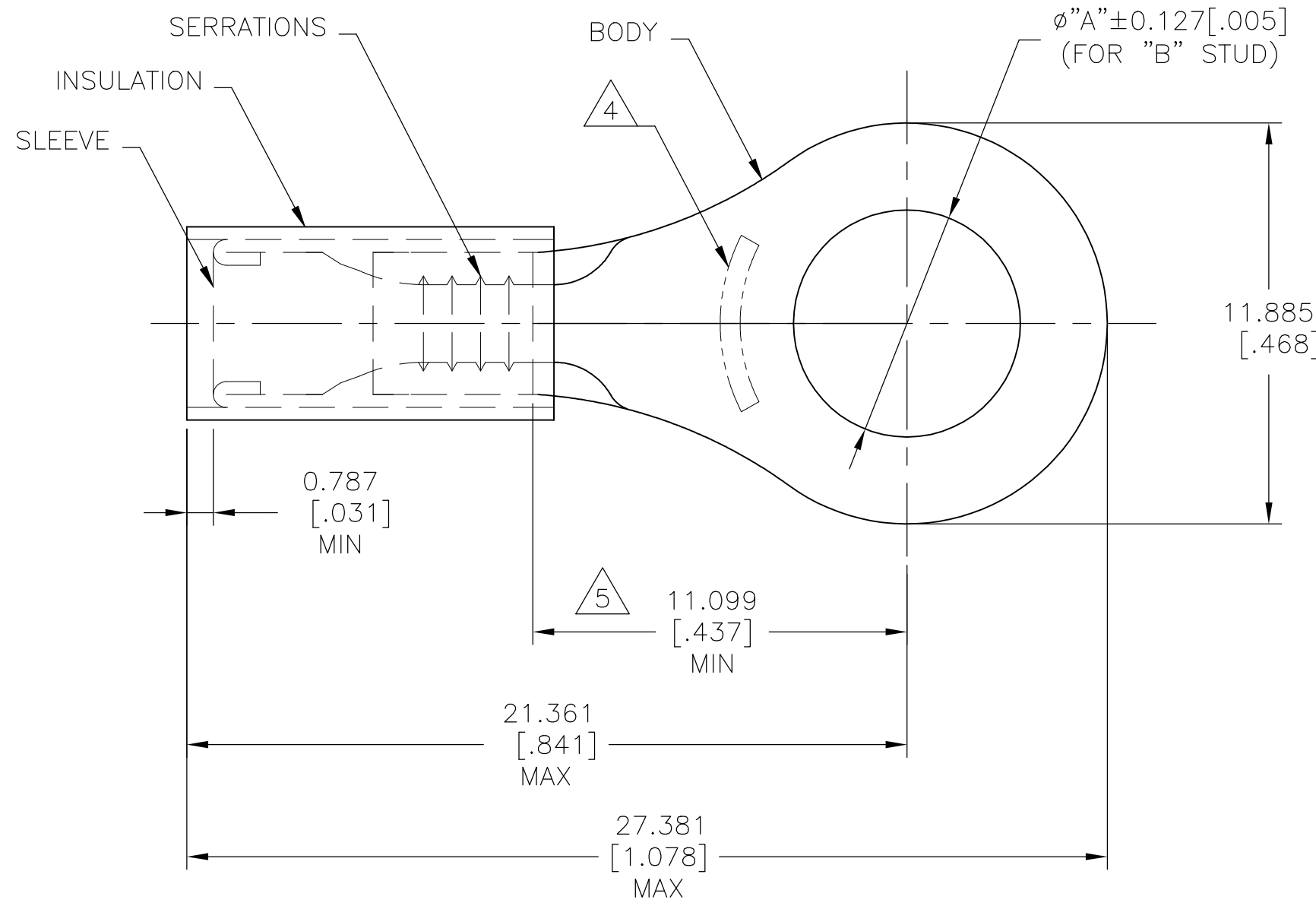


THIS DRAWING IS UNPUBLISHED. RELEASED FOR PUBLICATION
 © COPYRIGHT - By - ALL RIGHTS RESERVED.

| REVISIONS | | | | | |
|-----------|-----|---------------------------|-----------|-----|------|
| P | LTR | DESCRIPTION | DATE | DWN | APVD |
| | H3 | REVISED PER ECO-15-016493 | 26NOV2015 | NK | DR |
| | H4 | REVISED PER ECO-17-016703 | 29MAR2018 | RS | DR |



- 1 BODY: COPPER ASTM B152
NICKEL PL SAE AMS QQ-N-290
0.0076[.0003] AVG. EXT. THK
SLEEVE: COPPER ASTM B152
NICKEL PL SAE AMS QQ-N-290
[0.00076].00003 AVG EXT. THK
- 2 FOR 1.397[.055] TO 3.429[.135] WIRE
INSULATION DIA.
- 3 BODY MATERIAL THK: 0.787±0.051[.031±.002]
- 4 STAMP AMP 18-16* APPROX AS SHOWN
- 5 DIMENSION APPLIES FROM EDGE OF
METAL WIRE BARREL TO CENTER OF
STUD HOLE

| | | | | | |
|------|-------------|-----------------|------------------------------------|--------------|----------|
| 1000 | M6 [1/4] | 6.731 [.265] | PTFE (ASTM D3295) COLOR: ORANGE | LOOSE PIECE | 50837 |
| QTY | "B" | "A" | INSULATION MATERIAL | PACKAGE TYPE | PART NO. |

| | | | | | | | | | |
|---|--|--|--|---|-------------------------------------|---|-----------|------------|---------------|
| AMP INCORPORATED CUSTOMER SERVICE SYSTEMS | | MAX RECOMMENDED OPERATING TEMPERATURE: 288°C [550°F] | THIS DRAWING IS A CONTROLLED DOCUMENT. | | DWN 13OCT2015 NAGALAKSHMI K | STE TE Connectivity Ltd. | | | |
| FOR ADDITIONAL PRODUCT INFORMATION OR COPIES OF DRAWINGS AND TECHNICAL DOCUMENTS | PRODUCT INFORMATION CENTER 1-800-522-6752 | VOLTAGE RATING: 300V MAX | DIMENSIONS: mm [INCHES] | TOLERANCES UNLESS OTHERWISE SPECIFIED: REMOVE BURRS, BREAK SHARPE EDGES .015 R MAX | CHK 13OCT2015 MERCURIO MAURIZIO | | | NAME | |
| FOR APPLICATION TOOLING INFORMATION | TOOLING ASSISTANCE CENTER 1-800-722-1111 | CIRCULAR MIL AREA: 0.81-1.42mm ² [1,600-2,800] STRANDED WIRE ONLY | | 0 PLC ± - 1 PLC ± - 2 PLC ± - 3 PLC ± 0.127[.005] 4 PLC ± - ANGLES ± 5° | APVD 13OCT2015 MERCURIO MAURIZIO | WIRE TERMINAL PIDG, STRATO-THERM, RING TONGUE WIRE SIZE : 18-16 | | | |
| FOR ORDER ENTRY | 1-800-526-5142 | | MATERIAL | FINISH | PRODUCT SPEC | SIZE | CAGE CODE | DRAWING NO | RESTRICTED TO |
| | | | SEE TABLE | SEE TABLE | APPLICATION SPEC | A3 | 00779 | C-50837 | |
| | | | | | WEIGHT | CUSTOMER DRAWING | | SCALE | SHEET |
| | | | | | | NTS | | 1 OF 1 | REV H4 |

单击下面可查看定价，库存，交付和生命周期等信息

[>>TE Connectivity\(泰科\)](#)