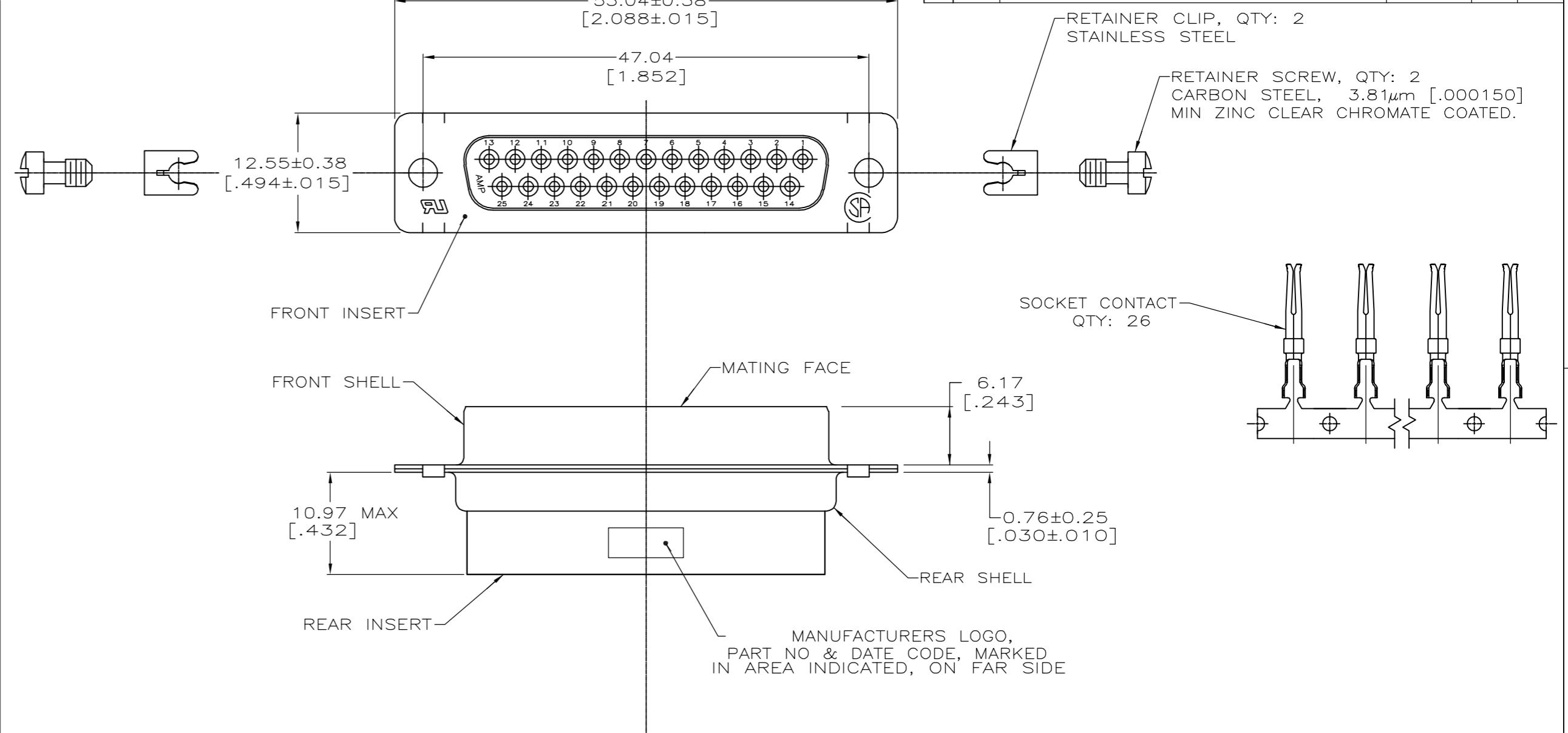
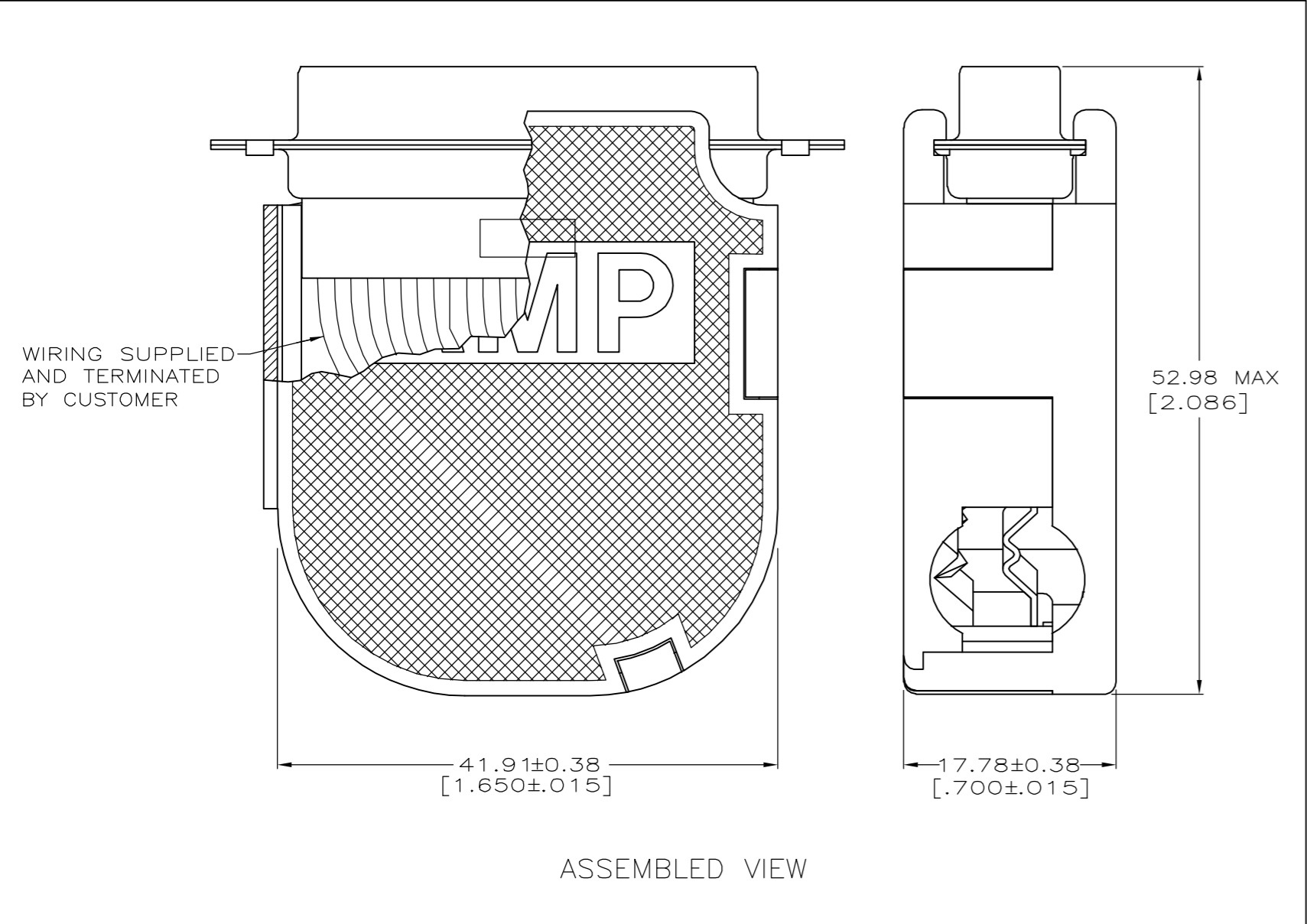
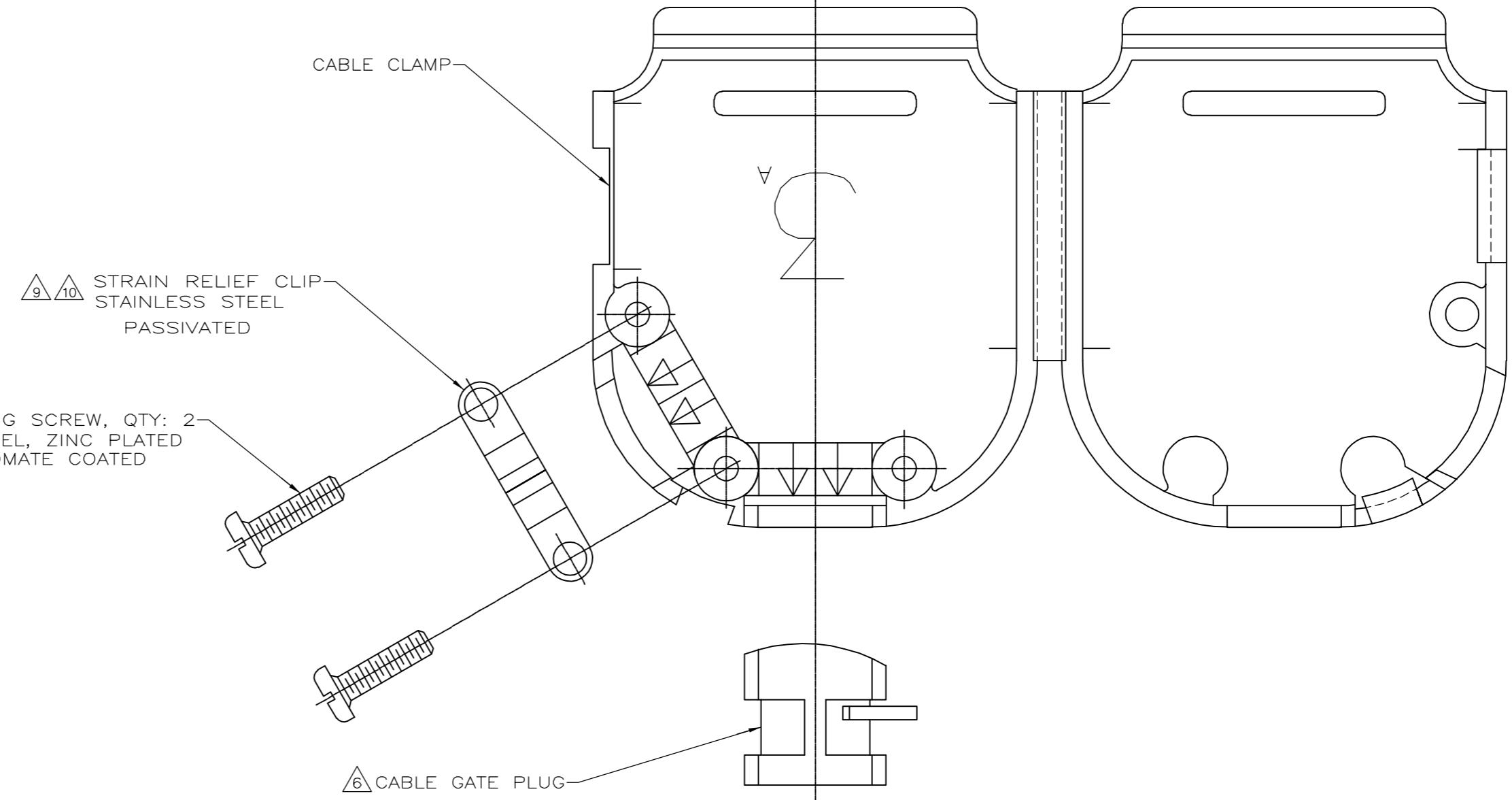


THIS DRAWING IS UNPUBLISHED. RELEASED FOR PUBLICATION  
 © COPYRIGHT BY TYCO ELECTRONICS CORPORATION. ALL RIGHTS RESERVED.

LOC		DIST		REVISIONS					
GP		00		P	LTR	DESCRIPTION	DATE	DWN	APVD
				A		REVISED PER EC 0S13-0266-05	18JUL06	BM	CR



- 1. CONTACTS ACCEPT 20-24 AWG RANGE.
  - △ INSERTS: NYLON, GLASS FILLED, UL 94V-0 RATED, BLACK.
  - △ CABLE CLAMP & CABLE GATE PLUG: POLYPROPYLENE, BLACK
  - △ CONTACTS: PHOSPHOR BRONZE.
  - △ SHELLS: CARBON STEEL.
  - △ CABLE GATE PLUG TO BE PLACED IN CABLE EXIT NOT BEING USED.
  - △ CONTACTS: GOLD FLASH FOR A LENGTH OF 2.54[.100] MIN FROM MATING END, 2.54µm[.000100] MIN TIN ON OPPOSITE END FOR A LENGTH OF 4.06 [.160] MIN FROM END OF INSULATION BARREL, BOTH OVER 0.76µm[.000030] MIN NICKEL ON ENTIRE CONTACT.
  - △ SHELLS: 5.08µm[.000200] MIN TIN OVER 2.54µm[.000100] MIN COPPER.
  - △ STRAIN RELIEF CLIP CAN BE REVERSED FOR PROPER INSTALLATION, DEPENDING ON SIZE OF CABLE DIAMETER.
  - △ STRAIN RELIEF CLIP AND SELF TAPPING SCREWS MAY BE USED AT EITHER CABLE EXIT.
11. CABLE DIAMETER RANGE = 4.58-11.68 [.180-.460].



THIS DRAWING IS A CONTROLLED DOCUMENT.		DWN	12-22-04	 Tyco Electronics Corporation Harrisburg, Pa 17105-3608
		CHK	12-22-04	
		J. GERACE		NAME
		M. WALMSLEY		RECEPTACLE KIT, UNASSEMBLED,
		108-40005		SIZE 3, 25 POSITION,
		114-10000 & 114-40030		AMPLIMITE HDP-20
		WEIGHT	-	RESTRICTED TO
		CUSTOMER DRAWING		SCALE 3:1 SHEET 1 OF 1 REV A

单击下面可查看定价，库存，交付和生命周期等信息

[>>TE Connectivity\(泰科\)](#)

[>>点击查看相关商品](#)