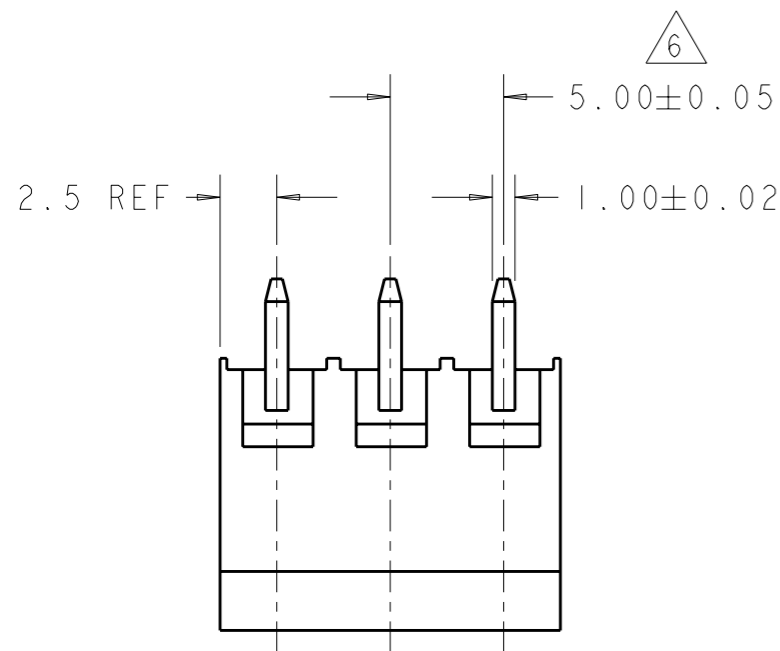
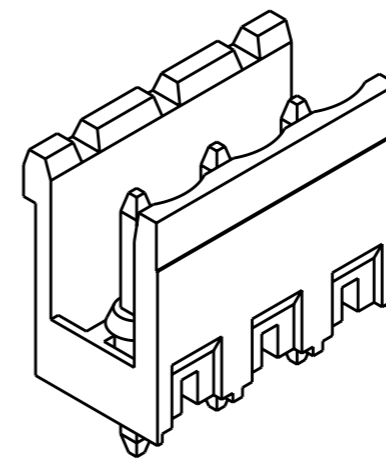
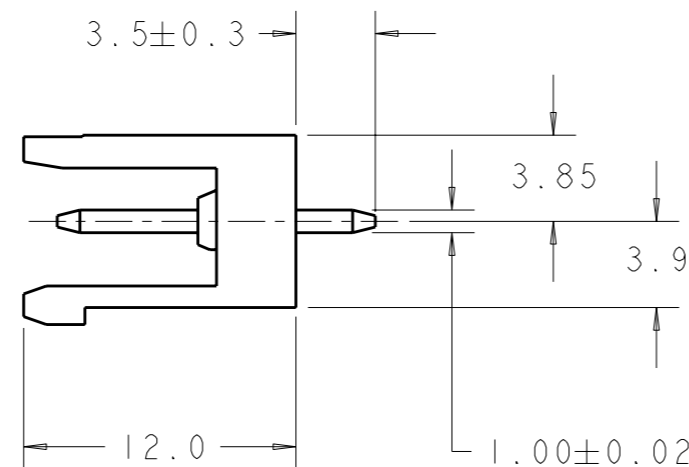
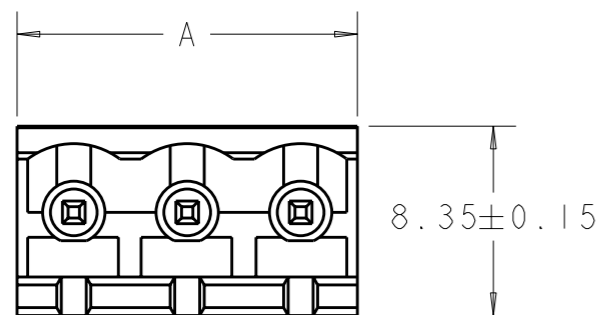


LOC	DIST	REVISIONS			
P	LTR	DESCRIPTION	DATE	DWN	APVD
FT	0	AI	REVISED PER ECO-12-007964	28APR2012	KH MS



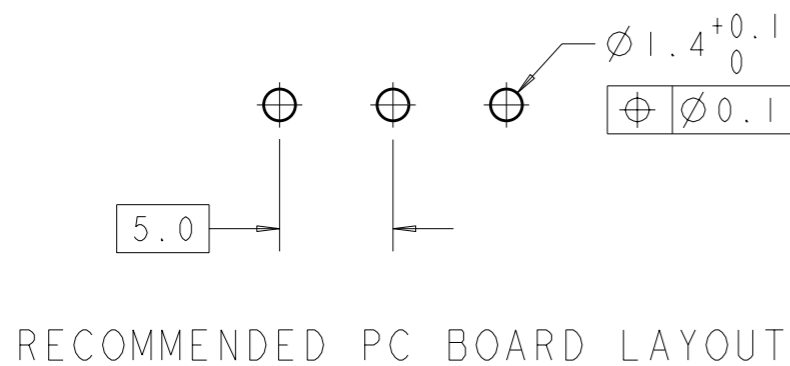
- 1. MATERIALS AND FINISH
HOUSING: PA 6-6, UL 94-V0, COLOR BLACK.
TERMINAL: COPPER ALLOY, TIN PLATED.
 - 2. SUITABLE FOR 1,6-2,4mm PC BOARD THICKNESS.
 - 3. END-TO-END STACKABLE WITHOUT LOSS OF CENTERLINE SPACING.
 - 4. RECOGNIZED UNDER THE COMPONENT PROGRAM OF UNDERWRITERS LABORATORIES INC., FILE N° E60677.
 - 5. IMQ CERTIFICATE WITH SURVEILLANCE IN CONFORMITY WITH IEC 998-1/998-2-1.
6. NOT CUMULATIVE TOLERANCE.



1546175-3 AS SHOWN

125.0	25	2-1546175-5
120.0	24	2-1546175-4
115.0	23	2-1546175-3
110.0	22	2-1546175-2
105.0	21	2-1546175-1
100.0	20	2-1546175-0
95.0	19	1-1546175-9
90.0	18	1-1546175-8
82.0	17	1-1546175-7
80.0	16	1-1546175-6
75.0	15	1-1546175-5
70.0	14	1-1546175-4
65.0	13	1-1546175-3
60.0	12	1-1546175-2
55.0	11	1-1546175-1
50.0	10	1-1546175-0
45.0	9	1546175-9
40.0	8	1546175-8
35.0	7	1546175-7
30.0	6	1546175-6
25.0	5	1546175-5
20.0	4	1546175-4
15.0	3	1546175-3
10.0	2	1546175-2

A	NO OF POSN	PART NUMBER
---	------------	-------------



THIS DRAWING IS A CONTROLLED DOCUMENT.		DWN S. WELDON 16JUL2002	TE Connectivity		
DIMENSIONS: mm		CHK C. RICHARD 16JUL2002			
TOLERANCES UNLESS OTHERWISE SPECIFIED:		APVD C. RICHARD 16JUL2002			
0 PLC ±- 1 PLC ±.2 2 PLC ±.25 3 PLC ±- 4 PLC ±- ANGLES ±2		PRODUCT SPEC 108-20166	NAME TERMINAL BLOCK HEADER ASSEMBLY 180 DEGREE OPEN ENDS, STACKING 5mm PITCH		
MATERIAL		APPLICATION SPEC 114-20079	SIZE A3	CAGE CODE 00779	DRAWING NO C-1546175
FINISH		WEIGHT -	RESTRICTED TO -		
		CUSTOMER DRAWING		SCALE 3:1	SHEET 1 OF 1
				REV AI	

单击下面可查看定价，库存，交付和生命周期等信息

[>>TE Connectivity\(泰科\)](#)