

4

3

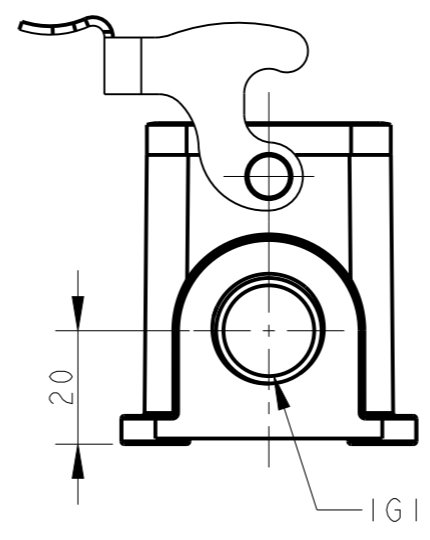
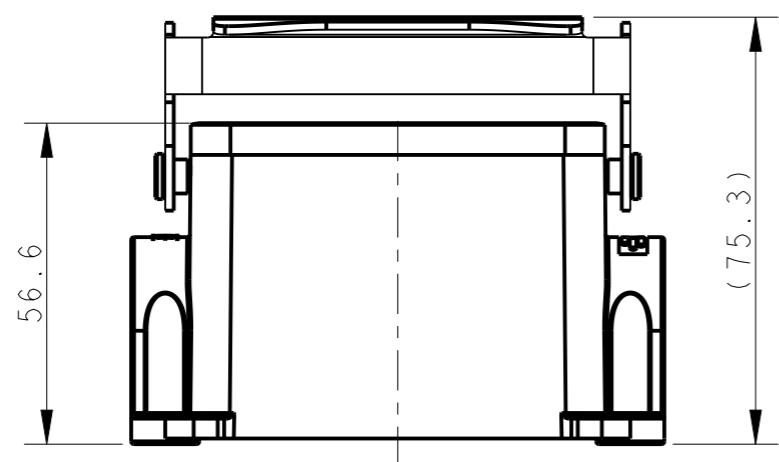
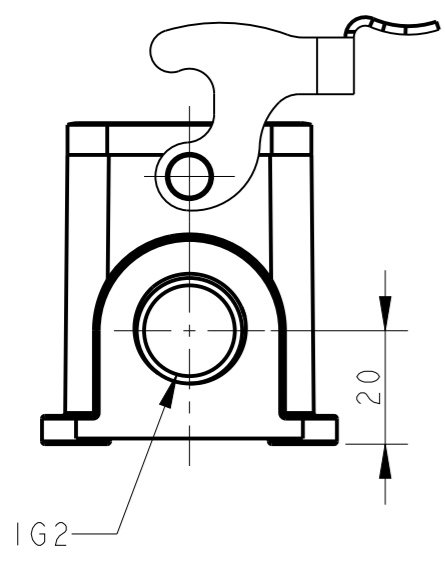
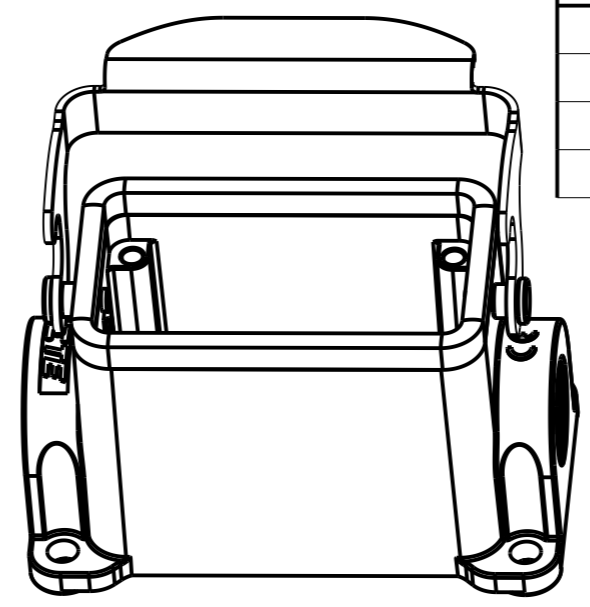
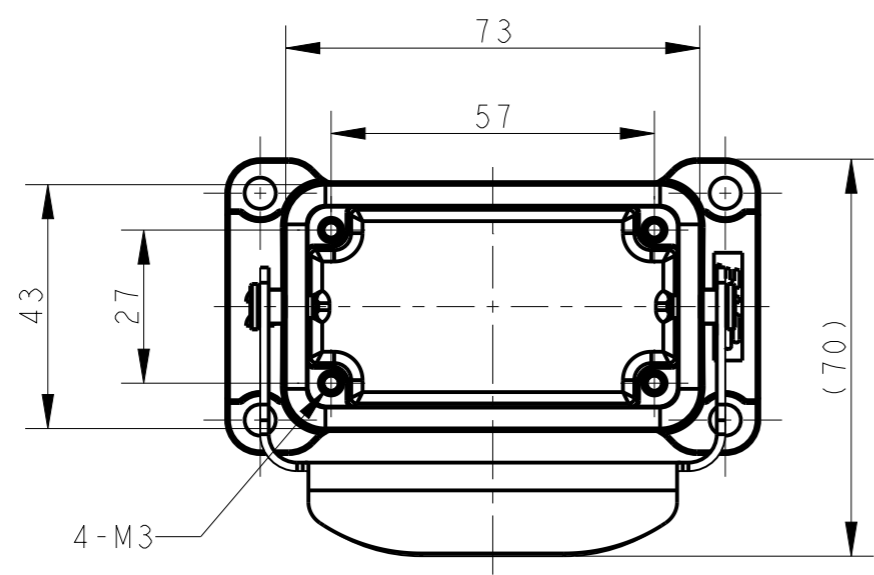
2

1

THIS DRAWING IS UNPUBLISHED. RELEASED FOR PUBLICATION 20  
© COPYRIGHT 20 BY - ALL RIGHTS RESERVED.

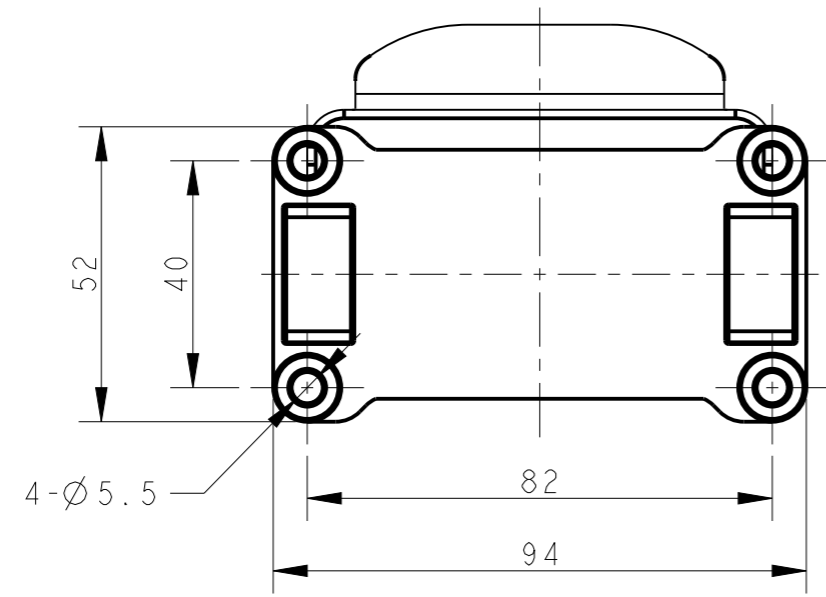
REVISIONS

P	LTR	DESCRIPTION	DATE	DWN	APVD
A		INITIAL RELEASE	08JUL2015	DL	CW
B		ECR-20-008181	14JUL2020	WQR	CW



NOTES:  
 1. TECHNICAL CHARACTERISTICS:  
 BODY MATERIAL: DIE CAST ALUMINIUM ALLOY  
 SURFACE TREATMENT: POWDER-COATED, GRAY  
 DEGREE OF PROTECTION: IP65 (MATED)

注释:  
 1. 技术参数:  
 主体材料: 铝合金  
 表面处理: 粉末喷涂, 灰色  
 防护等级: IP65(配合)



TI610102116-000	H10B-SGRS-LB-PG16	PG16	-
TI610102120-000	H10B-SGRS-LB-M20	M20	-
TI610102121-000	H10B-SGRS-LB-PG21	PG21	-
TI610102125-000	H10B-SGRS-LB-M25	M25	-
TI610102216-000	H10B-SGRS-LB-2PG16	PG16	PG16
TI610102220-000	H10B-SGRS-LB-2M20	M20	M20
TI610102221-000	H10B-SGRS-LB-2PG21	PG21	PG21
ASSEMBLY PART NUMBER	ASSEMBLY PART DESCRIPTION	IG1	IG2

THIS DRAWING IS A CONTROLLED DOCUMENT.		DWN 08JUL2015 DAVID LI	TE Connectivity NAME H10B-SGRS-LB-PG/M	
DIMENSIONS: mm		CHK 08JUL2015 CHRIS WANG		
TOLERANCES UNLESS OTHERWISE SPECIFIED:		APVD 08JUL2015 XU XIANG		
0 PLC ±- 1 PLC ±- 2 PLC ±- 3 PLC ±- 4 PLC ±- ANGLES ±-		PRODUCT SPEC 108-137013		
MATERIAL TBD	FINISH -	APPLICATION SPEC 114-137013	WEIGHT -	SIZE A3
		CUSTOMER DRAWING	SCALE 3:4	DRAWING NO C-TI610102XXX000
				RESTRICTED TO
				SHEET 1 OF 1
				REV B

单击下面可查看定价，库存，交付和生命周期等信息

[>>TE Connectivity\(泰科\)](#)