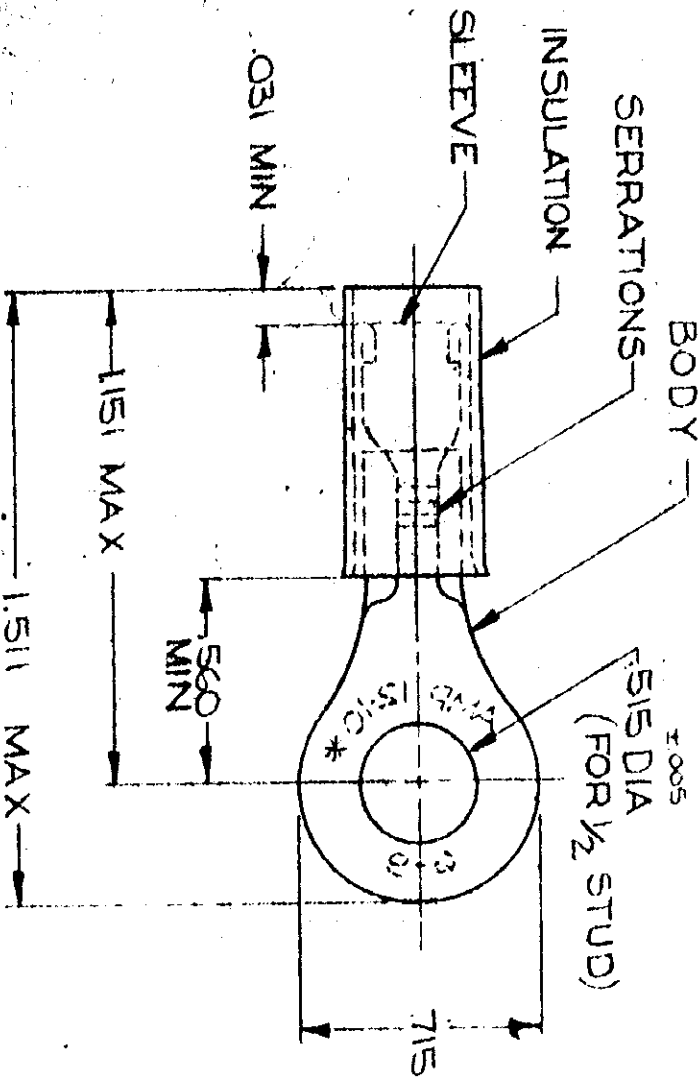


DRAWING MADE IN AMERICAN PROJECTION

LOC 6
PRINT DIST 14
5

©1964 BY AMP INCORPORATED. ALL RIGHTS RESERVED. AMP PRODUCTS COVERED BY PATENTS AND/OR PATENTS PENDING.

REVISIONS			
LTR	DESCRIPTION	DATE	APPROVED
3	REDRAWN & REV.	8-6-30	FCY



RETURN TO FILE

FOR .150 TO .230 WIRE INSULATION DIA.
TONGUE MATERIAL THK. = .040 ±.002

QTY	DESCRIPTION	PART NO.	MATERIAL & FINISH
1	WIRE TERMINAL	331467	BODY & SLEEVE: COPPER (99-C-576) TIN PL (MIL-T-10727) INSULATION: NYLON (MIL-M-20893) TYPE I COLOR: YELLOW

UNLESS OTHERWISE SPECIFIED DIMENSIONS ARE IN INCHES
TOLERANCES ON:
DECIMALS ±.008
ANGLES ±.5

CONTRACT NO. 331467

DR: *[Signature]* 3-17-71
CHK: *[Signature]* 3-17-71
APPD: *[Signature]* 3-17-71
REL: *[Signature]* 3-17-71
DSGN APPD: *[Signature]* 3-17-71
OTHER APPD:

NAME: AMP
WIRE TERMINAL
P.I.D.S.-RING TONGUE
WIRE SIZE: 12-10
AMP INCORPORATED
HARRISBURG, PENNSYLVANIA

SEE TABLE

SIZE CODE IDENT NO. NUMBER
A 00779 331467

SCALE: INCHES SHEET 1 OF 1

331467

单击下面可查看定价，库存，交付和生命周期等信息

[>>TE Connectivity\(泰科\)](#)