

THIS DRAWING IS UNPUBLISHED.

RELEASED FOR PUBLICATION

ALL RIGHTS RESERVED.

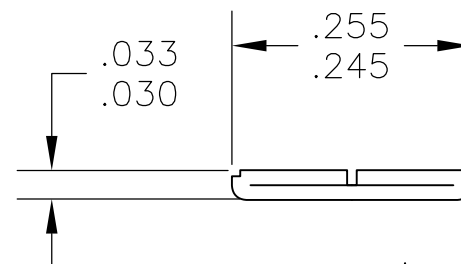
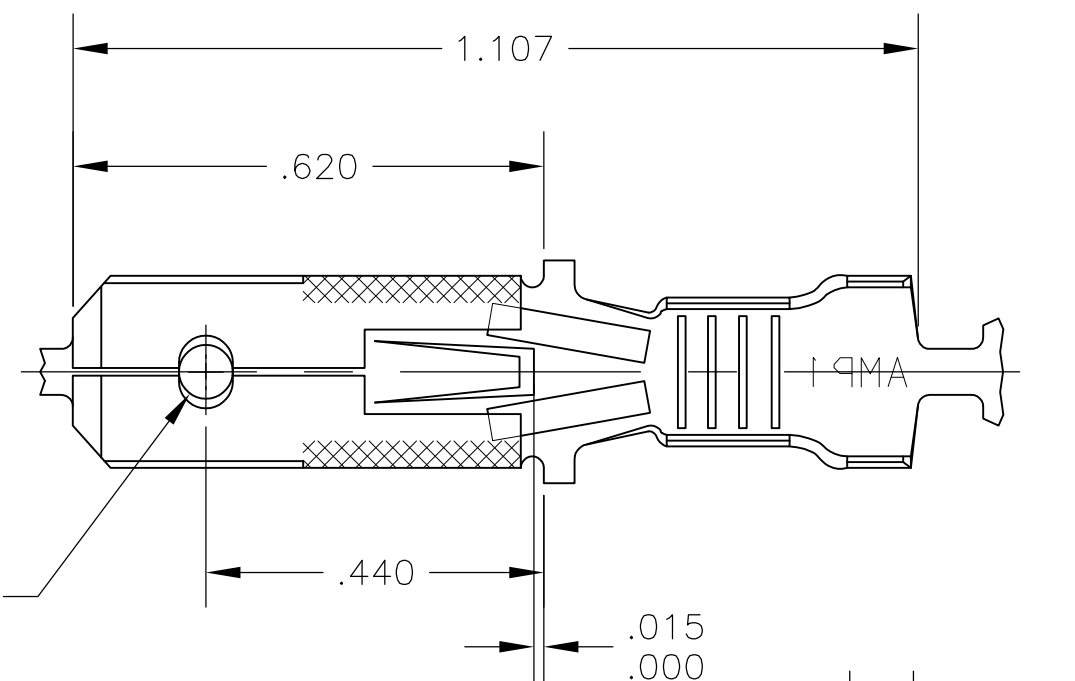
© COPYRIGHT - By -

LOC AF DIST 50

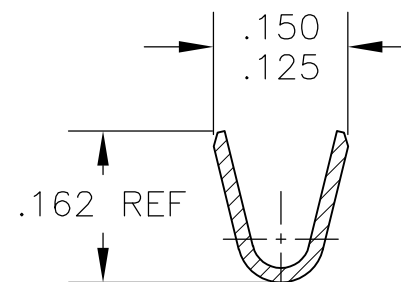
REVISIONS

P	LTR	DESCRIPTION	DATE	DWN	APVD
	AC	REVISED PER ECR-13-005733	22AUG13	KH	PD

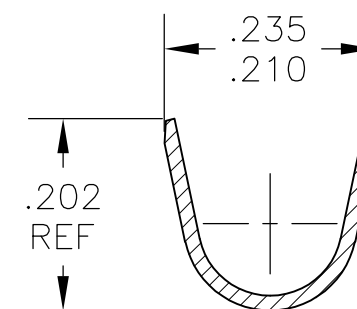
- 1 CONTINUOUS STRIP ON REELS.
- 2 WIRE SIZE IS #18-#14.
- 3 INSULATION RANGE IS .100-.170 DIA.
- 4 FOREIGN PRODUCTION ONLY.
- 5 PREPRODUCTION - FASR REQUIRED.
- 6 PRELIMINARY - NOT FOR PRODUCTION.



SECTION A-A SCALE 5:1

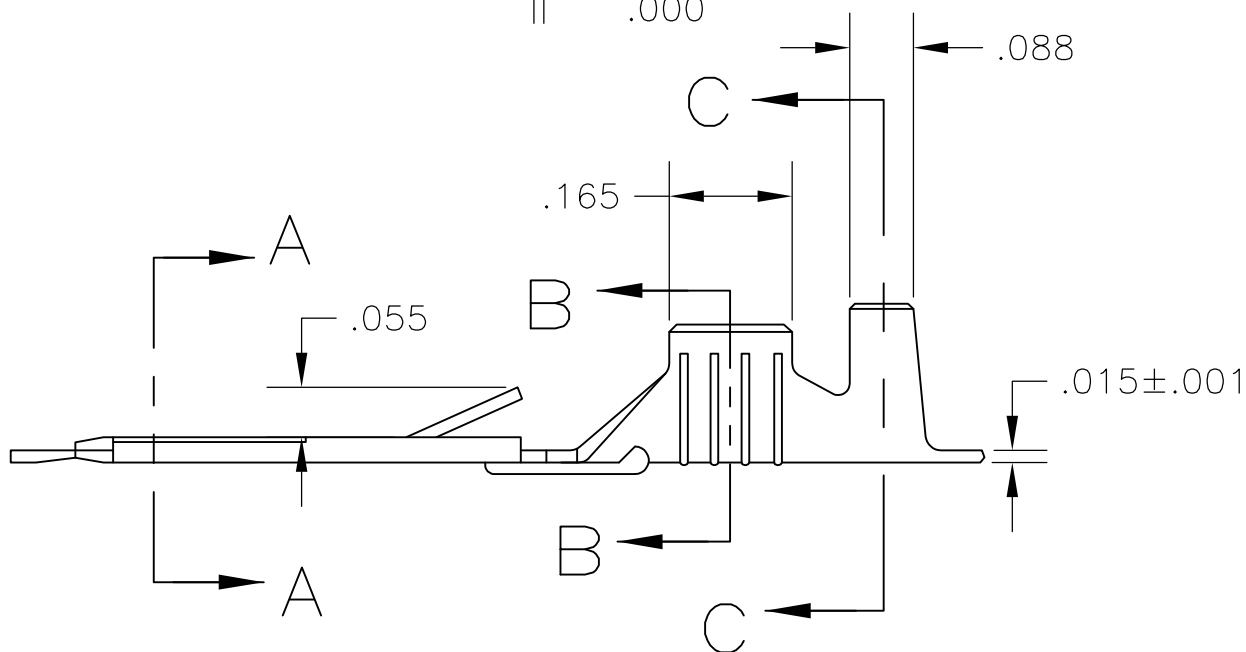


SECTION B-B SCALE 5:1



SECTION C-C SCALE 5:1

.067±.005 DIA HOLE



	NICKEL	BRASS	6	42460-9
	PRE-TIN	BRASS	4 5	42460-8
OBSOLETE	SILVER .000120 MIN	#2H BRASS		42460-7
	-	#2H PHOS BRZ		42460-6
	PRE-TIN	BRASS		42460-5
OBSOLETE	TIN .000080 MIN	#2H PHOS BRZ		42460-4
	SILVER .000120 MIN			42460-3
	TIN	BRASS		42460-2
	-			42460-1
	FINISH	MATERIAL		PART NO

THIS DRAWING IS A CONTROLLED DOCUMENT.		DWN JR RUTH 9/17/90	STE TE Connectivity		
DIMENSIONS: INCHES		CHK MS FEHER 9/17/90			
TOLERANCES UNLESS OTHERWISE SPECIFIED:		APVD R KUZO 9/17/90	NAME		
0 PLC ± -		PRODUCT SPEC	TAB, FASTIN-FASTON, .250 SERIES		
1 PLC ± -			SIZE CAGE CODE DRAWING NO RESTRICTED TO		
2 PLC ± -			A3 00779 C-42460		
3 PLC ± .015		APPLICATION SPEC	SCALE SHEET REV		
4 PLC ± -			4:1 1 OF 1 AC		
ANGLES ± -		WEIGHT -			
MATERIAL SEE TABLE		FINISH SEE TABLE	CUSTOMER DRAWING		

单击下面可查看定价，库存，交付和生命周期等信息

[>>TE Connectivity\(泰科\)](#)