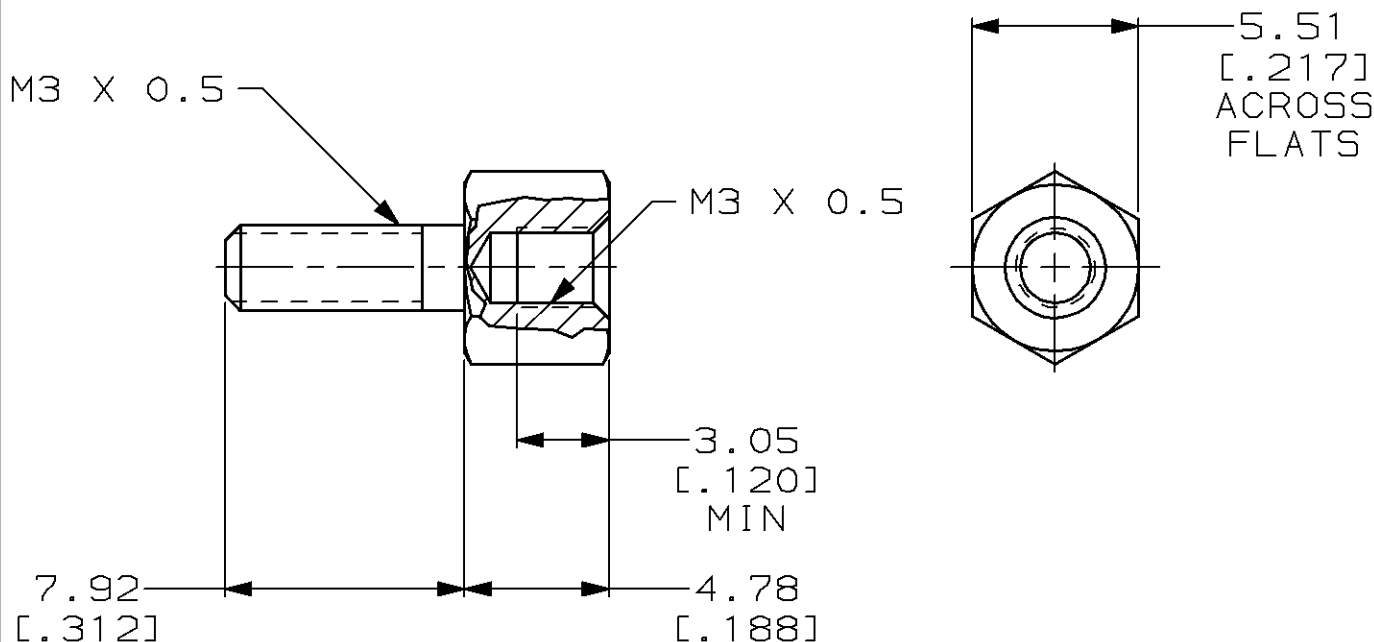


LOC	DIST	REVISIONS					
BD	48	P	LTR	DESCRIPTION	DATE	DWN	APVD
		0		RELEASED FOR CUSTOMER	13 OCT 98	-	-



- 1 5.08µm [.000200] MIN ZINC PLATED PER ASTM B633, YELLOW CHROMATE.
- 2 5.08µm [.000200] MIN ZINC PLATED PER ASTM B633, CLEAR CHROMATE.

2	207882-3
1	207882-2
FINISH	PART NUMBER

THIS DRAWING IS UNPUBLISHED. BY AMP INCORPORATED. ALL RIGHTS RESERVED.

DIMENSIONS: mm  TOLERANCES UNLESS OTHERWISE SPECIFIED: 0 PLC ±- 1 PLC ±- 2 PLC ±0.13 [.005] 3 PLC ±- 4 PLC ±- ANGLES ±-	DWN	B. CARBO	13 OCT 98	MATERIAL	CARBON STEEL	FINISH	SEE TABLE
	CHK	C. OBERMAN	13 OCT 98	<b>AMP</b> AMP Incorporated Harrisburg, PA 17105-3608			
APVD	D. KELLER	13 OCT 98					
PRODUCT SPEC	NAME						
APPLICATION SPEC	SCREWLOCK, FEMALE, HD SERIES, METRIC, AMPLIMITE						
WEIGHT	SIZE	A4	CAGE CODE	00779	DRAWING NO	C= 207882	RESTRICTED TO
CUSTOMER DRAWING				SCALE	4:1	SHEET	1 OF 1
				REV	0		

单击下面可查看定价，库存，交付和生命周期等信息

[>>TE Connectivity\(泰科\)](#)