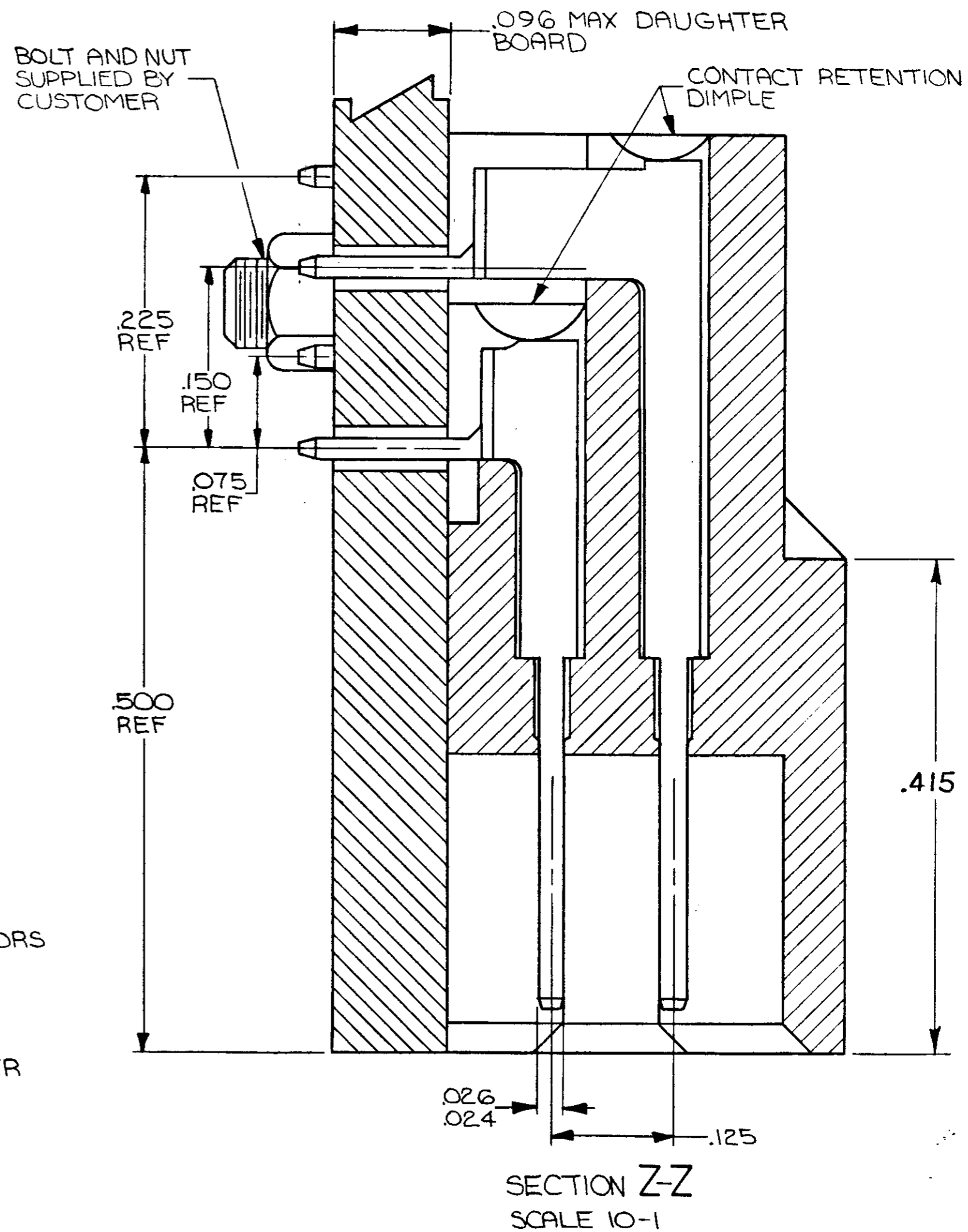
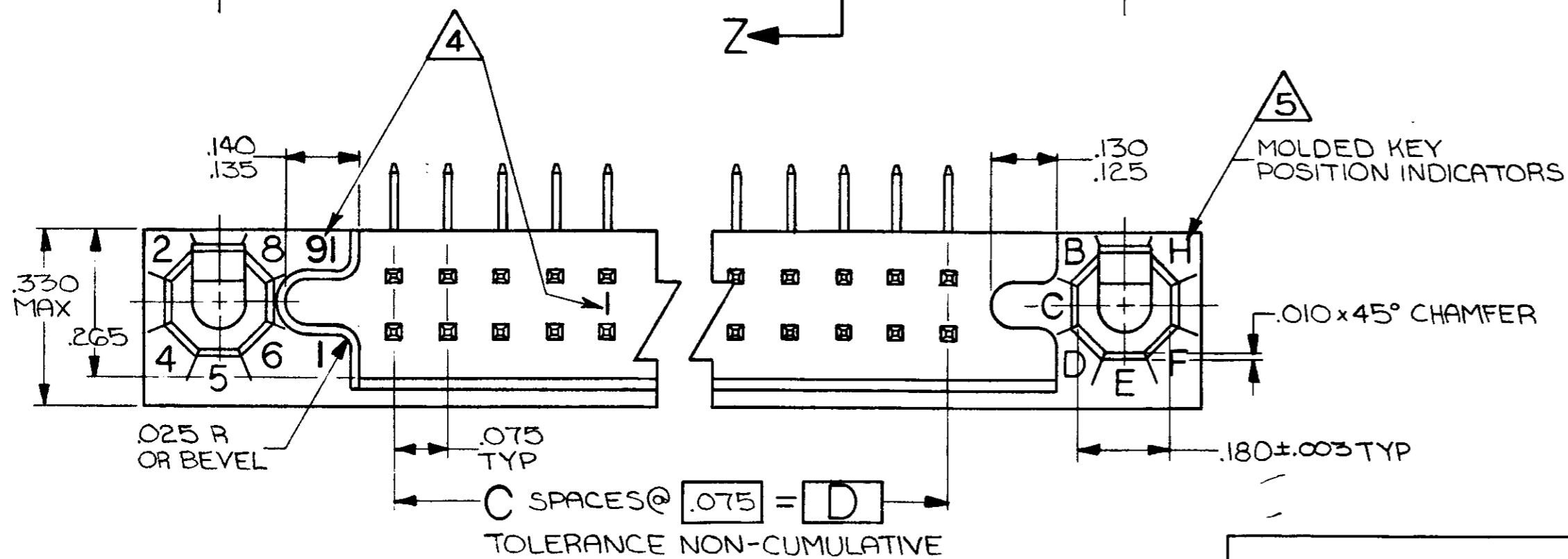
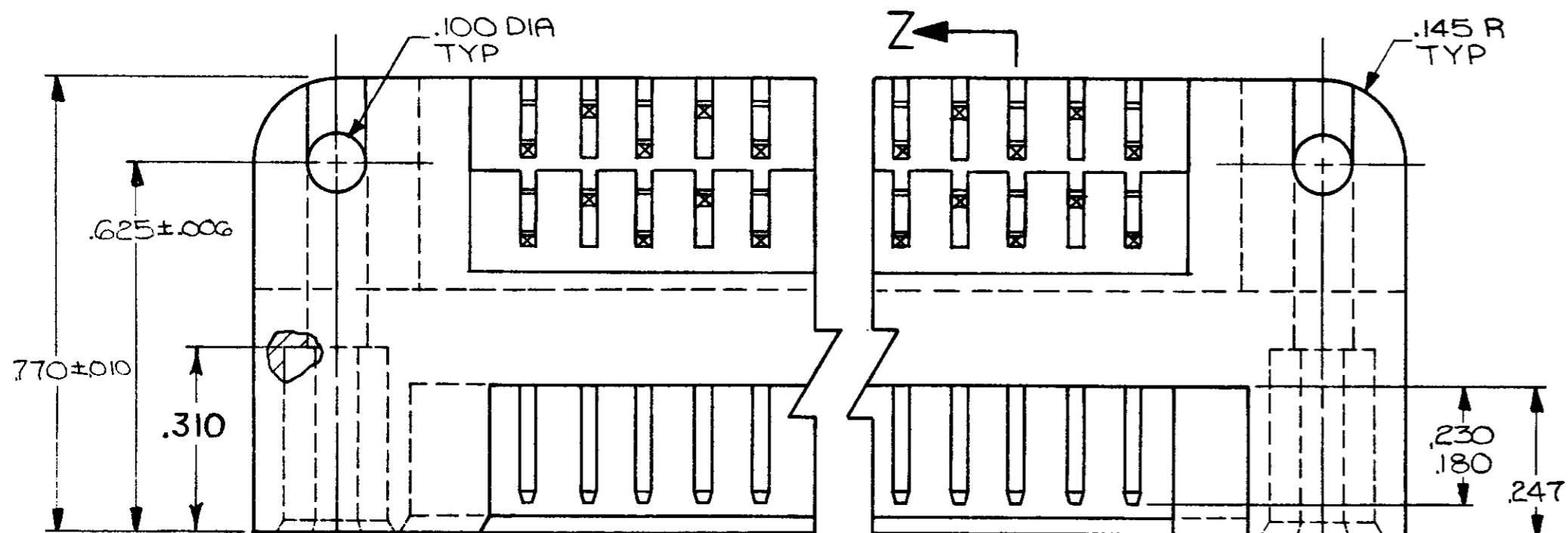
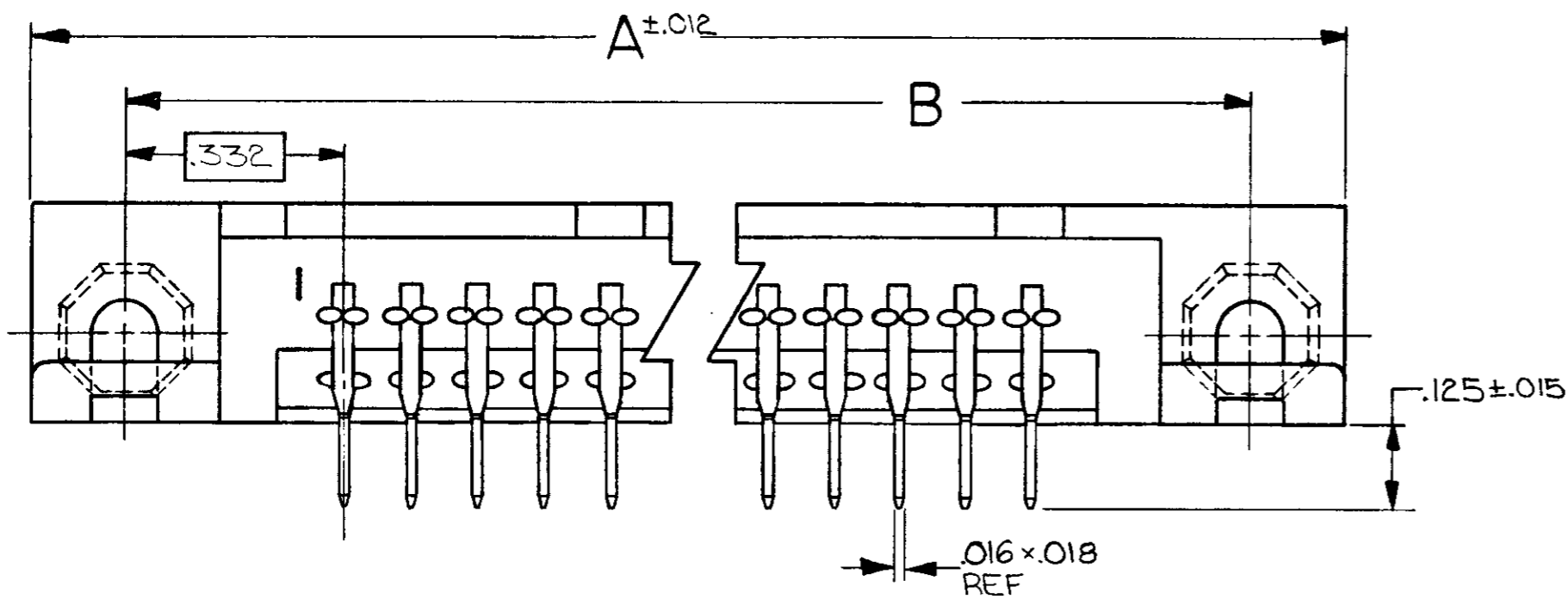


© COPYRIGHT 19 BY AMP INCORPORATED, HARRISBURG, PA.
ALL INTERNATIONAL RIGHTS RESERVED. AMP INCORPORATED PRODUCTS
COVERED BY U. S. AND FOREIGN PATENTS AND/OR PATENTS PENDING.

REVISIONS					
P	F	ZONE	LTR	DESCRIPTION	DATE APPROVED
✓		E		ECO-10-002921	PY 3-10 DM

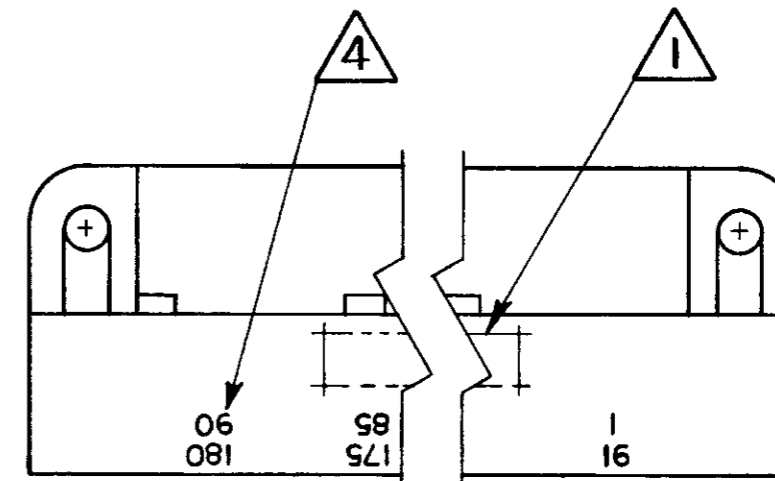
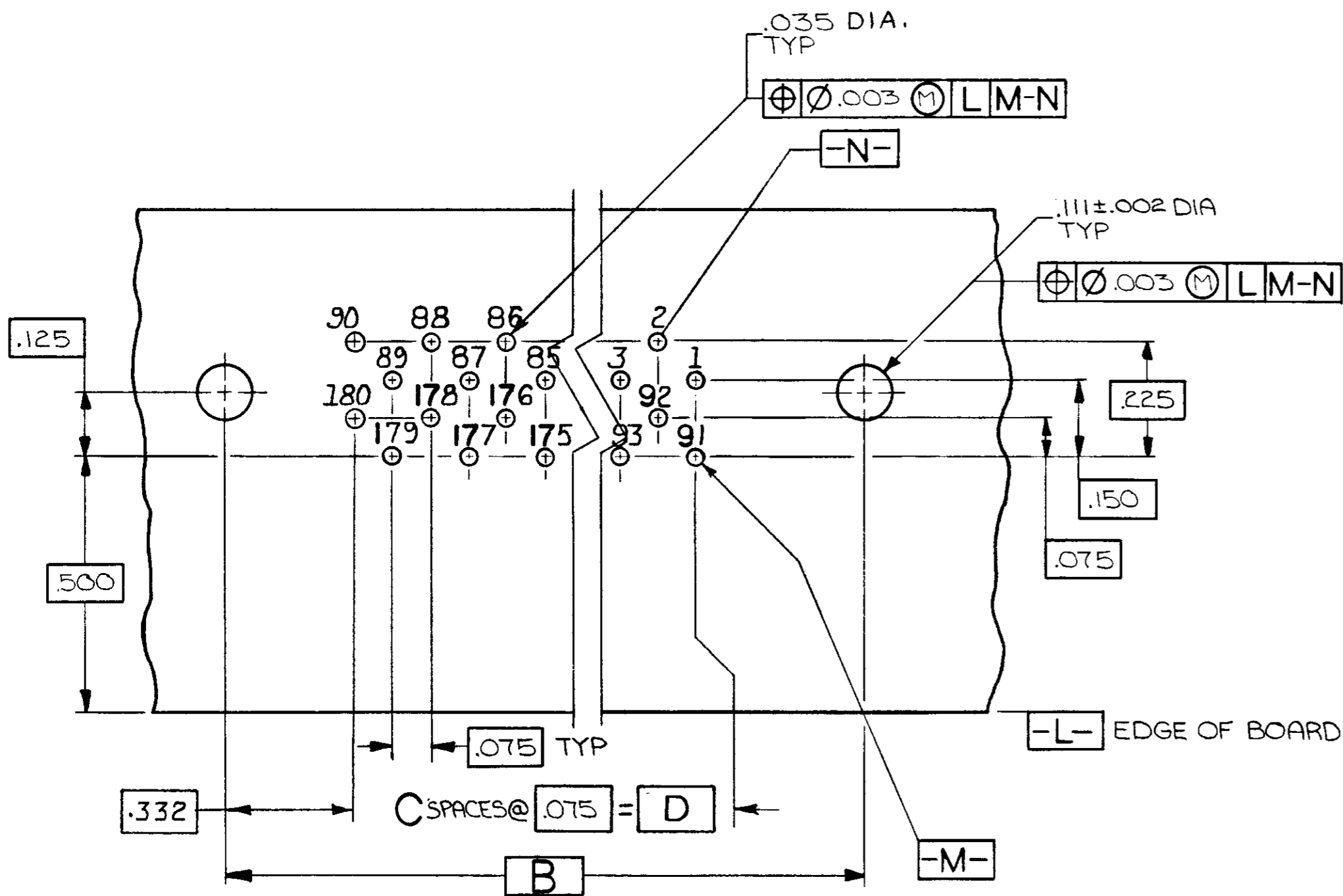


531124

UNLESS OTHERWISE SPECIFIED DIMENSIONS ARE IN INCHES. TOLERANCES ON: DECIMALS ±.010 ANGLES ±		CONTRACT NO 5-31-79	AMP INCORPORATED Harrisburg, Pa.	
MATERIAL 2 3	DR AM SHAPE	CHK 1/5/77	NAME PIN ASS'Y, RIGHT ANGLE 751 SERIES BOX CONNECTOR	
FINISH 3	APPD 1/5/77	APPD 1/5/77	SIZE C	CODE IDENT NO 00779
	DSGN APPD	OTHER APPD	DRAWING NO 531124	REV E
			SCALE 4-1	SHEET 1 OF 2

© COPYRIGHT 19 BY AMP INCORPORATED, HARRISBURG, PA.
ALL INTERNATIONAL RIGHTS RESERVED. AMP INCORPORATED PRODUCTS
COVERED BY U. S. AND FOREIGN PATENTS AND/OR PATENTS PENDING.

REVISIONS						
P	F	ZONE	LTR	DESCRIPTION	DATE	APPROVED
SEE SHT 1						



RECOMMENDED P.C. BOARD LAYOUT
(CONNECTOR SIDE)

- 1 "AMP" PART NUMBER, AND DATE CODE MARKED APPROX THIS AREA
- 2 HOUSING MATERIAL: GLASS FILLED POLYESTER COLOR-BLUE.
- 3 CONTACT MATERIAL: BRASS
FINISH: .000030 GOLD OVER .000050
NICKEL IN CONTACT AREA, TIN-LEAD PLATE
OVER NICKEL ON SOLDER TAILS.
- 4 NUMBERS & LINES INDICATING EVERY 5 CAVITIES MARKED ON MATING FACE. NUMBERS INDICATING EVERY 5 CAVITIES MARKED ON SIDE
- 5 KEY POSITION IDENTIFICATION MOLDED ON SURFACE SHOWN.

	6.675	89	7.340	7.630	180	1-531124-5
OBSOLETE	5.925	79	6.590	6.880	160	1- -4
	5.550	74	6.215	6.505	150	1- -3
OBSOLETE	4.425	59	5.090	5.380	120	1- -2
	4.050	54	4.715	5.005	110	1- -1
	3.675	49	4.340	4.630	100	1- -0
OBSOLETE	3.300	44	3.965	4.255	90	-9
OBSOLETE	2.925	39	3.590	3.880	80	-8
OBSOLETE	2.550	34	3.215	3.505	70	-7
	2.175	29	2.840	3.130	60	-6
	1.800	24	2.465	2.755	50	-5
	1.425	19	2.090	2.380	40	-4
	1.050	14	1.715	2.005	30	-3
OBSOLETE	.675	9	1.340	1.630	20	-2
	.300	4	.965	1.255	10	531124-1
	D	C	B	A	NO. OF POS.	PART NO

UNLESS OTHERWISE SPECIFIED DIMENSIONS ARE IN INCHES. TOLERANCES ON: DECIMALS ±.010 ANGLES ±	CONTRACT NO 6-4-79		AMP AMP INCORPORATED Harrisburg, Pa. NAME PIN ASS'Y, RIGHT ANGLE 751 SERIES BOX CONNECTOR			
	MATERIAL	DR <i>AM SHARPE</i> CHK <i>[Signature]</i>				
FINISH	APPD <i>[Signature]</i> APPD <i>[Signature]</i>	DSGN APPD	SIZE C	CODE IDENT NO 00779	DRAWING NO 531124	REV E
	OTHER APPD		SCALE 4-1	SHEET 2 OF 2		

单击下面可查看定价，库存，交付和生命周期等信息

[>>TE Connectivity\(泰科\)](#)