

4

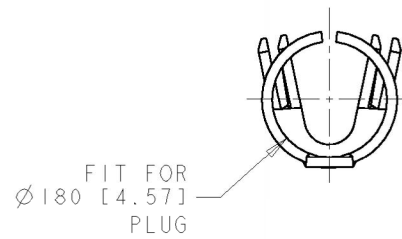
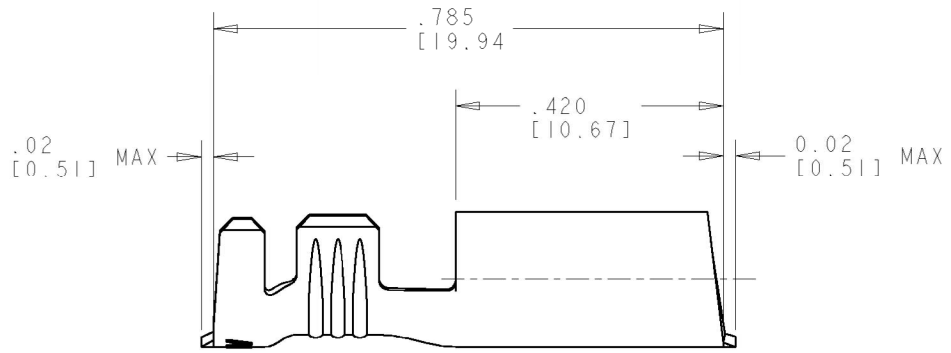
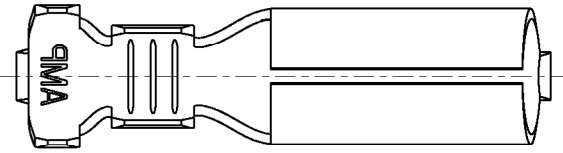
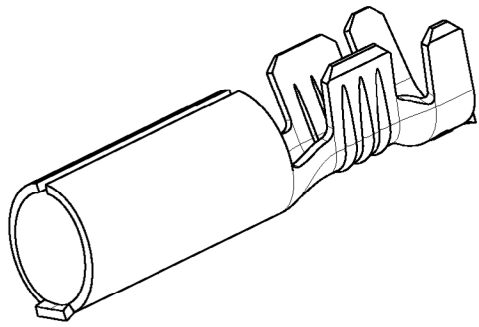
3

2

1

THIS DRAWING IS UNPUBLISHED. RELEASED FOR PUBLICATION 09-Aug-01  
© COPYRIGHT 2001 BY TYCO ELECTRONICS CORPORATION. ALL RIGHTS RESERVED.

LOC	DIST	REVISIONS					
E	B	P	LTR	DESCRIPTION	DATE	DWN	APVD
		G		EB00-0306-01	09AUG2001	AJB	-
		G1		REVISED PER ECR-19-012081	05AUG2019	PC	GG



	PHOSPHOR BRONZE TEMPER 4	150557-5	2
<b>OBSOLETE</b>	RED BRASS, TEMPER 6	150557-4	
<b>OBSOLETE</b>	PHOSPHOR BRONZE, TEMPER 2	150557-3	
	PHOSPHOR BRONZE, TEMPER 4	150557-0	
	FINISH	MATERIAL	PART NUMBER

1. WIRE CRIMP TO SUIT 16 - 12 AWG  
 INSULATION CRIMP TO SUIT DIA .120-.170 [3.04 - 4.32]  
 2 150557-5 FOR TYCO BRAZIL ONLY.

DIMENSIONS: INCH [mm]		TOLERANCES UNLESS OTHERWISE SPECIFIED: LINEAR ±0.5	
		Ø PLC ±0.1	
		1 PLC ±0.1	
		Ø PLC ±0.05	
		1 PLC ±	
MATERIAL SEE TABLE		FINISH -	

DWN	A. J. BEKEN	09AUG2001	TE Connectivity		
CHK	-	09AUG2001			
APVD	-	09AUG2001			
PRODUCT SPEC	-	-			
APPLICATION SPEC			NAME SHUR PLUG RECEPTACLE .180 [4.57] DIA		
WEIGHT	-	SIZE A3	CAGE CODE 00779	DRAWING NO C-150557	RESTRICTED TO -
CUSTOMER DRAWING			SCALE 5:1	SHEET 1 OF 1	REV G1

单击下面可查看定价，库存，交付和生命周期等信息

[>>TE Connectivity\(泰科\)](#)