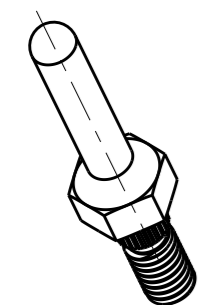
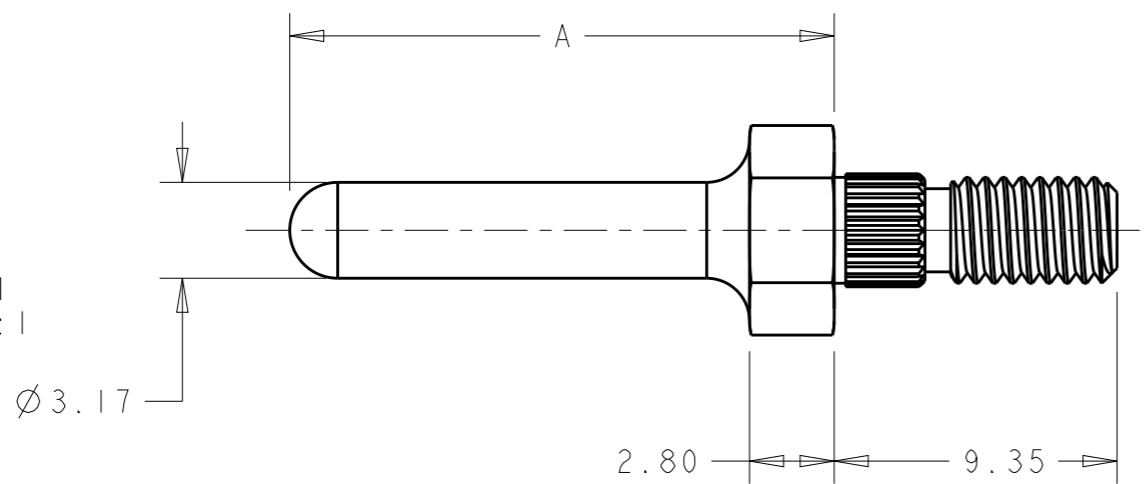


THIS DRAWING IS UNPUBLISHED. RELEASED FOR PUBLICATION 20
 © COPYRIGHT 20 BY - ALL RIGHTS RESERVED.

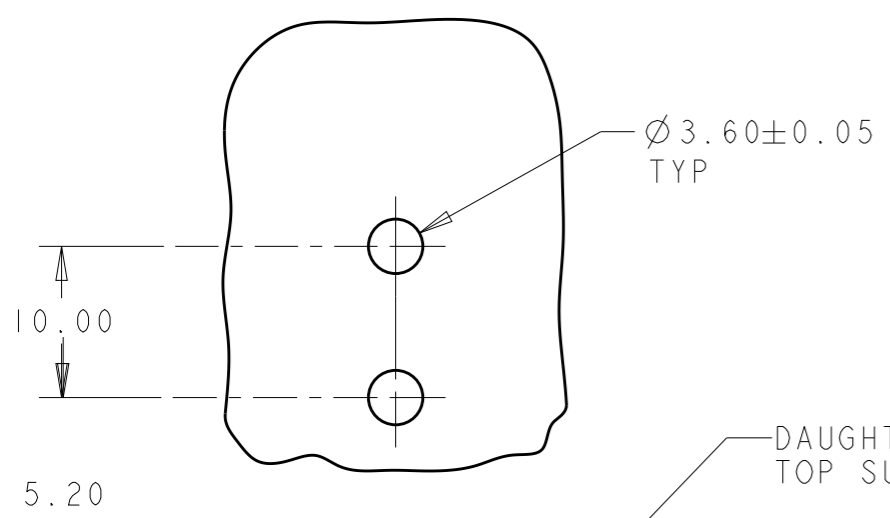
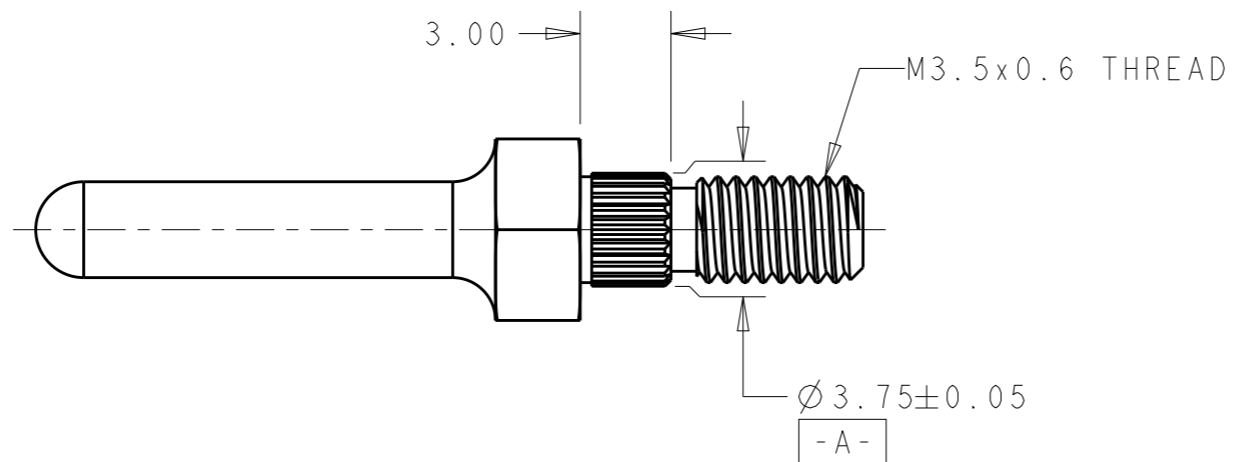
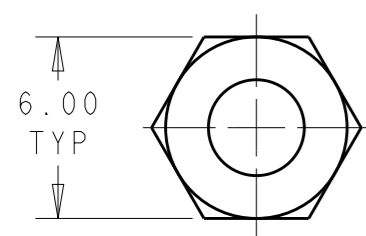
REVISIONS					
P	LTR	DESCRIPTION	DATE	DWN	APVD
	A	RELEASED PER ECO-09-022496	12OCT2009	RG	DO
	A1	REVISED PER ECR-16-003350	04MAR2016	RS	SZ
	A2	REVISED PER ECR-16-016119	21OCT2016	RS	SZ



1766663-1
SCALE 2:1




- 1 MATERIAL: BRASS,
- 2 FINISH: SILVER PLATE OVER NICKEL UNDERPLATE.
- 3. MINIMUM PC BOARD THICKNESS: 3.2mm (.125").
- 4. THIS PRODUCT HAS NOT COMPLETED A VALIDATION TEST.



DAUGHTERCARD PCB TOP SURFACE

23.00	FIRST MATE	1-1766663-0
21.00	GROUND	1766663-8
20.00	FIRST MATE	1766663-6
18.00	GROUND	1766663-2
16.00	POWER	1766663-1
A	DESCRIPTION	PART NUMBER

THIS DRAWING IS A CONTROLLED DOCUMENT.		DWN B. COSTELLO 12SEP2005	 TE Connectivity	
DIMENSIONS: mm		CHK G. D. DEFIBAUGH 10FEB06		
TOLERANCES UNLESS OTHERWISE SPECIFIED:		APVD G. R. DEFIBAUGH 10FEB06	NAME ICCON PIN, 3.17mm DIA., POWER/GUIDE	
0 PLC ±- 1 PLC ±0.5 2 PLC ±0.35 3 PLC ±- 4 PLC ±- ANGLES ±°		PRODUCT SPEC -	RESTRICTED TO -	
MATERIAL 1	FINISH 2	APPLICATION SPEC -	SIZE A3	CAGE CODE 00779
		WEIGHT -	DRAWING NO 1766663	
		CUSTOMER DRAWING	SCALE 2:1	SHEET 1 OF 1
			REV A2	

单击下面可查看定价，库存，交付和生命周期等信息

[>>TE Connectivity\(泰科\)](#)