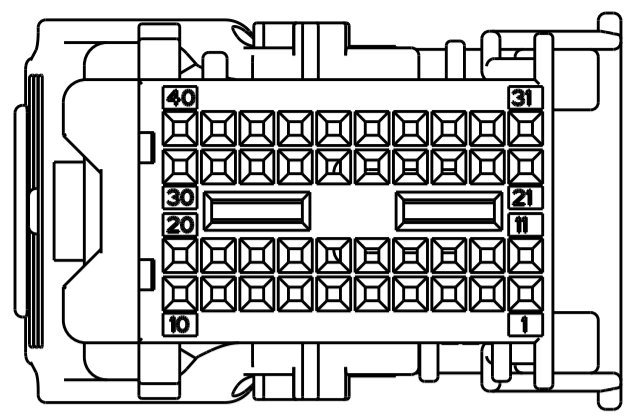
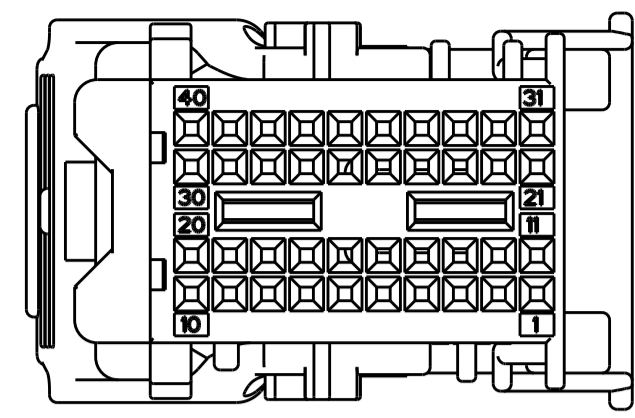


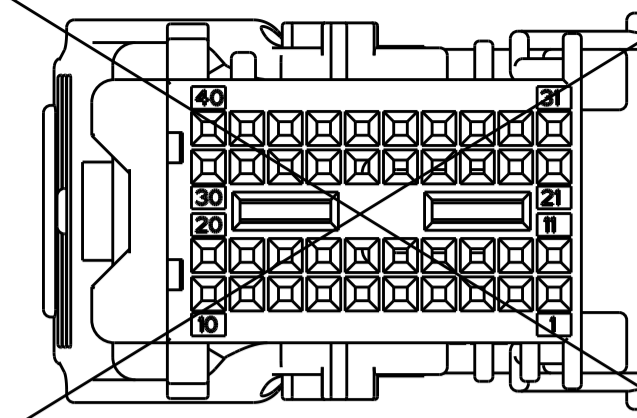
KEYING OPTION, SCALE: 2:1



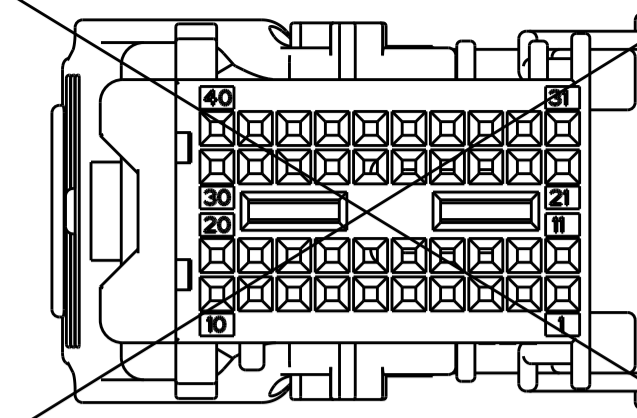
ASSY P/N: 2098633-1
KEYING: A



ASSY P/N: 2098633-2
KEYING: B

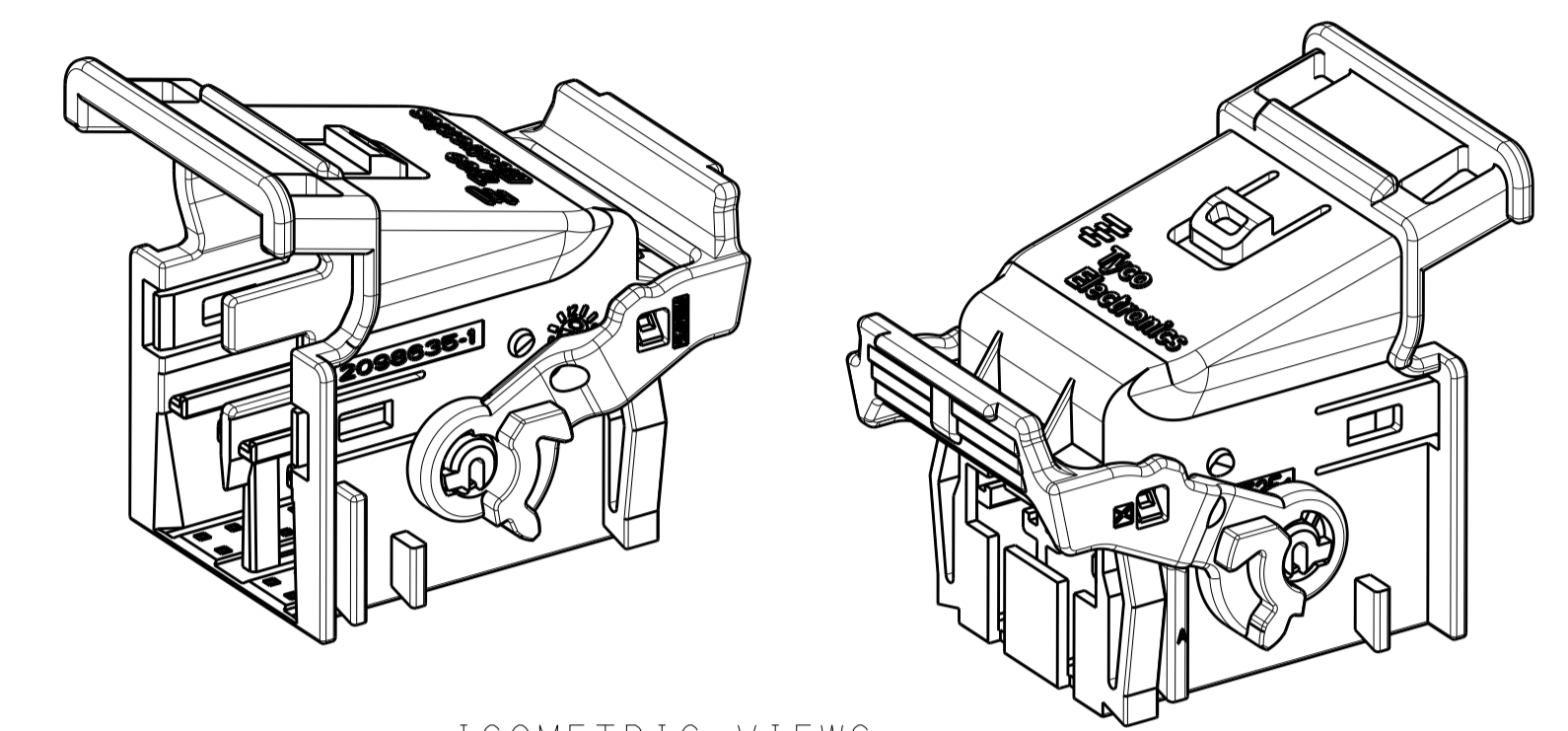
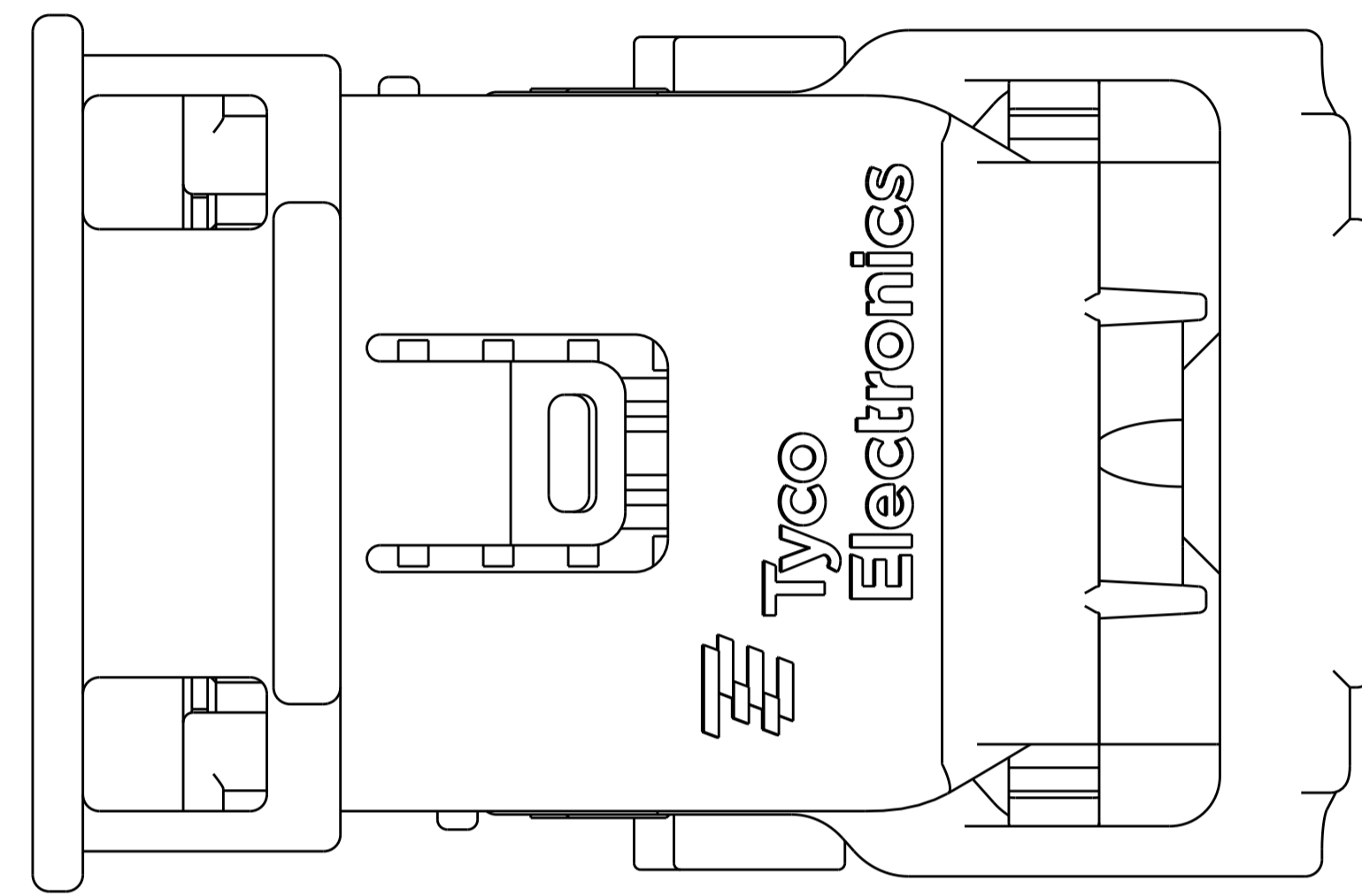


ASSY P/N: 2098633-3
KEYING: C

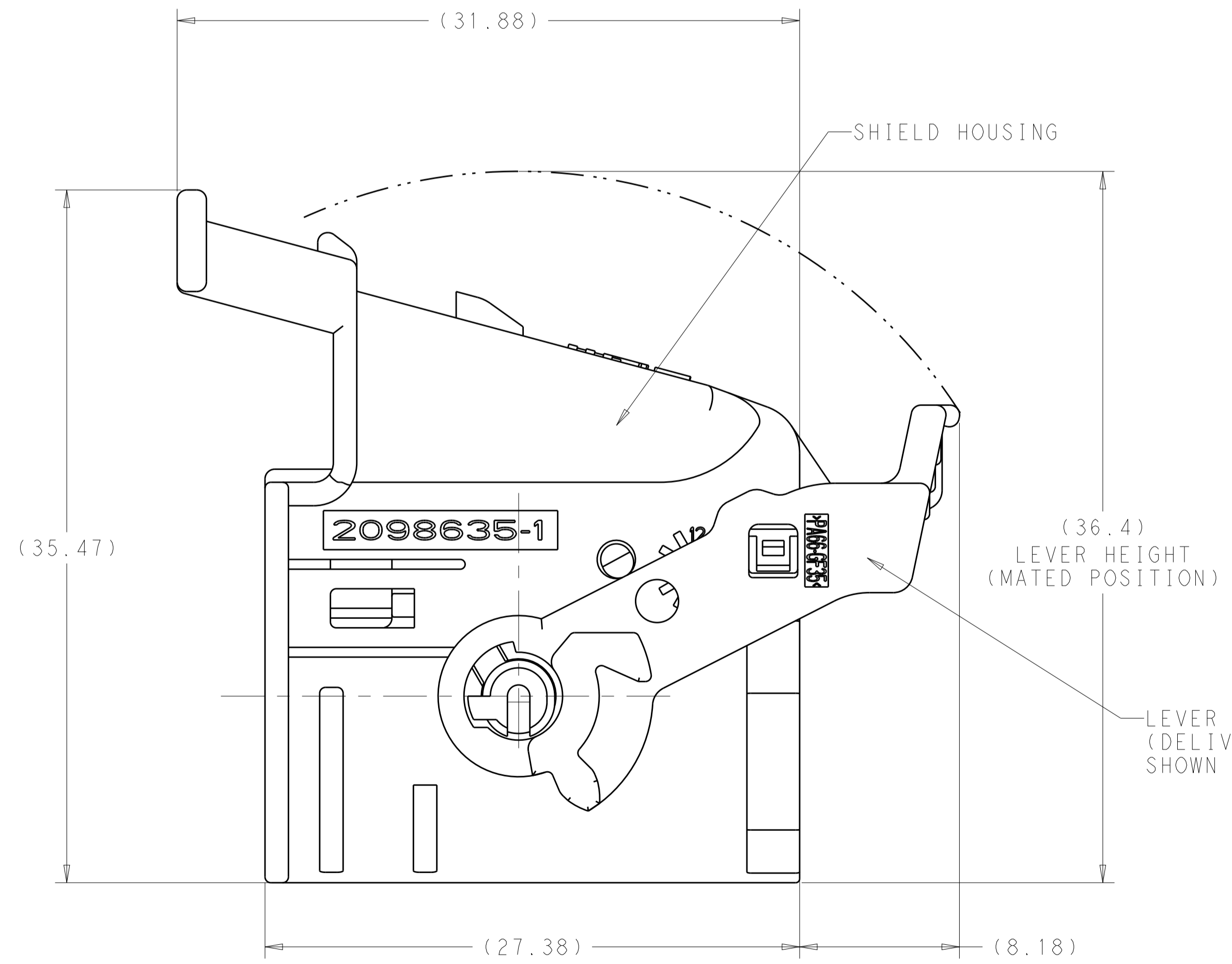
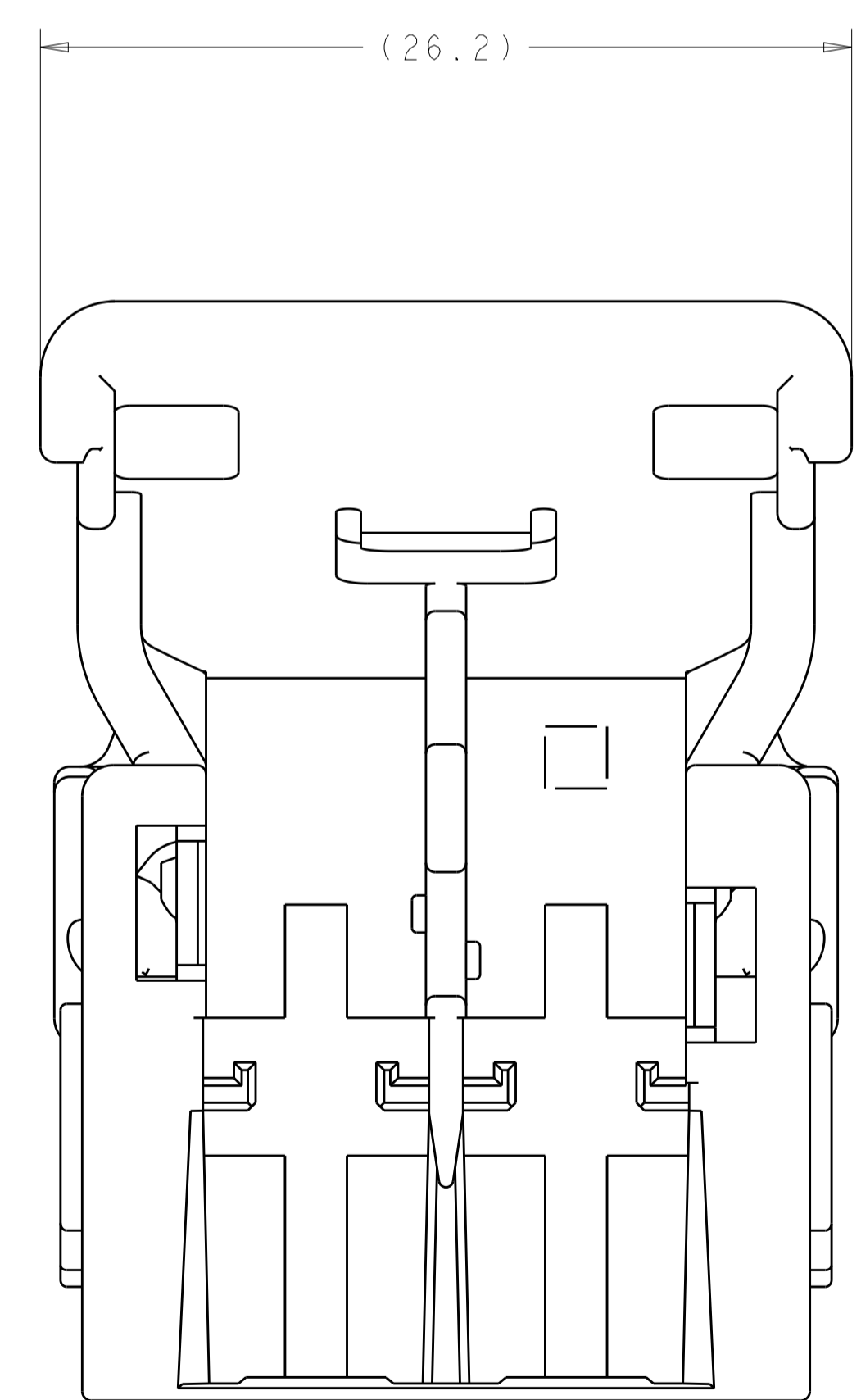


ASSY P/N: 2098633-4
KEYING: D

REVISIONS					
P.	LTN.	DESCRIPTION	DATE	DMN.	APVD.
A		REVISED PER ECR-12-010595	11JUN2012	MBH	RH
B		REVISED PER ECO-15-011566	15SEP2015	DLD	CJS
B1		REVISED PER ECO-18-014182	11SEP2018	JMS	CS



ISOMETRIC VIEWS
SCALE 2:1



- △ MATERIAL: SHIELD - 35% GLASS REINFORCED NYLON.
SEE TABLE BELOW FOR COLOR.
LEVER - 35% GLASS REINFORCED NYLON.
COLOR: DARK GRAY.
- 2. REFERENCE: CARRIER 2098634-1 AND 2098634-2
USED WITH THIS ASSEMBLY.
- 3. REFERENCE: INTERFACE DETAIL PER TE DRAWING NO 2098633-MXCU.

BLACK	D	2098633-4
BLUE	C	2098633-3
GRAY	B	2098633-2
BLACK	A	2098633-1
COLOR	KEYING OPT.	PART NUMBER

THIS DRAWING IS A CONTROLLED DOCUMENT.		DMN: S. VINAY 22MAR2010	
DIMENSIONS: mm		CHK: M. GALEN 22MAR2010	
TOLERANCES UNLESS OTHERWISE SPECIFIED:		APVD: M. GALEN 22MAR2010	NAME: SHIELD ASSEMBLY, 40 POSITION GENERATION Y LAC
0 PLC	±	PRODUCT SPEC	SIZE: A1
1 PLC	±	APPLICATION SPEC	CAGE CODE: 00779
2 PLC	±	WEIGHT	SCALE: 5:1
3 PLC	±	CUSTOMER DRAWING	SHEET 1 OF 1
4 PLC	±		REV: B1
ANGLES	±1°		
FINISH	-		

单击下面可查看定价，库存，交付和生命周期等信息

[>>TE Connectivity\(泰科\)](#)